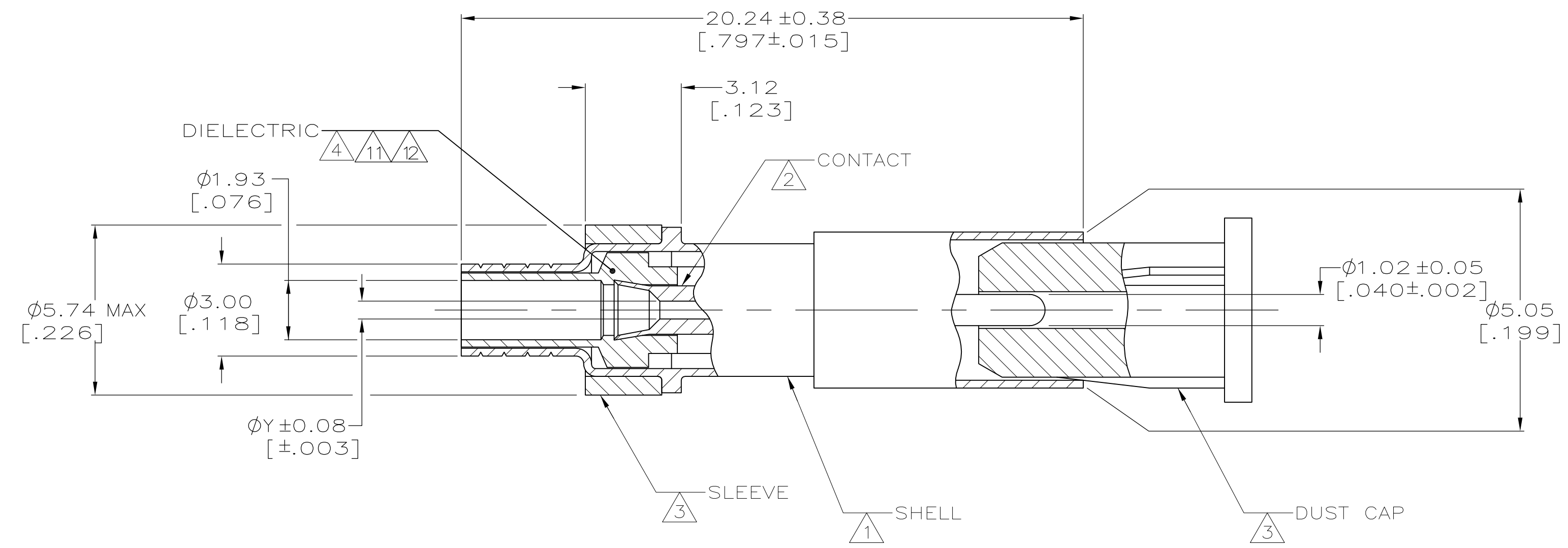


LOC		DIST		REVISIONS			
REV	DATE	DESCRIPTION	DATE	BY	APPV		
AV	11MAY05	REVISED PER EC OS14-0163-05		BM	JL		
AV1	09SEP09	REVISED PER ECO-09-020935		KK	AEG		

- ① BRASS PER QQ-B-626.
- ② BERYLLIUM COPPER PER ASTM-B-196
- ③ NYLON PER ASTM-D-4066, BLACK
- ④ POLYMETHYLPENTENE GENERAL PURPOSE, NATURAL
- ⑤ 0.00076[.000030] MINIMUM GOLD PER MIL-G-45204.
- ⑥ 0.00254[.000100] MINIMUM GOLD PER MIL-G-45204.
- ⑦ SHIELDED CABLE #26=NAS-702 CLASS A & C, AND MIL-W-16878 TYPES E & EE, SHIELDED CABLE #24=NAS-702 CLASS A & C, AND MIL-W-16878 TYPES E & EE, SHIELDED CABLE #22=NAS-702 CLASS C, AND MIL-W-16878 TYPE E, AND MIL-C-7078A TYPE I NUMBER 1 DIELECTRIC .068 O.D.
- ⑧ RG-174/U, RG-179A/U, RG-187/U, AND 21-598.
- ⑨ SHIELDED CABLE #26=NAS-702 CLASS A, AND MIL-C-7078A TYPE II.
- 10. SEE IS 408-1770
- ⑪ NYLON PER ASTM-D-4066, NATURAL
- ⑫ OBSOLETE PARTS: OBSOLETE CIS STREAMLINING PER D.RENAUD/D.SINISI



OBSOLETE	⑤	⑤	.034 OUNCES	-	-	0.81[.032]	-	-	-	1-201144-8
	-	-	1.65 GRAMS MAX	⑧	45368-2	-	328666	201142-2	201144-1	1-201144-1
⑫ OBSOLETE	⑥	⑥	.034 OUNCES	-	-	0.81[.032]	-	-	-	201144-7
OBSOLETE	⑥	⑥	.034 OUNCES	-	-	0.58[.023]	-	-	-	201144-6
	⑤	⑤	.034 OUNCES	-	-	0.81[.032]	-	-	-	201144-5
	⑤	⑤	.034 OUNCES	-	-	1.07[.042]	-	-	-	201144-3
	⑤	⑤	.034 OUNCES	-	-	0.58[.023]	-	-	-	201144-1
CONTACT PLATING	SHELL PLATING	WEIGHT	CABLE OR WIRE SIZE	CRIMP TOOL	Y	③ FERRULE QTY=1	② SPRING RETENTION QTY=1	① SOCKET ASSY QTY=1	PART NUMBER	

THIS DRAWING IS A CONTROLLED DOCUMENT.

DIMENSIONS: mm [INCHES]	TOLERANCES UNLESS OTHERWISE SPECIFIED:	DIN J. LIPPERT 18 DEC 89	Tyco Electronics Corporation Harrisburg, Pa 17105-3608
0 PLC ± -	1 PLC ± -	22 FEB 90	
2 PLC ± -	3 PLC ± 0.20(.008)	22 FEB 90	NAME: B. ADAMS
4 PLC ± -	ANGLES ± -		PRODUCT SPEC: 108-12021
MATERIAL: -	FINISH: -	APPLICATION SPEC: -	SIZE: A1
CUSTOMER DRAWINGS		WEIGHT: -	SCALE: 8:1
		RESTRICTED TO: -	SHEET 1 OF 1
			REV AV1