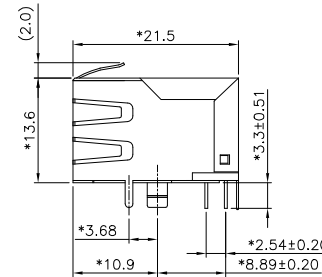
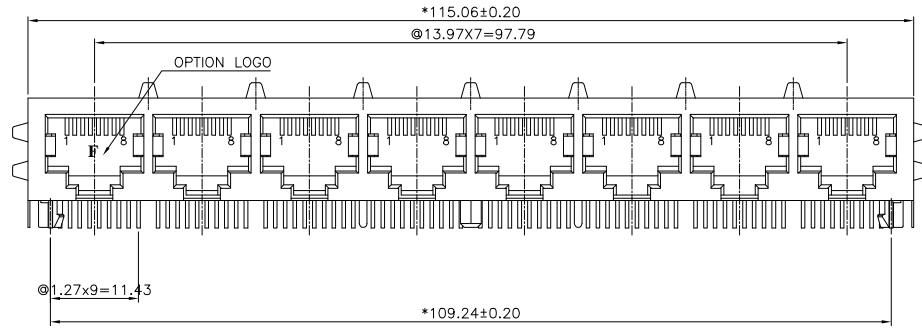
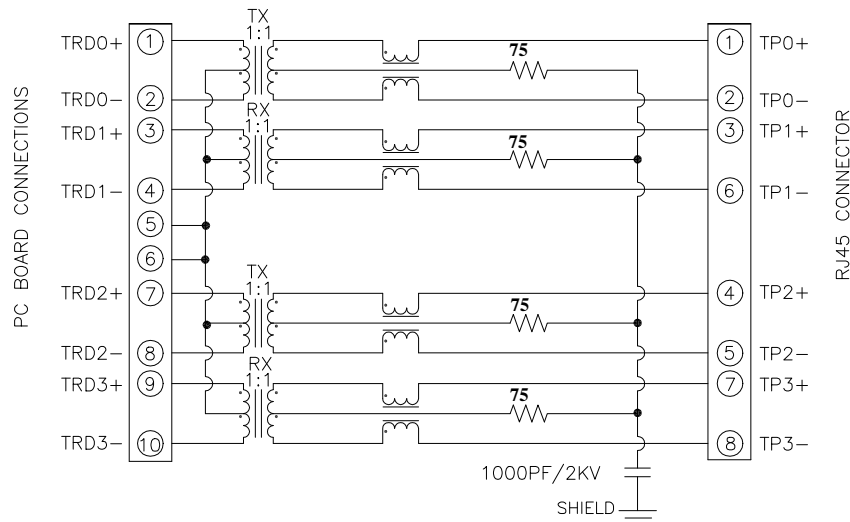


REVISION RECORD				
REV	ECCO	DESCRIPTION	DRFT	CHKD



Schematic:



NOTES:

Characteristics Description:

1. RJ45 10/1000 Base-Tx Transformer Jack With Transformer/ Impedance Resistor/High Voltage Capacitor.
2. Size Same As RJ-45 Modular Jack To Save PCB Board Space.
3. Reduce EMI Radiation, Improve EMI Performance.
4. Designed For Network Interface Card Application.
5. Designed To Meet IEEE 802.3u Requirement.
6. Designed For 100 Base Transmission over UTP-5 Cable.
7. Operation Temperature Range: 0°C To 70°C

Electrical Specification:

1. Inductance At 100 KHZ, 0.1Vrms DC Bias: 350 uH MIN
2. C W/W (PF MAX): 40 PF
3. Leakage Inductance At 100 KHZ DC 100 mV: 0.3 uH MAX
4. Insertion Loss: 1.0 dB MAX @ 1-60 MHZ
5. Return Loss: 16 dB MIN.LOAD 100 OHM @ 1-30 MHZ  
13.5 dB MIN.LOAD 100 OHM @ 30-40 MHZ  
11.5 dB MIN.LOAD 100 OHM @ 40-50 MHZ  
10 dB MIN.LOAD 100 OHM @ 50-80 MHZ
6. Cross Talk: 40 dB MIN @ 1-30 MHZ  
35 dB MIN @ 30-60 MHZ  
30 dB MIN @ 60-100 MHZ
7. ISOLATION 60HZ: INPUT TO OUTPUT 1500Vrms, 1 MINUTE.

Mechanical:

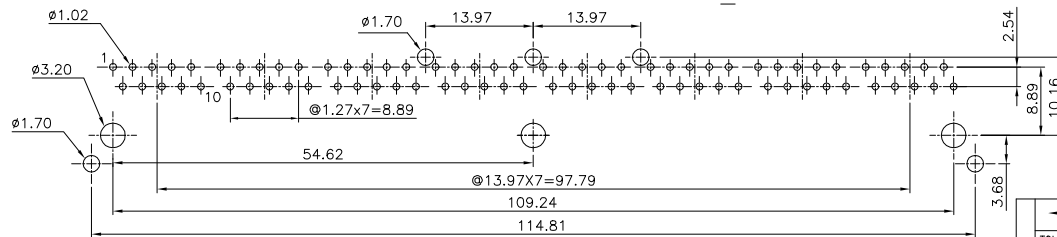
1. Housing Material : Glass Filled Polyester UL94V-0.
2. Contact Mateial : Phosphor Bronze t=0.35mm.
3. Plating : 1: Contact Area- Selectine Gold Plating.  
2: Tails-Tin-Lead Over Nickel.
4. Operating Life : 750 Cycles Min.
5. Pcb Retention Pre-Solder 1 Lb Min.
6. Pcb Retention Post-Solder : 10 Lbs Min.

Environmental:

1. Storage: -40°C To +85°C.
- Mates With Modular Plug Conforming To Fcc Part 68, Subpart F.

PART NUMBER: ESTAB-XXV GXX

- F5-W/TOP SIDE&TABS      1- 3u,"    2- 6u,"    3-15u"  
17-W/O TAB                4-30u"    5-50u"  
                                     0-W/O LOGO  
                                     1-W/"F" LOGO



PC Board Layout Component Side Shown

DETACHED LISTS	MM (INCH)	DFTO SHJ	DATE 01/20/05'	FULL RISE ELECTRONIC CO., LTD	
	TOLERANCES EXCEPT AS NOTED	CHKDSHJ	DATE 2005/3/7		
	MM	MFO	DATE	TITLE	
	.0 ±0.20 ±	APPVLLUSHENG	DATE 2005/3/7		
.00 ±0.15 ±	MATERIAL :	QT'Y :	DRAWING NO. GE5T3212		
.000 ±0.075 ±	FINISH :	SCALE : 10:7			SIZE A3
ANGLES ±	THIRD ANGLE PROJECTION	SCALE : 10:7	DO NOT SCALE DRAWING		REV 0
			SHEET X OF Y		03/05/05