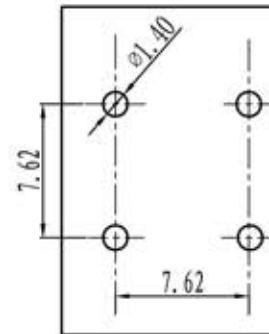
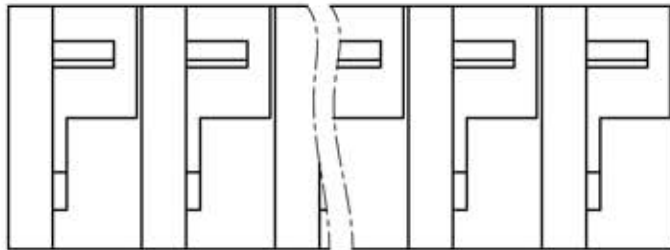
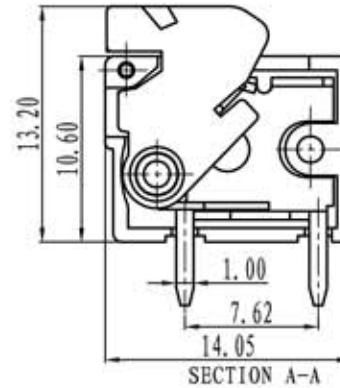
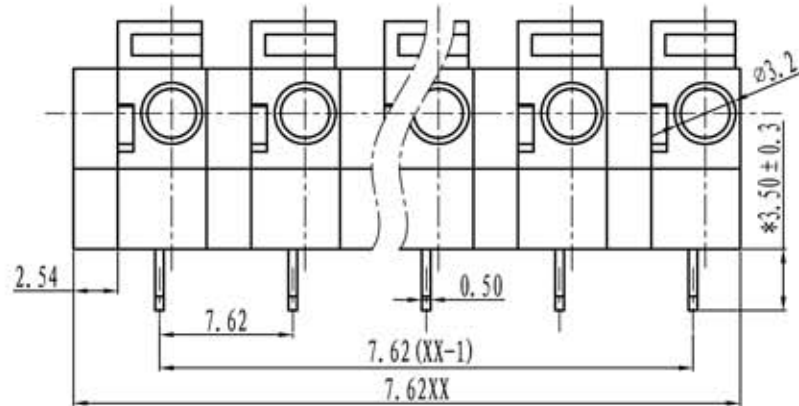


# euro-block

product specification



### Electrical

Standard: UL-IEC  
 Rated voltage: 300V-250V  
 Rated current: 10A-15A  
 Insulation resistance: 500M  $\Omega$ /DC500V  
 Wire range: 22-16AWG 1.5mm<sup>2</sup>  
 Withstanding voltage: AC2000V/1Min

### Mechanical

Temp.Range: -40°C~+105°C  
 MAX soldering: +250°C for 5 sec  
 Strip length: 10mm

### Dimensions

Pitch: 7.62mm  
 Poles: 1p-xxp

### Material

Housing: PA66, UL94V-0  
 Wire guard: stainless steel (SUS301)  
 Pin header: Brass, Tin plated

TOLERANCES EXCEPT AS NOTED

variable range	linear dimension					fillet	chamfer	short angle sid				≡	-	□	//	⊥	
	to 6	over 6 to 30	over 30 to 120	over 120 to 480	over 480 to	all	over 6 to 6	over 10 to 10	over 50 to 50	over 120 to 120	all						over 5 to 5
tolerance	±0.1	±0.2	±0.3	±0.5	±0.9	±0.2	±0.5	±1	1'	30'	20'	10'	0.5	0.025	0.06	0.12	0.4

UNITS	mm	SIZE	A4	SCALE	FIRST ANGLE PROJECTION	
					NAME	MRM7-7.62-H