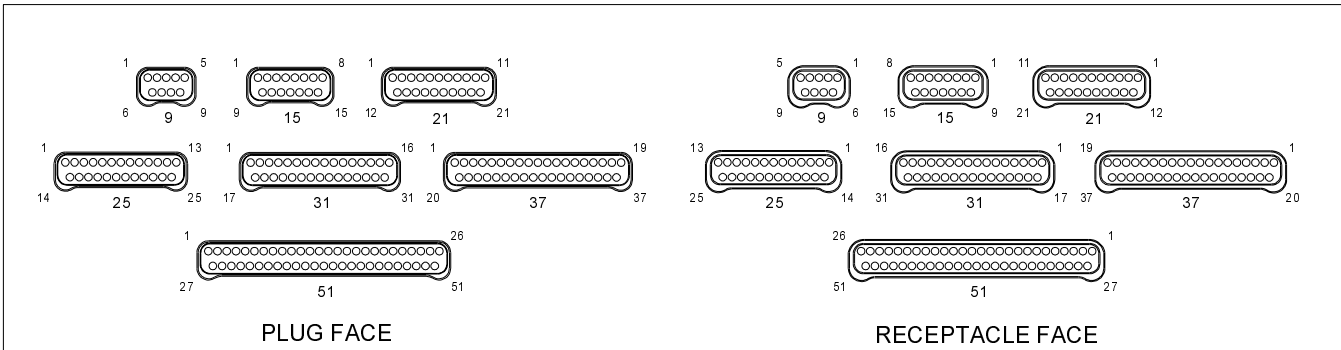
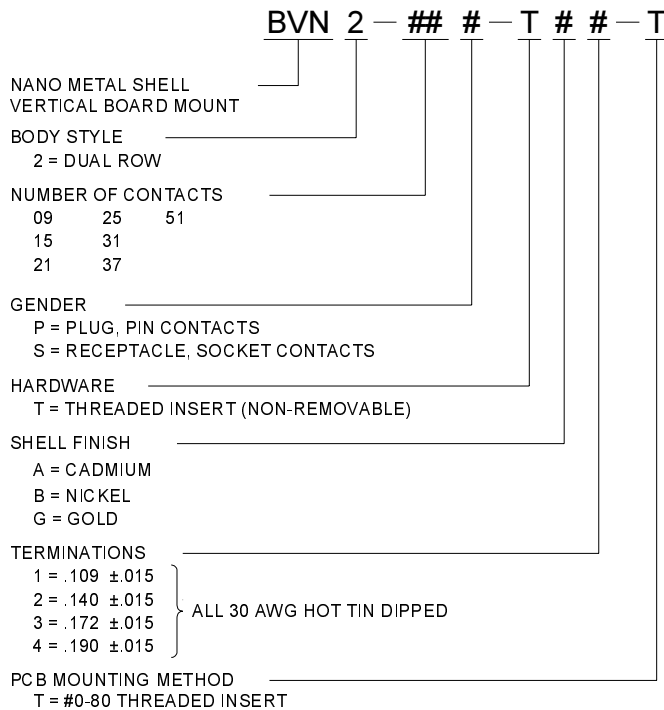


2.2 NANO CONNECTORS / MOTS



PLUG FACE

RECEPTACLE FACE



1. MATERIALS:

SHELL - ALUMINUM PER QQ-A-200/8, QQ-A-250/11, OR QQ-A-591
 INSULATOR - LIQUID CRYSTAL POLYMER OR POLYPHENYLENE
 SULFIDE PER MIL-M-24519
 CONTACT - BERYLLIUM COPPER

2. FINISH:

SHELL - CADMIUM PER QQ-P-416, TYPE II, CLASS 3 OVER
 ELECTROLESS NICKEL PER AMS 2404
 OR ELECTROLESS NICKEL PER AMS 2404.
 CONTACT - GOLD PER MIL-G-45204, TYPE II, GRADE C,
 CLASS I OVER NICKEL PER QQ-N-290.

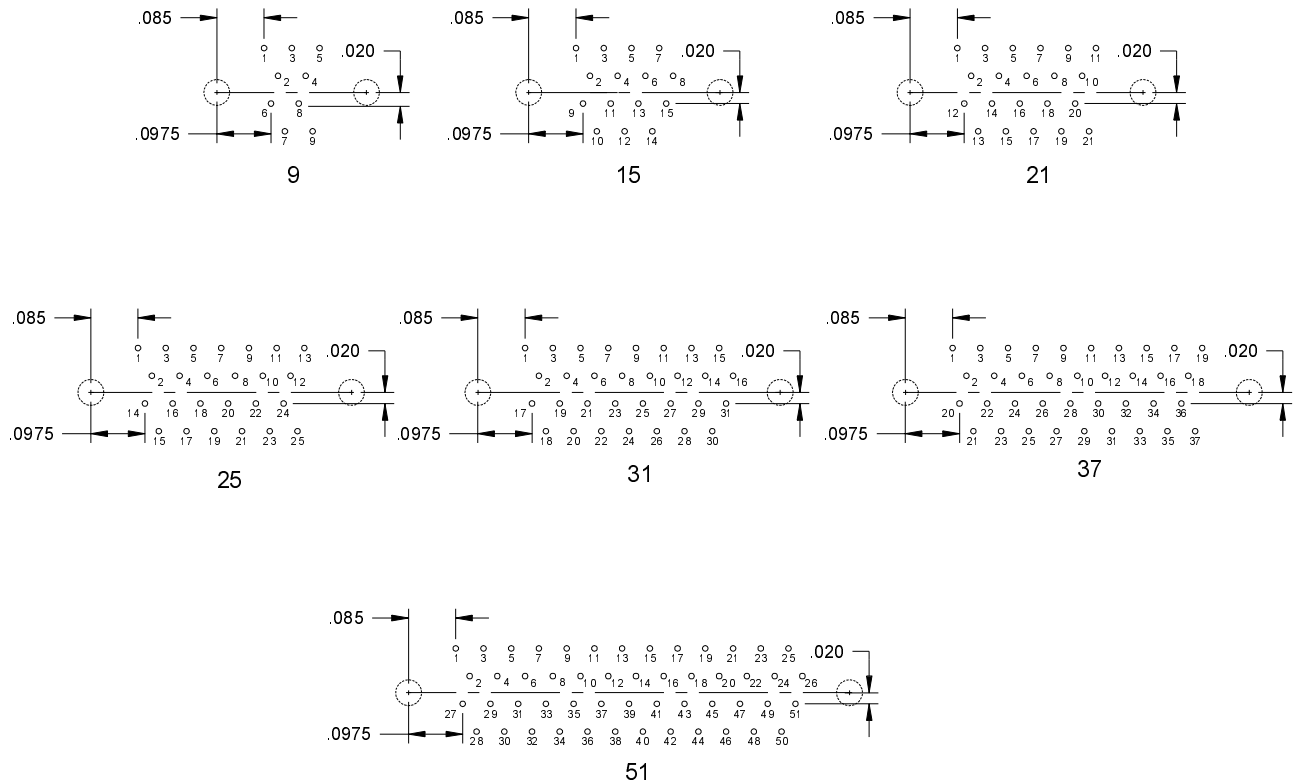
3. SPECIFICATIONS:

CURRENT RATING 1 AMP MAX
 TEMPERATURE RATING -55° C TO +125° C
 INSULATION RESISTANCE 5000 MEGOHMS
 DWV AT SEA LEVEL 250 VAC
 DWV AT 70,000 FT ALTITUDE --- 100 VAC
 CONTACT RESISTANCE 30 mV DROP @ 1 a, 10 mA
 (BASED ON SOLID WIRE)
 CONTACT RETENTION 2 LBS AXIAL LOAD
 ENGAGEMENT FORCE 5 oz MAX
 SEPARATION FORCE 0.4 oz MIN

4. ADDITIONAL INFORMATION:

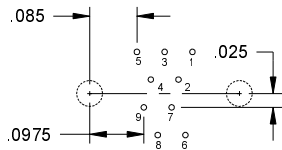
FOR OTHER TERMINATIONS, CONTACT CRISTEK.

CRISTEK INTERCONNECTS, INC. www.cristek.com 1301 S. Lewis St. Anaheim, CA 92805 Phone: (714) 618-2000 FAX: (714) 535-4897	FILENAME NANO METAL SHELL DUAL ROW VERTICAL BOARD MOUNT	DWG. NO. BVN2	
	DWG. NO. ADS-BVN2-2	CODE IDENT NO. 67720	SHT 2 OF 4
TOLERANCE: .XXX ±.005 .XX ±.01 ANGLE ±1°			

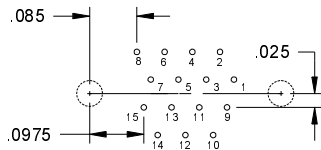


BVN2 PLUG PCB LAYOUTS (BOTTOM VIEW OF RECEPTACLE)
 .050 X .050 GRID PATTERN OFFSET .025 (EACH ROW)

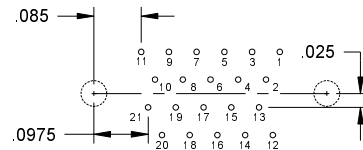
CRISTEK INTERCONNECTS, INC. www.cristek.com 1301 S. Lewis St. Anaheim, CA 92805 Phone: (714) 618-2000 FAX: (714) 535-4897	TITLE	DWG. NO. BVN2		
		CODE IDENT NO. 67720	SHT 3 OF 4	REV A
	FILENAME	TOLERANCE: .XXX ±.005 .XX ±.01 ANGLE ±1°		
	NANO METAL SHELL DUAL ROW VERTICAL BOARD MOUNT			
	ADS-BVN2-3			



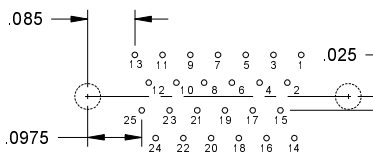
9



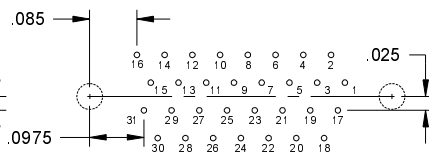
15



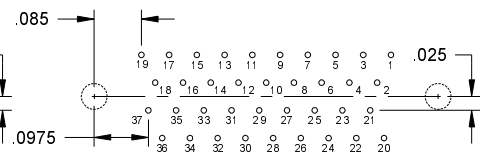
21



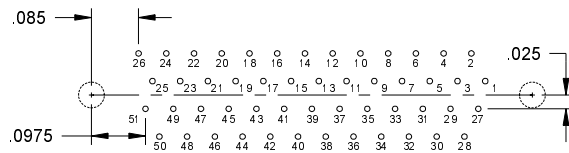
25



31



37



51

BVN2 RECEPTACLE PCB LAYOUTS (BOTTOM VIEW OF PLUG)
 .050 X .050 GRID PATTERN OFFSET .025 (EACH ROW)

CRISTEK INTERCONNECTS, INC. www.cristek.com 1301 S. Lewis St. Anaheim, CA 92805 Phone: (714) 618-2000 FAX: (714) 535-4897	TITLE	DWG. NO. BVN2		
	FILENAME ADS-BVN2-4	CODE IDENT NO.	SHT	REV
		67720	4 OF 4	A
		TOLERANCE: .XXX ±.005 .XX ±.01 ANGLE ±1°		