

Contents

| | | |
|----------|-----------------------------------------------------------|-----------|
| 1 | Electrical data | 3 |
| 1.1 | Maximum ratings | 3 |
| 1.2 | Thermal data | 3 |
| 2 | Electrical characteristics | 4 |
| 2.1 | Static | 4 |
| 2.2 | Dynamic | 4 |
| 3 | Impedance | 5 |
| 4 | Typical performance | 6 |
| 5 | Test circuit | 8 |
| 6 | Package mechanical data | 10 |
| 7 | Marking, packing and shipping specifications | 12 |
| 8 | Revision history | 13 |

1 Electrical data

1.1 Maximum ratings

($T_{\text{CASE}} = 25\text{ °C}$)

Table 2. Absolute maximum ratings

| Symbol | Parameter | Value | Unit |
|-----------------------------------|-----------------------------------------------------------|-------------|--------------------|
| $V_{(\text{BR})\text{DSS}}^{(1)}$ | Drain source voltage | 125 | V |
| V_{DGR} | Drain-gate voltage ($R_{\text{GS}} = 1\text{ M}\Omega$) | 125 | V |
| V_{GS} | Gate-source voltage | ± 20 | V |
| I_{D} | Drain current | 40 | A |
| P_{DISS} | Power dissipation | 625 | W |
| T_{J} | Max. operating junction temperature | 200 | $^{\circ}\text{C}$ |
| T_{STG} | Storage temperature | -65 to +150 | $^{\circ}\text{C}$ |

1. $T_{\text{J}} = 150\text{ °C}$

1.2 Thermal data

Table 3. Thermal data

| Symbol | Parameter | Value | Unit |
|-------------------|------------------------------------|-------|----------------------|
| R_{thJC} | Junction - case thermal resistance | 0.28 | $^{\circ}\text{C/W}$ |

2 Electrical characteristics

$T_{CASE} = +25\text{ }^{\circ}\text{C}$

2.1 Static

Table 4. Static (per side)

| Symbol | Test conditions | | | Min. | Typ. | Max. | Unit |
|---------------|-----------------------------------------------------------------|--------------------------|--|------|------|------|---------------|
| $V_{(BR)DSS}$ | $V_{GS} = 0\text{ V}$ | $I_{DS} = 100\text{ mA}$ | | 125 | | | V |
| I_{DSS} | $V_{GS} = 0\text{ V}$ | $V_{DS} = 50\text{ V}$ | | | | 50 | μA |
| I_{GSS} | $V_{GS} = 20\text{ V}$ | $V_{DS} = 0\text{ V}$ | | | | 250 | nA |
| $V_{GS(Q)}$ | $V_{DS} = 10\text{ V}$ | $I_D = 250\text{ mA}$ | | 1.5 | 2.5 | 4.0 | V |
| $V_{DS(ON)}$ | $V_{GS} = 10\text{ V}$ | $I_D = 10\text{ A}$ | | | | 3.0 | V |
| G_{FS} | $V_{DS} = 10\text{ V}$ | $I_D = 5\text{ A}$ | | 5 | | | S |
| C_{ISS} | $V_{GS} = 0\text{ V}$ $V_{DS} = 50\text{ V}$ $f = 1\text{ MHz}$ | | | | 468 | | pF |
| C_{OSS} | | | | | 206 | | pF |
| C_{RSS} | | | | | 16 | | pF |

2.2 Dynamic

Table 5. Dynamic

| Symbol | Test conditions | Min. | Typ. | Max. | Unit |
|-----------|-----------------------------------------------------------------------------------------------------------|------|------|------|------|
| P_{OUT} | $V_{DD} = 50\text{ V}$, $I_{DQ} = 2 \times 250\text{ mA}$, $P_{IN} = 4\text{ W}$, $f = 175\text{ MHz}$ | 300 | 390 | | W |
| h_D | $V_{DD} = 50\text{ V}$, $I_{DQ} = 2 \times 250\text{ mA}$, $P_{IN} = 4\text{ W}$, $f = 175\text{ MHz}$ | 55 | 68 | | % |

3 Impedance

Figure 2. Current conventions

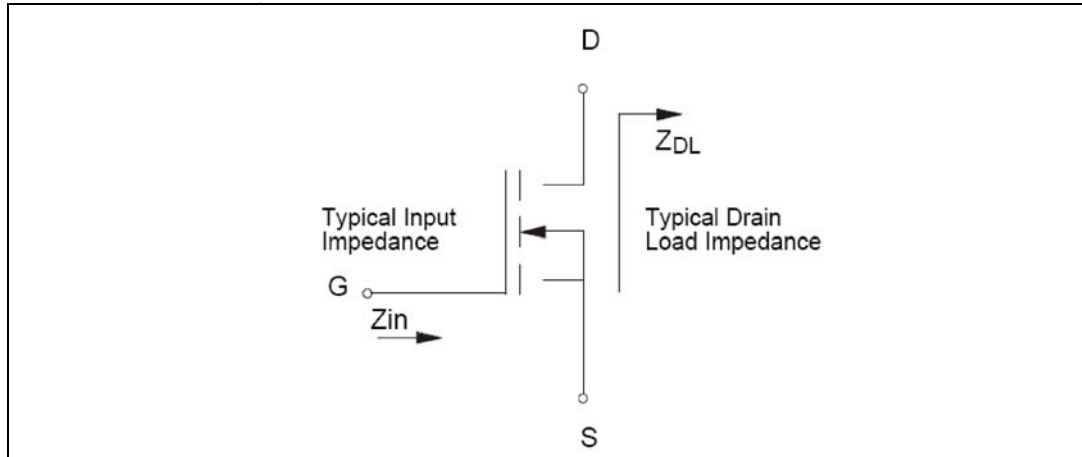


Table 6. Impedance data

| Freq. (MHz) | Z_{IN} (Ω) | Z_{DL} (Ω) |
|-------------|-----------------------|-----------------------|
| 175 MHz | $2.0 - j2.0$ | $3.5 + j5.2$ |

Note: Measured gate to gate and drain to drain, respectively.

4 Typical performance

Figure 3. Capacitances vs drain supply voltage

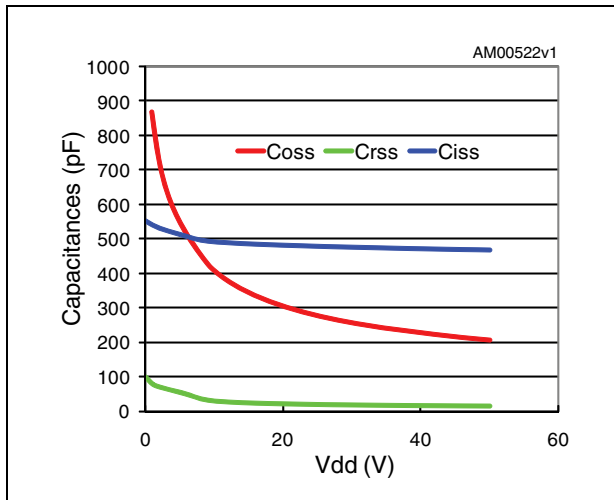


Figure 4. Output power vs drain supply voltage

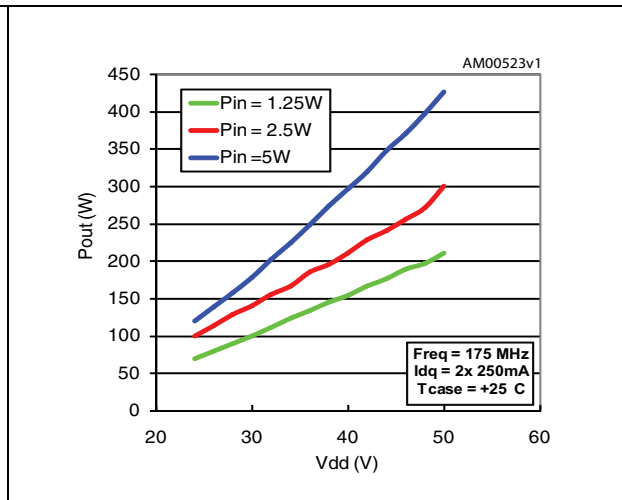


Figure 5. Output power vs gate voltage

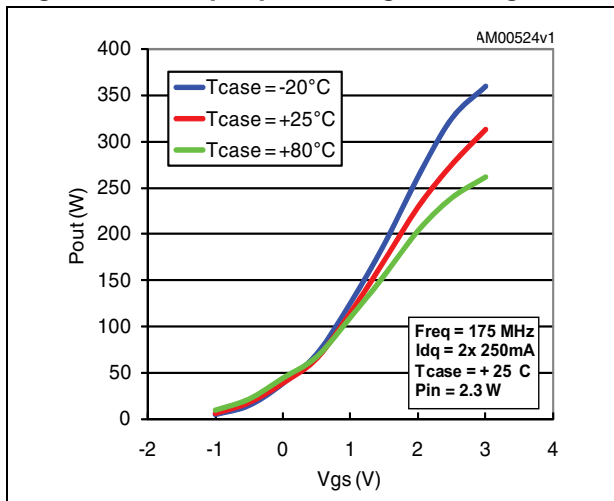


Figure 6. Output power vs input power

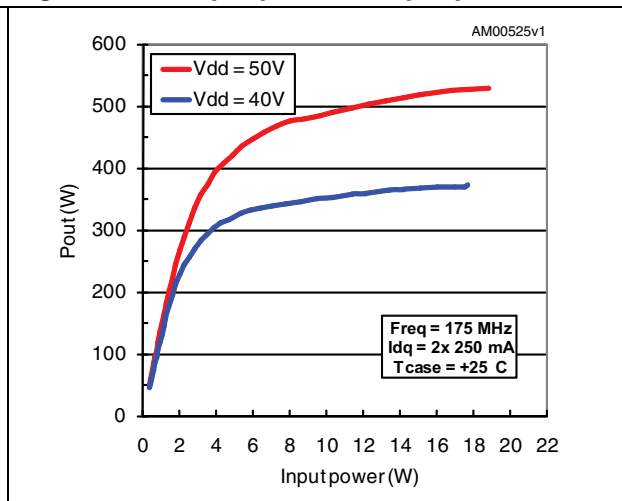


Figure 7. Output power vs input power and case temperature

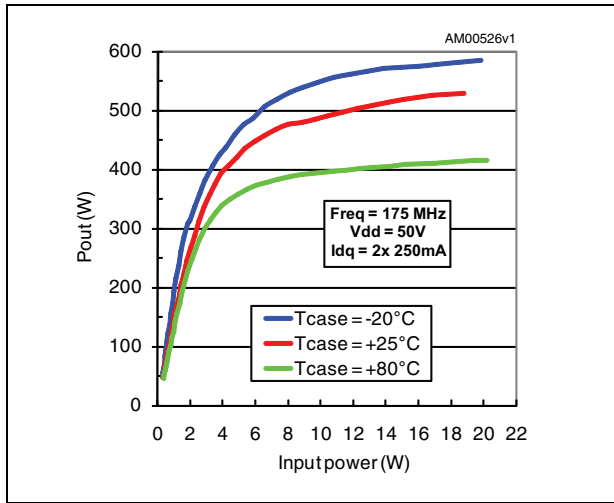
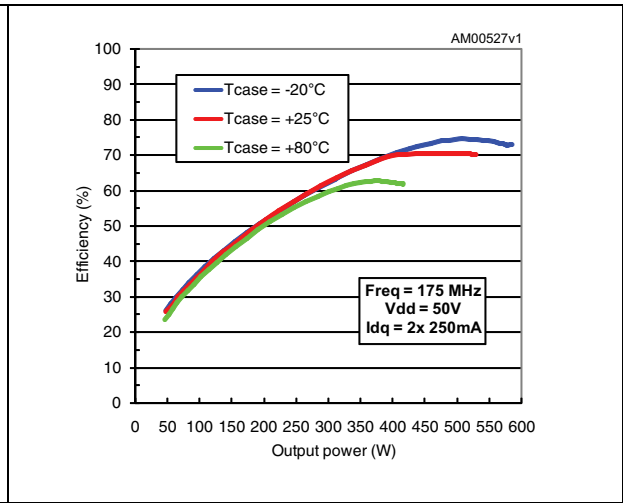


Figure 8. Efficiency vs output power and case temperature



5 Test circuit

Figure 9. 175 MHz test circuit schematic (production test circuit)

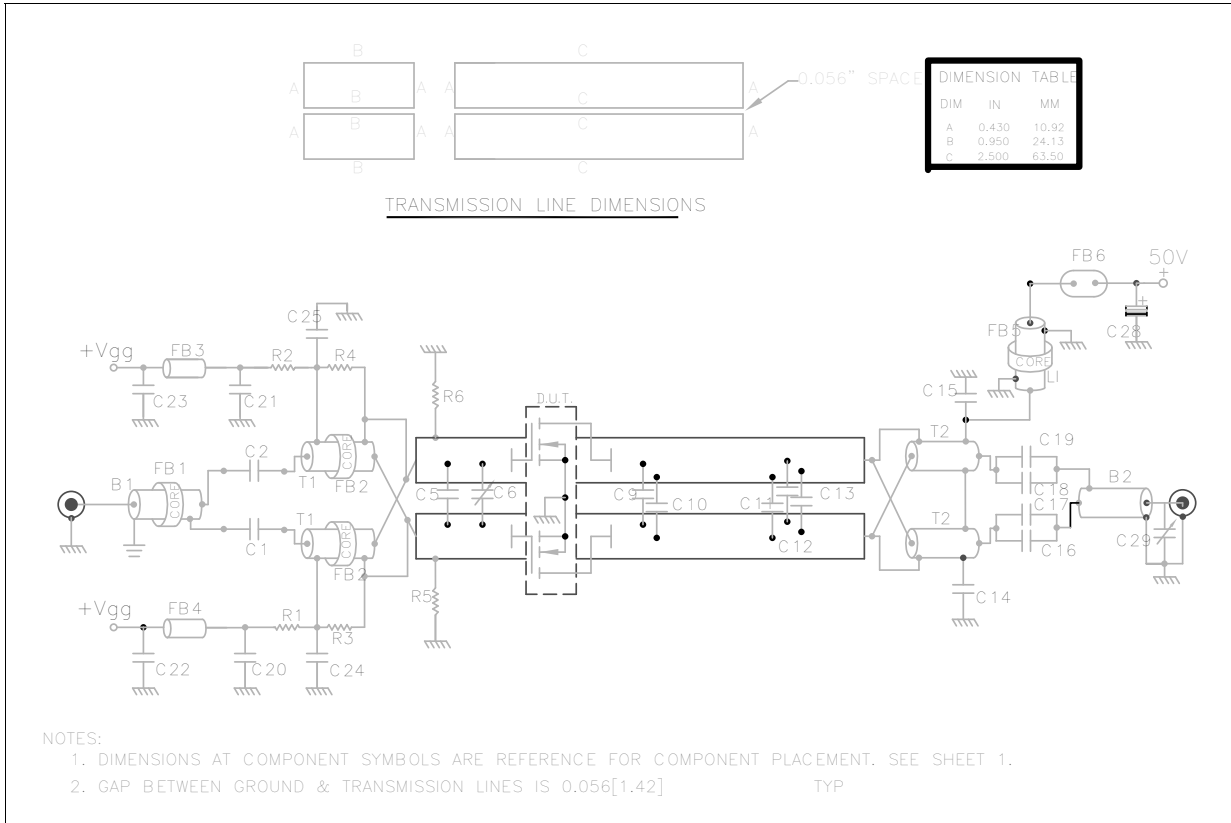


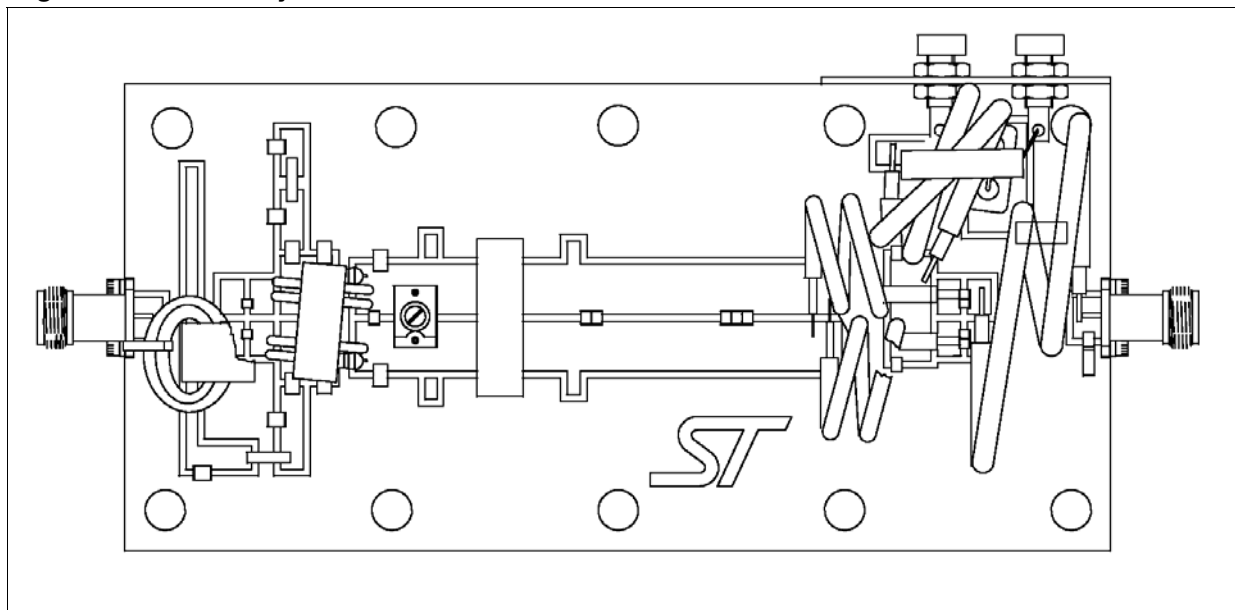
Table 7. 175 MHz test circuit part list

| Component | Description |
|----------------------------|------------------------------------|
| C1, C2, C14, C15, C24, C25 | 1200 pF ATC 700B chip capacitor |
| C5 | 75 pF ATC 100B chip capacitor |
| C6 | ST406 variable capacitor |
| C9, C10 | 47 pF ATC 100B chip capacitor |
| C11, C12, C13 | 43 pF ATC 100B chip capacitor |
| C16, C18 | 470 pF ATC 100B chip capacitor |
| C17, C19, C20, C21 | 10,000 pF ATC 200B chip capacitor |
| C22, C23 | 0.1 μF 200 V chip capacitor |
| C28 | 10 μF 100 V electrolytic capacitor |
| C29 | 0.8 - 8 pF variable capacitor |
| R1, R2, R5, R6 | 430 Ω 1/2 W chip resistor |

Table 7. 175 MHz test circuit part list (continued)

| Component | Description |
|-----------|-----------------------------------------------------------------------------|
| R3, R4 | 270 Ω 1/2 W axial lead resistor |
| B1 | RG-316 50 Ω 11.8" thru ferrite toroidal |
| B2 | RG-142 50 Ω 11.8" |
| T1 | 4:1, RG-316 25 Ω , 5.9", 2 turns thru ferrite core |
| T2 | 1:4, 25 Ω semi-rigid cable, OD.141", 5.9" |
| L1 | $\lambda/4$ inductor, RG-142 50 Ω 11.8", 3 turns thru ferrite toroid |
| FB1,FB5 | Ferrite toroidal |
| FB2, FB6 | Multi-aperture core |
| FB3, FB4 | Surface mount ferrite bead |
| PCB | Rogers ultralam 2000, Er 2.55, 0.060" |

Figure 10. Circuit layout



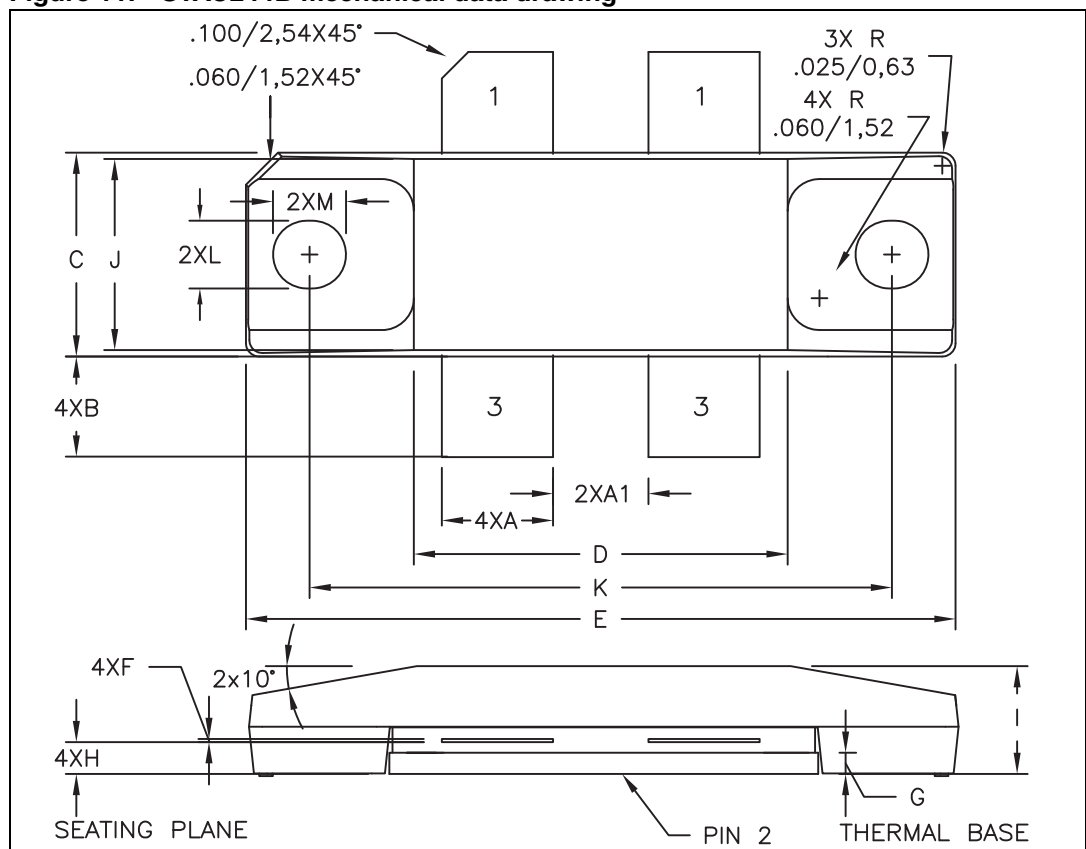
6 Package mechanical data

In order to meet environmental requirements, ST offers these devices in different grades of ECOPACK[®] packages, depending on their level of environmental compliance. ECOPACK[®] specifications, grade definitions and product status are available at: www.st.com. ECOPACK is an ST trademark.

Table 8. STAC244B mechanical data

| Dim. | mm | | |
|------|-------|------|-------|
| | Min. | Typ. | Max. |
| A | 5.08 | | 5.59 |
| A1 | 4.32 | | 4.83 |
| B | 4.32 | | 5.33 |
| C | 9.65 | | 9.91 |
| D | 17.78 | | 18.08 |
| E | 33.88 | | 34.19 |
| F | 0.10 | | 0.15 |
| G | | 1.02 | |
| H | 1.45 | | 1.70 |
| I | 4.83 | | 5.33 |
| J | 9.27 | | 9.52 |
| K | 27.69 | | 28.19 |
| L | 3.12 | 3.23 | 3.33 |
| M | 3.35 | 3.45 | 3.56 |

Figure 11. STAC244B mechanical data drawing



7 Marking, packing and shipping specifications

Table 9. Packing and shipping specifications

| Order code | Packaging | Pcs per tray | Dry pack humidity | Lot code |
|------------|-----------|--------------|-------------------|-----------|
| STAC2932BW | Tray | 20 | < 10 % | Not mixed |

Figure 12. Marking layout

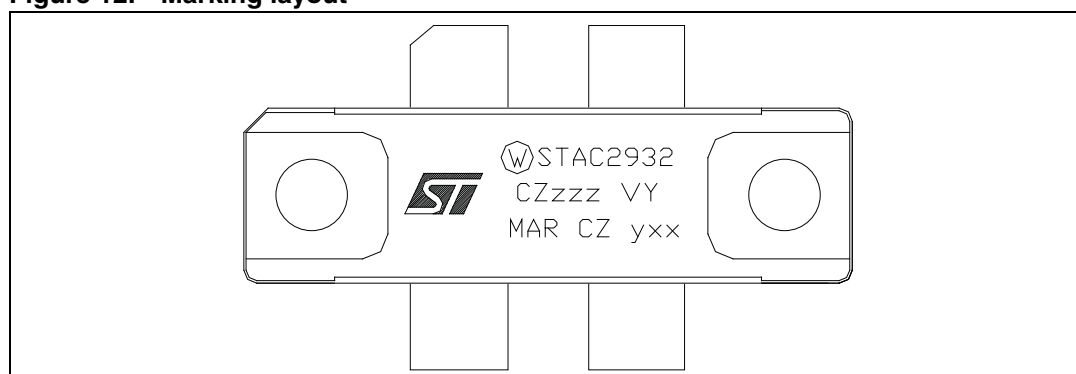


Table 10. Marking specifications

| Symbol | Description |
|--------|-------------------------------|
| W | Wafer process code |
| CZ | Assembly plant |
| xxx | Last 3 digit of diffusion lot |
| VY | Diffusion plant |
| MAR | Country of origin |
| CZ | Test and finishing plant |
| y | Assembly year |
| yy | Assembly week |

8 Revision history

Table 11. Document revision history

| Date | Revision | Changes |
|-------------|----------|---------------------------------------------------------------------------------------------------------------------------------------------------------------------------------------------------|
| 20-Mar-2009 | 1 | First release. |
| 29-Jun-2010 | 2 | Updated features and description on cover page. |
| 12-Aug-2011 | 3 | Update figures on coverpage and Section 6: Package mechanical data . Inserted Section 7: Marking, packing and shipping specifications . Minor text changes. |
| 05-Sep-2011 | 4 | Update L and M dimensions Table 8 on page 11 . |
| 12-Jan-2012 | 5 | Minor text changes to improve readability. |

Please Read Carefully:

Information in this document is provided solely in connection with ST products. STMicroelectronics NV and its subsidiaries ("ST") reserve the right to make changes, corrections, modifications or improvements, to this document, and the products and services described herein at any time, without notice.

All ST products are sold pursuant to ST's terms and conditions of sale.

Purchasers are solely responsible for the choice, selection and use of the ST products and services described herein, and ST assumes no liability whatsoever relating to the choice, selection or use of the ST products and services described herein.

No license, express or implied, by estoppel or otherwise, to any intellectual property rights is granted under this document. If any part of this document refers to any third party products or services it shall not be deemed a license grant by ST for the use of such third party products or services, or any intellectual property contained therein or considered as a warranty covering the use in any manner whatsoever of such third party products or services or any intellectual property contained therein.

UNLESS OTHERWISE SET FORTH IN ST'S TERMS AND CONDITIONS OF SALE ST DISCLAIMS ANY EXPRESS OR IMPLIED WARRANTY WITH RESPECT TO THE USE AND/OR SALE OF ST PRODUCTS INCLUDING WITHOUT LIMITATION IMPLIED WARRANTIES OF MERCHANTABILITY, FITNESS FOR A PARTICULAR PURPOSE (AND THEIR EQUIVALENTS UNDER THE LAWS OF ANY JURISDICTION), OR INFRINGEMENT OF ANY PATENT, COPYRIGHT OR OTHER INTELLECTUAL PROPERTY RIGHT.

UNLESS EXPRESSLY APPROVED IN WRITING BY TWO AUTHORIZED ST REPRESENTATIVES, ST PRODUCTS ARE NOT RECOMMENDED, AUTHORIZED OR WARRANTED FOR USE IN MILITARY, AIR CRAFT, SPACE, LIFE SAVING, OR LIFE SUSTAINING APPLICATIONS, NOR IN PRODUCTS OR SYSTEMS WHERE FAILURE OR MALFUNCTION MAY RESULT IN PERSONAL INJURY, DEATH, OR SEVERE PROPERTY OR ENVIRONMENTAL DAMAGE. ST PRODUCTS WHICH ARE NOT SPECIFIED AS "AUTOMOTIVE GRADE" MAY ONLY BE USED IN AUTOMOTIVE APPLICATIONS AT USER'S OWN RISK.

Resale of ST products with provisions different from the statements and/or technical features set forth in this document shall immediately void any warranty granted by ST for the ST product or service described herein and shall not create or extend in any manner whatsoever, any liability of ST.

ST and the ST logo are trademarks or registered trademarks of ST in various countries.

Information in this document supersedes and replaces all information previously supplied.

The ST logo is a registered trademark of STMicroelectronics. All other names are the property of their respective owners.

© 2012 STMicroelectronics - All rights reserved

STMicroelectronics group of companies

Australia - Belgium - Brazil - Canada - China - Czech Republic - Finland - France - Germany - Hong Kong - India - Israel - Italy - Japan - Malaysia - Malta - Morocco - Philippines - Singapore - Spain - Sweden - Switzerland - United Kingdom - United States of America

www.st.com