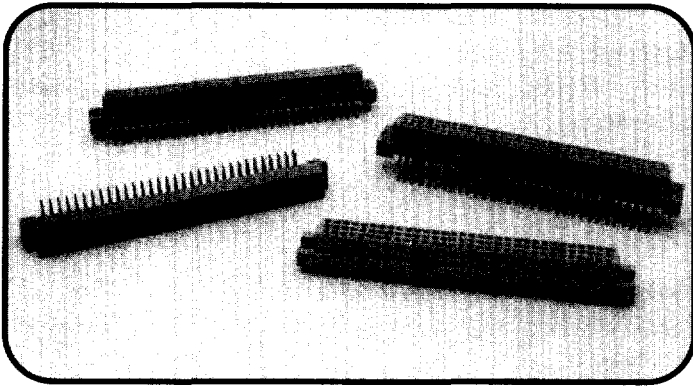


EURO-DIN CONNECTORS

MEDIN Series

Half Size Male and Female

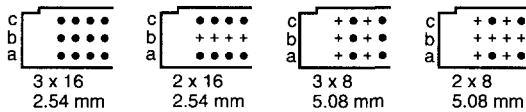
Type C/2 Connectors



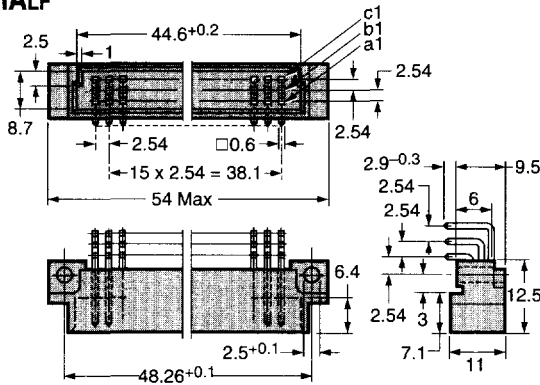
DIMENSIONS

Type C/2 Male and Female

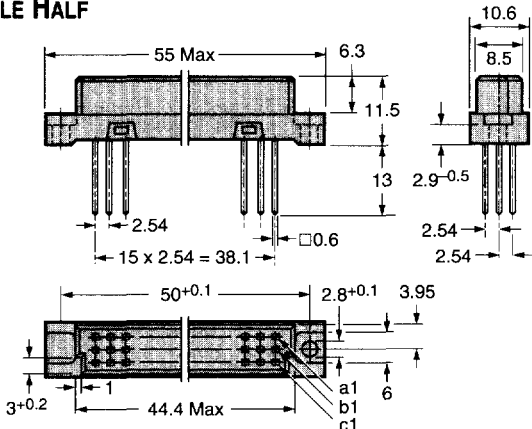
CONTACT ARRANGEMENTS



MALE HALF



FEMALE HALF



MAXCONN

Complying with DIN 41 612, IEC 603-2,
VG 95 324, MIL-C-55 302/131-134,
MIL-C-55 302/157-158

Performance Specifications

Materials and Finish

Moulding: PBT thermoplastic, gray color, 30% glass filled, self-extinguishing, 94V-0 rated

Contact Material:

Pin: Brass

Socket: Phosphor bronze

Contact Finish: Level I – 10 microinch gold, Level II – 30 microinch gold,
Level III – 60 microinch gold

Electrical Characteristics

Contact Current Rating: 2 amp at 70°C

High Voltage Test: 1kv

Contact Resistance: 20 milliohms maximum

Insulation Resistance: 50 megohms minimum

Temperature Rating: -65°C to +140°C

Series	Number of Contacts	Equipped Series	Spacing
MEDIN 1248MC/2	48	a + b + c 3x16	2.54mm
MEDIN 1232MC/2	32	a + c 2x16	2.54mm
MEDIN 1224MC/2	24	a + b + c 3x8	5.08mm
MEDIN 1216MC/2	16	a + c 3x8	5.08mm
MEDIN 1248FC/2	48	a + b + c + 3x16	2.54mm
MEDIN 1232FC/2	32	a + c 2x16	2.54mm
MEDIN 1224AFC/2	24	a + b + c 3x8	5.08mm
MEDIN 1216FC/2	16	a + c 2x8	5.08mm

HOW TO ORDER— MALE TYPE C /2

MEDIN 1232MC/2 - A - I

Series _____

Contact Termination _____

A — Angled solder pin 2.9 mm

Plating _____

1 — Level I

2 — Level II

3 — Level III

HOW TO ORDER — FEMALE TYPE C/2

MEDIN 1248FC/2 - SP2 - I

Series _____

Contact Termination _____

SP2 — Solder pin 2.5mm

SP4 — Solder pin 4.0mm

WW13 — Wire wrap 13.0mm

Plating _____

1 — Level I

2 — Level II

3 — Level III