

SPECIFICATIONS

Mechanical

Mating Force: 4.0Pounds max.
Unmating Force: 4.0Pounds max.
Durability: 1000 Cycles

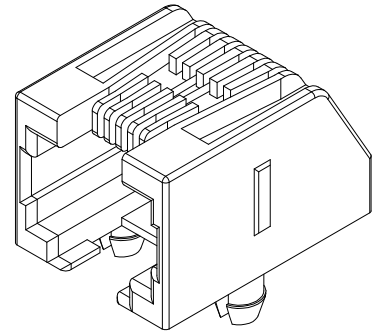
Electrical

Current Rating: 1.5A max.
Dielectric Withstanding Voltage: 1500VAC

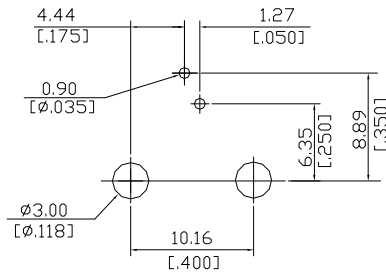
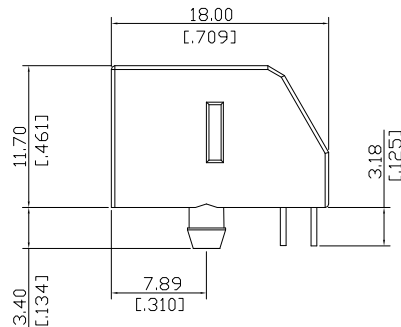
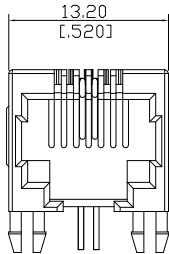
Physical

Housing: UL 94V-0, Black PBT, Glass
Contact: Phosphor bronze
Operating Temperature: -40 to +85

JM Series
RJ11,1X1,6P2C
T/D,T/H,



DRAWING



RECOMMENDED PCB LAYOUT
 SCALE 2:1

ORDERING INFORMATION

PRODUCT NO. : JM 1 6 6 1 1 - KA01 - 4 F

SERIES PREFIX:

JM=MODULAR JACK

BODY & TERMINATION:

1=R/A ALL PLASTIC T/H

Design TYPE:

6=WITHOUT/TOP & SIDE PANEL-GND.

POS. TYPE:

6=6P2C

NO. of Body:

1=Single Port

LEAD FREE CODE:

F=LEAD-FREE

PACKAGE TYPE:

4=SOFT TRAY

HOUSING COLOR:

KA01=BLACK

CONTACT PLATING:

1=6u" GOLD PLATING