

Protistor® Square-body Fuses PSC aR sizes 3x - 450V to 700 VAC Main characteristics

450 TO 700VAC / 63 TO 2800A

 Recognized

- Exceptionally low I^2t , Watt losses.
- Non-magnetic construction,
- Highly reliable low voltage
- Trip-indicator system, conformity to UL, IEC, DIN and VDE standards.
- Increased technical performance
 - Higher ratings
 - Reduction in volume and weight



This fuse preselection table indicates, for each size:

- rated current (or rating) I_n
- pre-arcing I^2t (I^2t_p) at 1 ms
- total operating I^2t (I^2t_t) at 660 V, $f=50\text{Hz}$ $\cos \varphi=0.15$, and for a total operating time from 8 to 10 ms
- dissipated power P_n at the rated current I_n , and at $0.8 I_n$, in steady state
- breaking capacity at various voltages, checked by tests made in accordance with IEC and American standards.

Semiconductor (AC) fuses



Protistor® Square-body Fuses PSC aR sizes 3x - 450V to 700 VAC Main characteristics

Estimated breaking capacity: 300kA

Size	Nominal Voltage (VAC)		Ampere Rating (A)	Pre-arcing I ² t @ 1ms (kA ² s)	Total I ² t @ 660V (*) @ Un (kA ² s)	Power Pn (W)		Tested Breaking capacity (kA)	
	IEC	USA				End contact	Blades	IEC @ 690V (*) @ Un	USA @ 700V (*) @ Un
30	690	700	50	0,116	0,62	9	9	200	200
			63	0,2	1,1	14	14		
			80	0,33	1,8	19	19		
			100	0,47	2,5	26	26		
			125	0,85	4,5	30	30		
			160	1,6	8,5	37	37		
			200	3	15,5	42	43		
			250	5,8	30	48	50		
			315	12	62	53	55		
			350	15,5	80	57	60		
			400	23	120	60	65		
			450	26	150	80	88		
			500	41	240	80	88		
			550	52	300	80	90		
31	690	700	630	84	450(*)	85	95	200	200
			160	1,3	7	35	35		
			200	2,6	13,5	45	45		
			250	4,7	25	52	52		
			315	7,5	40	65	65		
			350	10,5	55	67	67		
			400	19	100	68	68		
			450	26,5	140	70	70		
			500	37	195	70	72		
			550	52	280	70	75		
			630	75	390	75	85		
			700	95	490	85	95		
			800	140	800	105	120		
			315	5,2	28,9	71	71		
32	690	700	350	8,9	48,8	71	74	200	200
			400	15	80	72	75		
			450	22	115	77	80		
			500	28	145	85	90		
			550	37	195	90	95		
			630	54	280	95	105		
			700	76	400	100	110		
			800	115	600	110	120		
			900	170	900	110	125		
			1000	240	1250	115	135		
			1100	270	1450(*)	140	165		
			550	600	1250	150	180		
			1400	555	2300(*)	160	200		
			1600	870	3600(*)	165	205		
33	690	700	1800	1050	3700(*)	195	230	200	200
			450	13,45	74,1	84	88		
			500	19	100	105	105		
			550	27	140	105	110		
			630	40	210	110	120		
			700	55	300	115	125		
			800	95	490	120	130		
			900	135	700	120	135		
			1000	170	900	135	155		
			1100	240	1260	135	160		
			1250	350	1850	150	180		
			1400	480	2500	160	200		
			1500	500	2500(*)	210	240		
			1600	555	2900(*)	210	240		
2X32	690	700	1800	720	3870(*)	225	260	200	200
			2000	950	4500(*)	250	290		
			2250	1250	5160(*)	280	320		
			2500	1870	6540(*)	280	330		
			800	60	320	144	144		
			1000	110	590	165	165		
			1250	220	1100	190	190		
			1400	300	1600	200	200		
			1600	450	2400	220	220		
			1800	700	3500	225	225		
			2000	950	5000	235	235		
			2200	1100	5250(*)	280	280		
			1000	76	395	220	220		
			2x33	690	700	1250	160		
1400	225	1200				240	240		
1600	375	1900				250	250		
1800	530	2800				250	250		
2000	700	3100(*)				280	280		
2200	950	4400(*)				280	280		
2500	1400	6600(*)				310	310		
2800	1900	8800(*)				330	330		
600	650	1600				160(*)	160(*)		
600	650	1600				160(*)	160(*)		
600	650	1600				160(*)	160(*)		
600	650	1600				160(*)	160(*)		
600	650	1600				160(*)	160(*)		
600	650	1600				160(*)	160(*)		
600	650	1600	160(*)	160(*)					

For others Ampere ratings consult us
12/04

Protistor® Square-body Fuses PSC aR sizes 3x - 450V to 700 VAC American Terminals - 30 - 33 End contacts



Size	Designation			Reference Number	Weight (g)	Packaging	Catalog Number
30	A070 URD	30	TTI 0050	V302744	245	3	A070UD30TTI 50
	A070 URD	30	TTI 0063	A301967			A070UD30TTI 63
	A070 URD	30	TTI 0080	V301962			A070UD30TTI 80
	A070 URD	30	TTI 0100	W300744			A070UD30TTI100
	A070 URD	30	TTI 0125	G300708			A070UD30TTI125
	A070 URD	30	TTI 0160	N300576			A070UD30TTI160
	A070 URD	30	TTI 0200	P300577			A070UD30TTI200
	A070 URD	30	TTI 0250	Q300578			A070UD30TTI250
	A070 URD	30	TTI 0315	R300579			A070UD30TTI315
	A070 URD	30	TTI 0350	S300580			A070UD30TTI350
	A070 URD	30	TTI 0400	T300581			A070UD30TTI400
	A070 URD	30	TTI 0450	V300582			A070UD30TTI450
	A070 URD	30	TTI 0500	W300583			A070UD30TTI500
	A070 URD	30	TTI 0550	X300584			A070UD30TTI550
	A065 URD	30	TTI 0630	A302703			A065UD30TTI630
	31	A070 URD	31	TTI 0160			-
A070 URD		31	TTI 0200	A300472	A070UD31TTI250		
A070 URD		31	TTI 0250	B300473	A070UD31TTI315		
A070 URD		31	TTI 0315	C300474	A070UD31TTI350		
A070 URD		31	TTI 0350	D300475	A070UD31TTI400		
A070 URD		31	TTI 0400	E300476	A070UD31TTI450		
A070 URD		31	TTI 0450	F300477	A070UD31TTI500		
A070 URD		31	TTI 0500	G300478	A070UD31TTI550		
A070 URD		31	TTI 0550	H300479	A070UD31TTI630		
A070 URD		31	TTI 0630	J300480	A070UD31TTI700		
A070 URD		31	TTI 0700	K300481	A070UD31TTI800		
A070 URD		31	TTI 0800	L300482			
32	A070 URD	32	TTI 0315	-	510	3	A070UD32TTI400
	A070 URD	32	TTI 0350	-			A070UD32TTI450
	A070 URD	32	TTI 0400	Q300463			A070UD32TTI500
	A070 URD	32	TTI 0450	N300461			A070UD32TTI550
	A070 URD	32	TTI 0500	P300462			A070UD32TTI630
	A070 URD	32	TTI 0550	R300464			A070UD32TTI700
	A070 URD	32	TTI 0630	S300465			A070UD32TTI800
	A070 URD	32	TTI 0700	T300466			A070UD32TTI900
	A070 URD	32	TTI 0800	V300467			A070UD32TTI1000
	A070 URD	32	TTI 0900**	W300468			A065UD32TTI100
	A070 URD	32	TTI 1000**	X300469			A060UD32TTI1250
	A065 URD	32	TTI 1100**	M301081			A055UD32TTI1400
	A060 URD	32	TTI 1250**	N301082			A055UD32TTI1600
	A055 URD	32	TTI 1400**	P301083			A050UD32TTI1800
A055 URD	32	TTI 1600**	Q301084				
A050 URD	32	TTI 1800**	R301085				
33	A070 URD	33	TTI 0450	X302171	790	3	A070UD33TTI450
	A070 URD	33	TTI 0500	X300446			A070UD33TTI500
	A070 URD	33	TTI 0550	Y300447			A070UD33TTI550
	A070 URD	33	TTI 0630	Z300448			A070UD33TTI630
	A070 URD	33	TTI 0700	A300449			A070UD33TTI700
	A070 URD	33	TTI 0800	T300443			A070UD33TTI800
	A070 URD	33	TTI 0900	B300450			A070UD33TTI900
	A070 URD	33	TTI 1000	C300451			A070UD33TTI1000
	A070 URD	33	TTI 1100	D300452			A070UD33TTI1100
	A070 URD	33	TTI 1250**	E300453			A070UD33TTI1250
	A070 URD	33	TTI 1400**	F300454			A070UD33TTI1400
	A065 URD	33	TTI 1500**	F302064			A065UD33TTI1500
	A065 URD	33	TTI 1600**	S301086			A065UD33TTI1600
	A065 URD	33	TTI 1800**	T301087			A065UD33TTI1800
	A060 URD	33	TTI 2000**	V301088			A060UD33TTI2000
	A055 URD	33	TTI 2250**	W301089			A055UD33TTI2250
	A050 URD	33	TTI 2500**	Y300838			A050UD33TTI2500

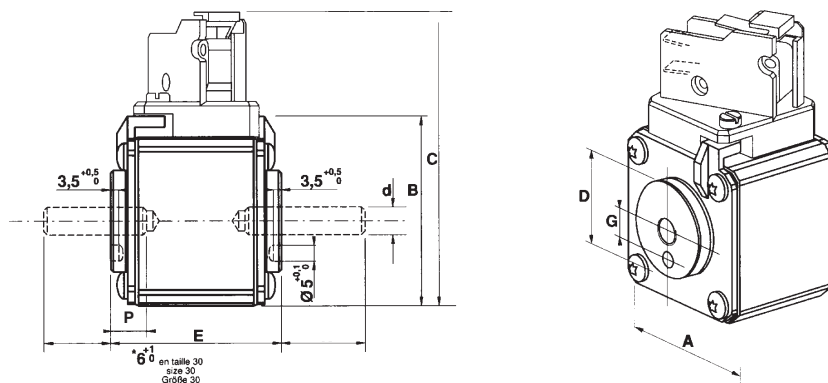
Rated Voltage as per American standard



Protistor® Square-body Fuses PSC aR sizes 3x - 450V to 700 VAC American Terminals - 30 - 33 End contacts

Size	A	B	C	D	E±1	d	G±0.1	P±0.1
30	40 1-19/32"	46.5 1-27/32"	82 3-7/32"	26 1"	50.6 2"	5/16"-18	9 23/64"	6 15/64"
31	51 2"	56.5 2-7/32"	91 3-37/64"	30 1-3/16"	50.6 2"	5/16"-18	9 23/64"	9 23/64"
32	60 2-3/8"	65.5 2-37/64"	100 3-15/16"	38 ; (42 **) 1-1/2" ; (1-21/32" **)	50.6 2"	3/8"-16	15 19/32"	9 23/64"
33	74.5 2-15/16"	79.5 3-1/8"	114 4-1/2"	46 ; (52 **) 1-13/16" ; (2-1/16 **)	50.6 2"	1/2"-13	15 19/32"	9 23/64"

Note:
dimensions in mm
dimensions in inches



Microswitches are supplied separately see microswitches PSC 3x & 7x section