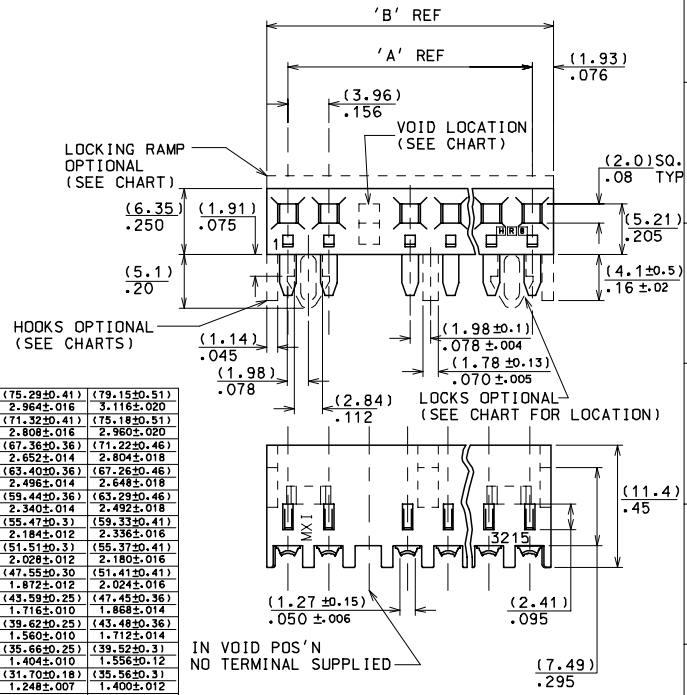
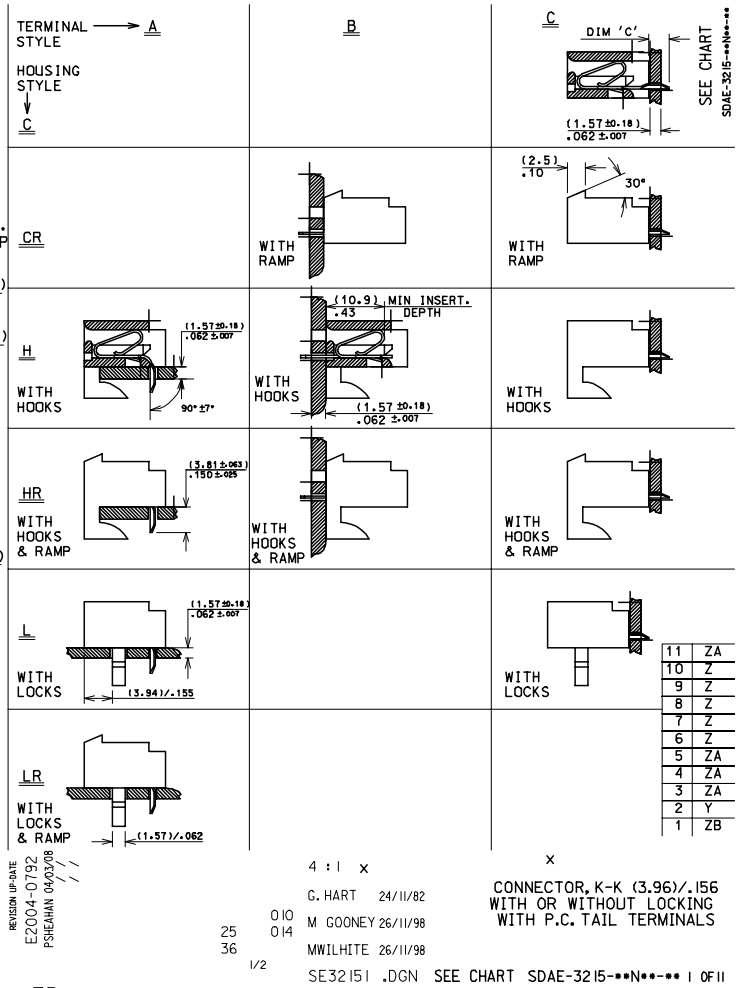


20	(75.29±0.41)	(79.15±0.51)
	2.964±.016	3.116±.020
19	(71.32±0.41)	(75.18±0.51)
	2.808±.016	2.960±.020
18	(67.36±0.36)	(71.22±0.46)
	2.652±.014	2.804±.018
17	(63.40±0.36)	(67.26±0.46)
	2.496±.014	2.648±.018
16	(59.44±0.36)	(63.29±0.46)
	2.340±.014	2.492±.018
15	(55.47±0.33)	(59.33±0.41)
	2.184±.012	2.336±.016
14	(51.51±0.33)	(55.37±0.41)
	2.028±.012	2.180±.016
13	(47.55±0.30)	(51.41±0.41)
	1.872±.012	2.024±.016
12	(43.59±0.25)	(47.45±0.36)
	1.716±.010	1.868±.014
11	(39.62±0.25)	(43.48±0.36)
	1.560±.010	1.712±.014
10	(35.66±0.25)	(39.52±0.31)
	1.404±.010	1.556±.012
9	(31.70±0.18)	(35.56±0.3)
	1.248±.007	1.400±.012
8	(27.74±0.18)	(31.60±0.31)
	1.092±.007	1.244±.012
7	(23.77±0.18)	(27.64±0.3)
	.936±.007	1.088±.012
6	(19.81±0.13)	(23.67±0.25)
	.780±.005	.932±.011
5	(15.85±0.13)	(19.71±0.25)
	.624±.005	.776±.010
4	(11.89±0.13)	(15.75±0.25)
	.468±.005	.620±.010
3	(7.92±0.13)	(11.79±0.25)
	.312±.005	.464±.010
No OF	DIM. 'A'	DIM. 'B'
CCTS		



- NOTES:
1. THESE ASSEMBLIES STACKABLE END TO END ON (3.96)/.156 CENTRE TO CENTRE PROGRESSION.
 2. FOR CHARTS & PANEL DRILLING DETAILS SEE SHEET 2 AND SUBSEQUENT SHEETS.
 3. TERMINAL PULL OUT FORCE- 4lbs MIN.
 4. TERMINALS ARE LUBRICATED WITH MXI-3.
 5. CONNECTORS FOR USE WITH (1.14)/.045 SQ. OR RD. PINS
 6. THIS PART CONFORMS TO PROD.SPEC.99020-0087



ZB

REVISION # DATE

E2004-0792

PSHEAHAN 06/03/98

4 : 1 x

G. HART 24/11/82

M GOONEY 26/11/98

MWILHITE 26/11/98

SE32151 .DGN SEE CHART SDAE-3215-***N*** I 0F 11

11	ZA
10	Z
9	Z
8	Z
7	Z
6	Z
5	ZA
4	ZA
3	ZA
2	Y
1	ZB

SHT. 1 OF 1		MRI-SDAE-3215-***N***				
MODIFICATION RECORD INDEX						
ECN	ISS.	DATE	INIT.	SHTS. AFFECTED	DESCRIPTION OF MOD.	
MESL-077	F	2 .12.82	GH	ALL	REDRAW	
MEML-112	G	26.4 .83	GH	ALL	REVISION	
MEML-594	H	6 .6 .83	GH	ALL	VARIOUS	
MEML-608	J	21.6 .83	GH	ALL	VARIOUS	
MEML-681	K	31.8 .83	MAL	ALL	VARIOUS	
MEML-901	L	25.6 .84	MC	ALL	VARIOUS	
MEML-382	M	2 .10.84	MC	ALL	VARIOUS	
MEML-509	N	29.5 .85	MC	ALL	VARIOUS	
MEML-510	P	31.5 .85	MC	ALL	VARIOUS	
MEML-1162	R	25.11.85	JP	ALL	VARIOUS	
MEML-617	S	9 .1.86	MC	ALL	VARIOUS	
MEML-625	T	20.1.86	MC	ALL	VARIOUS	
E10010	U	11.1.91	POB	ALL	VARIOUS	
E10018	V	18.1.91	POB	ALL	VARIOUS	
E50203	W	08.12.94	JS	ALL	VARIOUS	
E90137	Y	1.11.98	TM	ALL	REDRAWN ON CAD	
E2001-0463	Z	1.11.00	MF	1,3,4,5,6,7,8,9,10,11	UPDATED BORDER	
E2003-0992	ZA	03.05.29	PS	1	NEW PROD.SPEC.99020-0087 ADDED	
MOLEX EUROPE			REVISE ONLY ON CAD SYSTEM			
THIS DRAWING CONTAINS INFORMATION THAT IS PROPRIETARY TO MOLEX INC. A SHOULD NOT BE USED WITHOUT WRITTEN PERMISSION			CROUCH FILENAME		TITLE	
NF0028			SE32151 . DGN		ZA	

13		12		11		10		9		8		7		6		5		4		3		2		1						
PART No.	ENG No.	No. OF CCTS	LOCK RAMP	VOID CCT POS 'N	CENTRE HOOK LOCATED BETWEEN CCT No's	PART No.	ENG No.	No. OF CCTS	LOCK RAMP	VOID CCT POS 'N	CENTRE HOOK LOCATED BETWEEN CCT No's	PART No.	ENG No.	No. OF CCTS	LOCK RAMP	VOID CCT POS 'N	CENTRE HOOK LOCATED BETWEEN CCT No's	PART No.	ENG No.	No. OF CCTS	LOCK RAMP	VOID CCT POS 'N	CENTRE HOOK LOCATED BETWEEN CCT No's	PART No.	ENG No.	No. OF CCTS	LOCK RAMP	VOID CCT POS 'N	CENTRE HOOK LOCATED BETWEEN CCT No's	
26-11-2036	AE-3215-H3AA	3	NO	NONE	-----	26-11-6034	AE-3215-HR3AA	3	YES	NONE	-----																			
↑ -2046	↑ -H4AA	4	↑	↑	-----	↑ -6044	↑ -HR4AA	4	↑	↑	-----	26-11-2045	AE-3215-L4AA	4	NO	NONE	1&2 3&4	26-13-3042	AE-3215-LR4AA	4	YES	NONE	1&2 3&4							
-2056	-H5AA	5			-----	-6054	-HR5AA	5			-----	↑ 2055	↑ -L5AA	5	↑	↑	1&2 4&5	↑ -3052	↑ -LR5AA	5	↑	↑	1&2 4&5							
-2066	-H6AA	6			-----	-6064	-HR6AA	6			-----	-2065	-L6AA	6			1&2 5&6	-3062	-LR6AA	6			1&2 5&6							
-2076	-H7AA	7			-----	-6074	-HR7AA	7			-----	-2075	-L7AA	7			1&2 6&7	-3072	-LR7AA	7			1&2 6&7							
-2086	-H8AA	8			4&5	-6084	-HR8AA	8			4&5	-2085	-L8AA	8			1&2 7&8	-3082	-LR8AA	8			1&2 7&8							
-2096	-H9AA	9			4&5	-6094	-HR9AA	9			4&5	-2095	-L9AA	9			1&2 5&6 8&9	-3092	-LR9AA	9			1&2 5&6 8&9							
-2106	-H10AA	10			5&6	-6104	-HR10AA	10			5&6	-2105	-L10AA	10			1&2 5&6 9&10	-3102	-LR10AA	10			1&2 5&6 9&10							
-2116	-H11AA	11			5&6	-6114	-HR11AA	11			5&6	-2115	-L11AA	11			1&2 6&7 10&11	-3112	-LR11AA	11			1&2 6&7 10&11							
-2126	-H12AA	12			4&5 8&9	-6124	-HR12AA	12			4&5 8&9	-2125	-L12AA	12			1&2 6&7 11&12	-3122	-LR12AA	12			1&2 6&7 11&12							
-2136	-H13AA	13			4&5 9&10	-6134	-HR13AA	13			4&5 9&10	-2135	-L13AA	13			1&2 6&7 12&13	-3132	-LR13AA	13			1&2 6&7 12&13							
-2146	-H14AA	14			5&6 9&10	-6144	-HR14AA	14			5&6 9&10	-2145	-L14AA	14			1&2 7&8 13&14	↓ -3142	-LR14AA	14			1&2 7&8 13&14							
-2156	-H15AA	15			5&6 10&11	-6154	-HR15AA	15			5&6 10&11	-2155	-L15AA	15			1&2 7&8 14&15	26-13-3152	-LR15AA	15			1&2 7&8 14&15							
-2166	-H16AA	16			6&7 11&12	-6164	-HR16AA	16			6&7 11&12	-2165	-L16AA	16			1&2 7&8 15&16	NOT TOOLED	-LR16AA	16			1&2 7&8 15&16							
-2176	-H17AA	17			6&7 11&12	-6174	-HR17AA	17			6&7 11&12	-2175	-L17AA	17			1&2 7&8 16&17	↑	-LR17AA	17			1&2 7&8 16&17							
-2186	-H18AA	18			6&7 10&11 15&16	-6184	-HR18AA	18			6&7 10&11 15&16	-2185	-L18AA	18			1&2 8&9 17&18	↓	-LR18AA	18			1&2 8&9 17&18							
↓ -2196	↓ -H19AA	19	↓	↓	5&6 10&11 15&16	↓ -6194	↓ -HR19AA	19	↓	↓	5&6 10&11 15&16	↓ -2195	↓ -L19AA	19	↓	↓	1&2 8&9 18&19	↓	-LR19AA	19	↓	↓	1&2 8&9 18&19							
26-11-2206	AE-3215-H20AA	20	NO	NONE	5&6 10&11 15&16	26-11-6204	AE-3215-HR20AA	20	YES	NONE	5&6 10&11 15&16	26-11-2205	AE-3215-L20AA	20	NO	NONE	1&2 9&10 19&20	NOT TOOLED	AE-3215-LR20AA	20	YES	NONE	1&2 9&10 19&20							
26-11-2069	AE-3215-H6AA-51	6	NO	3&4	-----	26-11-6057	AE-3215-HR5AA-51	5	YES	2&4	-----																			
26-11-2130	AE-3215-H13AA-7	13	NO	7	4&5 9&10	38-00-0321	AE-3215-HR13AA-51	13	YES	^{2 4 6} / _{8 10 12}	4&5 9&10																			
						26-11-8065	AE-3215-HR6AA-51	6	YES	3&4	-----																			
						26-11-8137	AE-3215-HR13AA-7	13	YES	7	4&5 9&10																			

SHEET CHART
 PAGES 32 15-***N***

HOUSING.
STYLE- H

TERMINAL.
STYLE- A

DRILLING DETAIL 'A'
(SEE SHT.2)

MATERIAL:

HOUSING- NYLON, 94V-2, COLOUR- NATURAL
 TERMINAL- PHOS. BR, PLATING- (P902)
 HOT/TIN DIP 1-2.5um (.000040"- .000100")

NOTES:

1. TERMINAL MUST MEET MOLEX SOLDERABILITY SPEC. No. 152.

HOUSING.
STYLE- HR

TERMINAL.
STYLE- A

DRILLING DETAIL 'A'

HOUSING.
STYLE- L

TERMINAL.
STYLE- A

DRILLING DETAIL 'C'

HOUSING.
STYLE- LR

TERMINAL.
STYLE- A

DRILLING DETAIL 'C'



LEAD FREE CONVERSION EC No. E2004-0792 DRWN: PSHEHAN 04/03/11 CHK: / / / / APPR: / / / / REV: ZA	QUALITY SYMBOLS MAJOR CRITICAL	GENERAL TOLERANCES: (UNLESS SPECIFIED) mm INCH 4 PLACES ±0. ±. 3 PLACES ±0. ±. 2 PLACES ±0. ±. 1 PLACE ±0. ±. ANGULAR: ± 1/2° DRAFT WHERE APPLICABLE MUST REMAIN WITHIN DIMENSIONS	SCALE: 1:1	DESIGN UNITS: <input checked="" type="checkbox"/> mm <input type="checkbox"/> INCH	THIRD ANGLE PROJECTION	DIMENSIONS: <input checked="" type="checkbox"/> mm <input type="checkbox"/> INCH <input type="checkbox"/> mm ONLY	SHT: /	REV: /
			DRAWN BY & DATE: G. HART 24/11/82	TITLE: CONNECTOR, K-K (3.96)/.156 WITH OR WITHOUT LOCKING WITH P.C. TAIL TERMINALS				
			CHECKED BY & DATE: M. GOONEY 26/11/98	MOLEX MOLEX INCORPORATED				
			APPROVED BY & DATE: MWILHITE 26/11/98	CAD FILENAME: SE32153.DGN	MATERIAL NO. SEE CHART	DRAWING NO. SDAE-3215-***N***	SHEET NO. 3 OF	

THIS DRAWING CONTAINS INFORMATION THAT IS PROPRIETARY TO MOLEX INCORPORATED AND SHOULD NOT BE USED WITHOUT WRITTEN PERMISSION.