

Customer Information Sheet

DRAWING No.: MP6-615XX22R

SHEET 2 OF 2

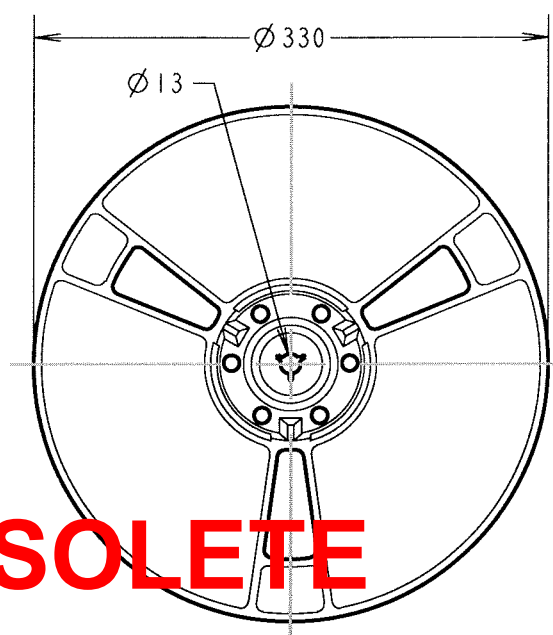
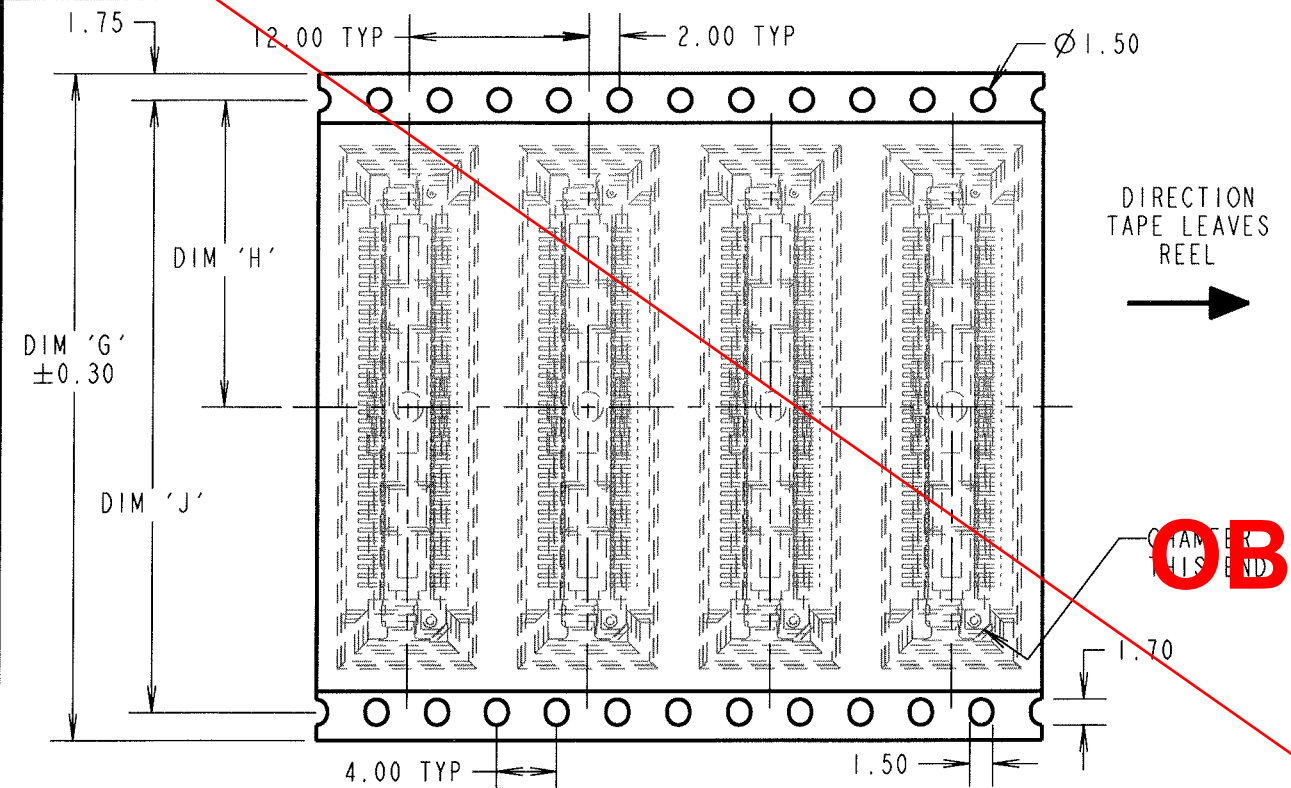
IF IN DOUBT - ASK

(C)

NOT TO SCALE

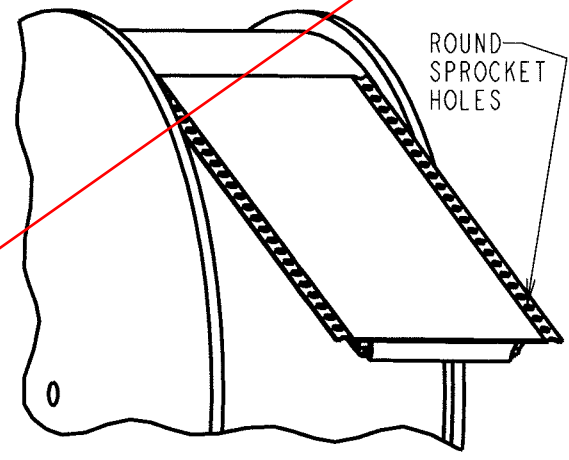
THIRD ANGLE PROJECTION

ALL DIMENSIONS IN mm

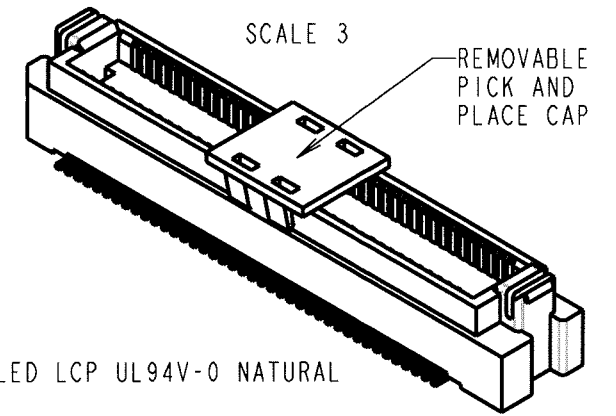


- NOTES:
1. QUANTITY PER REEL = 500 COMPONENTS.
 2. MATES WITH MALE CONNECTOR MP6-650XX22R.

REELING DIRECTION



OBsolete



ORDER CODE:
MP6-615XX22R

No. OF WAYS PER ROW
10, 15, 20, 25, 30, 40, 50

FINISH
22 - SELECTIVE GOLD

PACKING
R - TAPE AND REEL

SPECIFICATIONS:

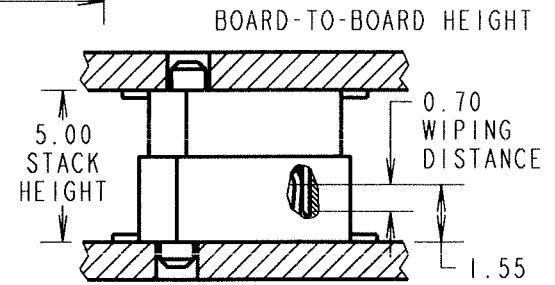
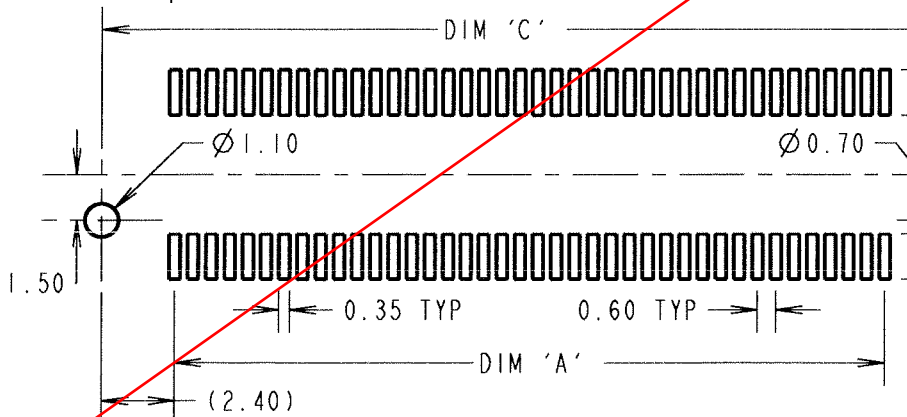
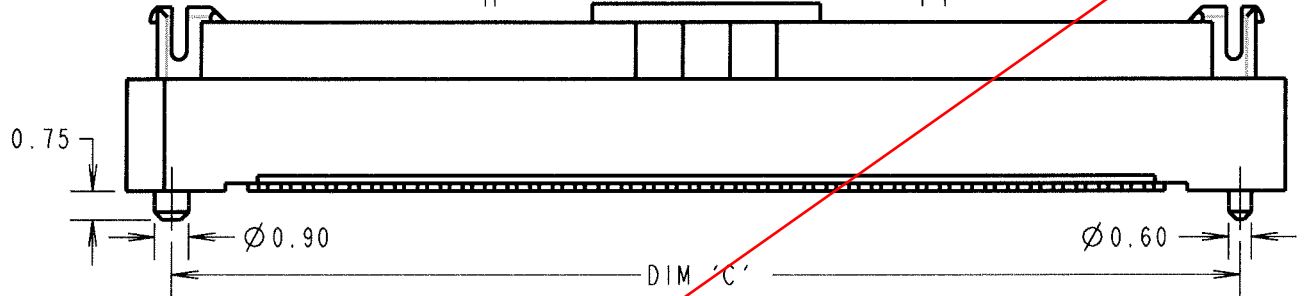
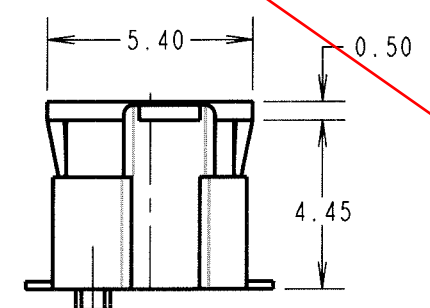
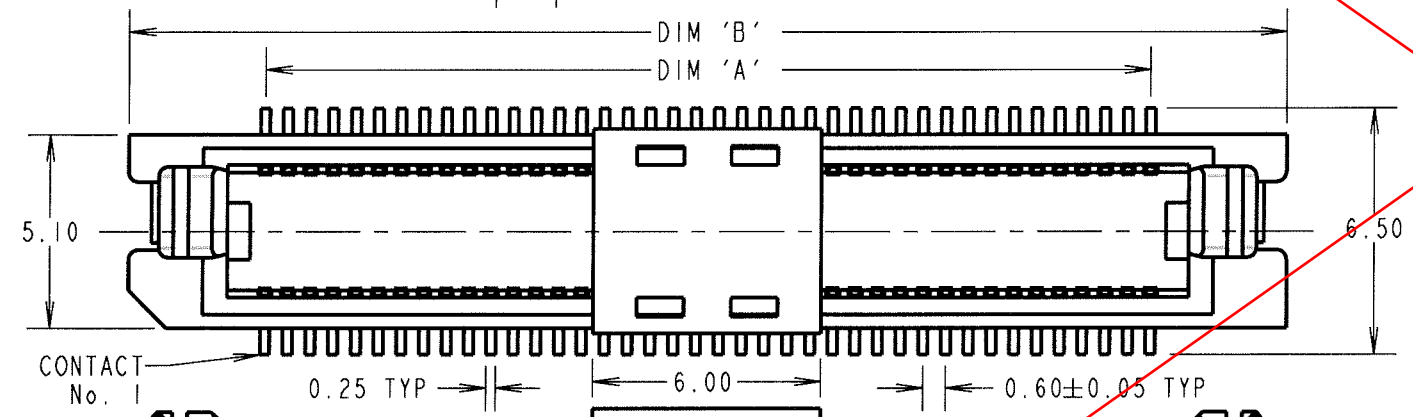
MATERIALS:
MOULDING = GLASS-FILLED LCP UL94V-0 NATURAL
CONTACTS = BRASS

FINISH:
CONTACTS = 0.13µ GOLD ON CONTACT AREA,
2µ MIN TIN/LEAD ON TAILS

ELECTRICAL:
CURRENT RATING = 0.5A PER CONTACT
VOLTAGE RATING = 50V AC
CONTACT RESISTANCE = 70mΩ MAX
INSULATION RESISTANCE = 100MΩ MIN
DIELECTRIC STRENGTH = 200V AC

MECHANICAL:
DURABILITY = 100 OPERATIONS
INSERTION FORCE = 0.9N MAX PER CONTACT
WITHDRAWAL FORCE = 0.1N MIN PER CONTACT

ENVIRONMENTAL:
TEMPERATURE RANGE = -40°C TO +80°C
FOR COMPLETE SPECIFICATION, SEE COMPONENT SPECIFICATION C035XX (LATEST ISSUE)



PART No.	No. OF WAYS	DIM 'A'	DIM 'B'	DIM 'C'	DIM 'G'	DIM 'H'	DIM 'J'
MP6-6151022R	10 + 10	5.40	12.60	10.20	24.00	11.50	N/A
MP6-6151522R	15 + 15	8.40	15.60	13.20	24.00	11.50	N/A
MP6-6152022R	20 + 20	11.40	18.60	16.20	32.00	14.20	28.40
MP6-6152522R	25 + 25	14.40	21.60	19.20	32.00	14.20	28.40
MP6-6153022R	30 + 30	17.40	24.60	22.20	44.00	20.20	40.40
MP6-6154022R	40 + 40	23.40	30.60	28.20	44.00	20.20	40.40
MP6-6155022R	50 + 50	29.40	36.60	34.20	56.00	26.20	52.40

JAE	3	18.10.04	8176
NAME	ISS.	DATE	C/NOTE
APPROVED: <i>[Signature]</i>			
CHECKED: <i>[Signature]</i>			
DRAWN: W. J. BOURNE			
CUSTOMER REF.:			
ASSEMBLY DRG:			

HARWIN

HARWIN INC U.S.A. TEL: (812) 542 2546 FAX: (812) 542 2541	HARWIN PLC U.K. TEL: 023 9231 4545 FAX: 023 9231 4590	HARWIN PTE SINGAPORE TEL: 65 6779 4909 FAX: 65 6779 3868
--	--	---

THIS DRAWING AND ANY INFORMATION OR DESCRIPTIVE MATTER SET OUT HEREON ARE CONFIDENTIAL AND COPYRIGHT PROPERTY OF THE HARWIN GROUP AND MUST NOT BE DISCLOSED, LOANED, COPIED OR USED FOR MANUFACTURING, TENDERING OR FOR ANY OTHER PURPOSE WITHOUT THEIR WRITTEN PERMISSION.

TOLERANCES
X. = ±1mm
X.X = ±0.25mm
X.XX = ±0.10mm
X.XXX = ±0.01mm
ANGLES = ±5° UNLESS STATED

MATERIAL:
SEE ABOVE

FINISH: SEE ABOVE

S/AREA: mm²

TITLE: 0.60mm PITCH FEMALE CONNECTOR (TAPE & REEL) WITH LATCHING CLIPS

DRAWING NUMBER: MP6-615XX22R

SHT 2 OF 2