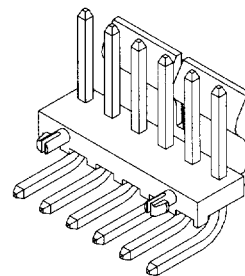


molex® 3.96mm (.156") Pitch KK®

Solid Header

42892

Right Angle Friction Lock With Snap-In Pegs



FEATURES AND SPECIFICATIONS

Features and Benefits

- Sizes 2 to 18 circuits
- Snap-in peg locks header to PCB for optimum retention
- Provides left to right polarization when mated with 41695 or 43061 .156" crimp housing with the optional polarizing ribs
- Passive locking feature is used to maintain interconnection, ideal for high vibration applications
- Optional voided circuits and various pin lengths available (contact Inside Sales)
- End-to-end stackable

Reference Information

Product Specification: PS-08-50

Packaging: Bag

UL File No.: E29179

CSA File No.: LR19980

TUV File No.: R75108

Mates With: 2139, 2145, 3069, 6442, 7674, 7675,

41695 and 41815

Designed In: Inches

Electrical

Voltage: 250V

Current: 7.0A

Contact Resistance: 6mΩ max.

Dielectric Withstanding Voltage: 1500V

Insulation Resistance: 50K MΩ min.

Mechanical

Durability:

Tin—25 cycles max.

Gold—100 cycles max.

Physical

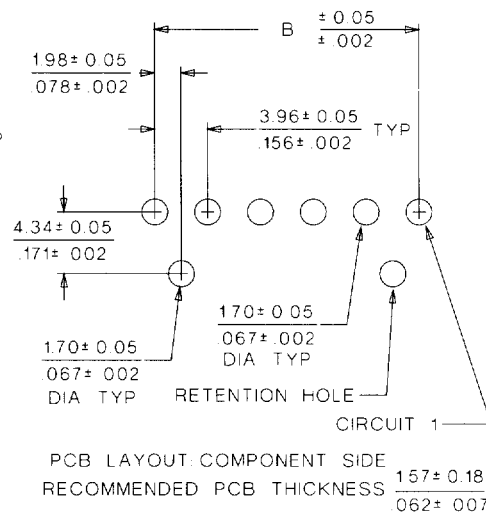
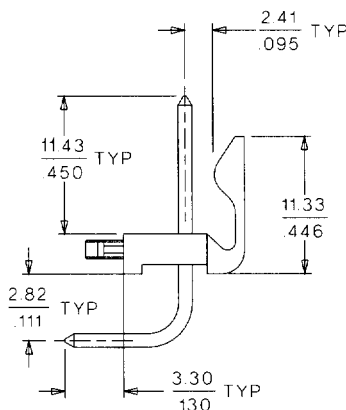
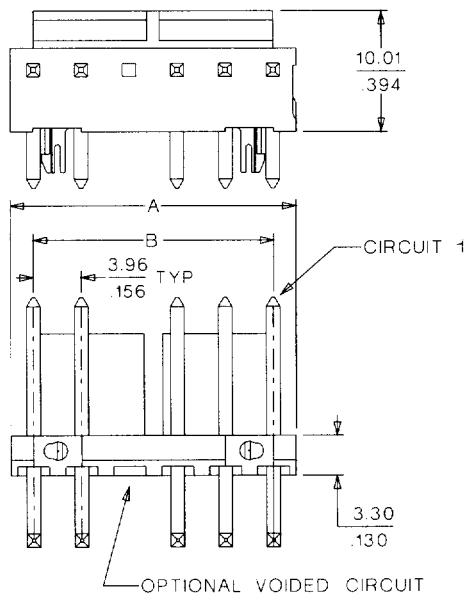
Housing: Polyester, UL 94V-0

Contact: Brass, 1.14mm (.045") pins

Plating: See Table

Temperature: 0 to +75°C

PCB and Wire Connectors



ORDERING INFORMATION AND DIMENSIONS

Circuits	Order No.				Dimension		No. of Pegs
	Tin	15μ" Select Gold	30μ" Select Gold	Overall Gold	A	B	
2	26-60-7020	42892-0080	42892-0097	26-60-7021	7.77 (.306)	3.96 (.156)	1
3	26-60-7030	42892-0081	42892-0098	26-60-7031	11.73 (.462)	7.92 (.312)	2
4	26-60-7040	42892-0082	42892-0099	26-60-7041	15.70 (.618)	11.89 (.468)	2
5	26-60-7050	42892-0083	42892-0100	26-60-7051	19.66 (.774)	15.85 (.624)	2
6	26-60-7060	42892-0084	42892-0101	26-60-7061	23.62 (.930)	19.81 (.780)	2
7	26-60-7070	42892-0085	42892-0102	26-60-7071	27.58 (1.086)	23.77 (.936)	2
8	26-60-7080	42892-0086	42892-0103	26-60-7081	31.55 (1.242)	27.74 (1.092)	2
9	26-60-7090	42892-0087	42892-0104	26-60-7091	35.51 (1.398)	31.70 (1.248)	2
10	26-60-7100	42892-0088	42892-0105	26-60-7101	39.47 (1.554)	35.66 (1.404)	2
11	26-60-7110	42892-0089	42892-0106	26-60-7111	43.43 (1.710)	39.62 (1.560)	2
12	26-60-7120	42892-0090	42892-0107	26-60-7121	47.40 (1.866)	43.59 (1.716)	2
13	26-60-7130	42892-0091	42892-0108	26-60-7131	51.36 (2.022)	47.55 (1.872)	2
14	26-60-7140	42892-0092	42892-0109	26-60-7141	55.32 (2.178)	51.51 (2.028)	2
15	26-60-7150	42892-0093	42892-0110	26-60-7151	59.28 (2.334)	55.47 (2.184)	2
16	26-60-7160	42892-0094	42892-0111	26-60-7161	63.25 (2.490)	59.44 (2.340)	2
17	26-60-7170	42892-0095	42892-0112	26-60-7171	67.21 (2.646)	63.40 (2.496)	2
18	26-60-7180	42892-0096	42892-0113	26-60-7181	71.17 (2.802)	67.36 (2.652)	2