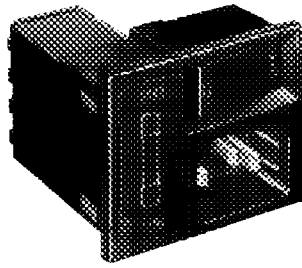
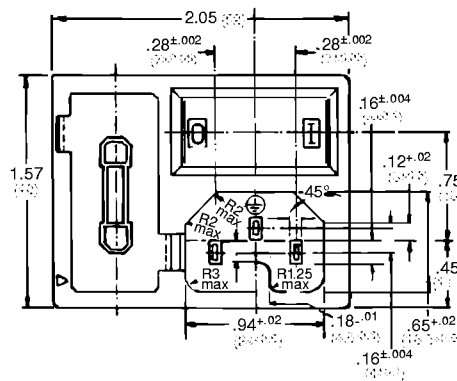


Combination Fuse Holder, On/Off Switch, Voltage Selector, and IEC Connector

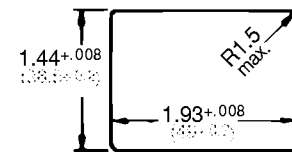
SNAP-IN
42R39



FACE DIMENSIONS SNAP-IN

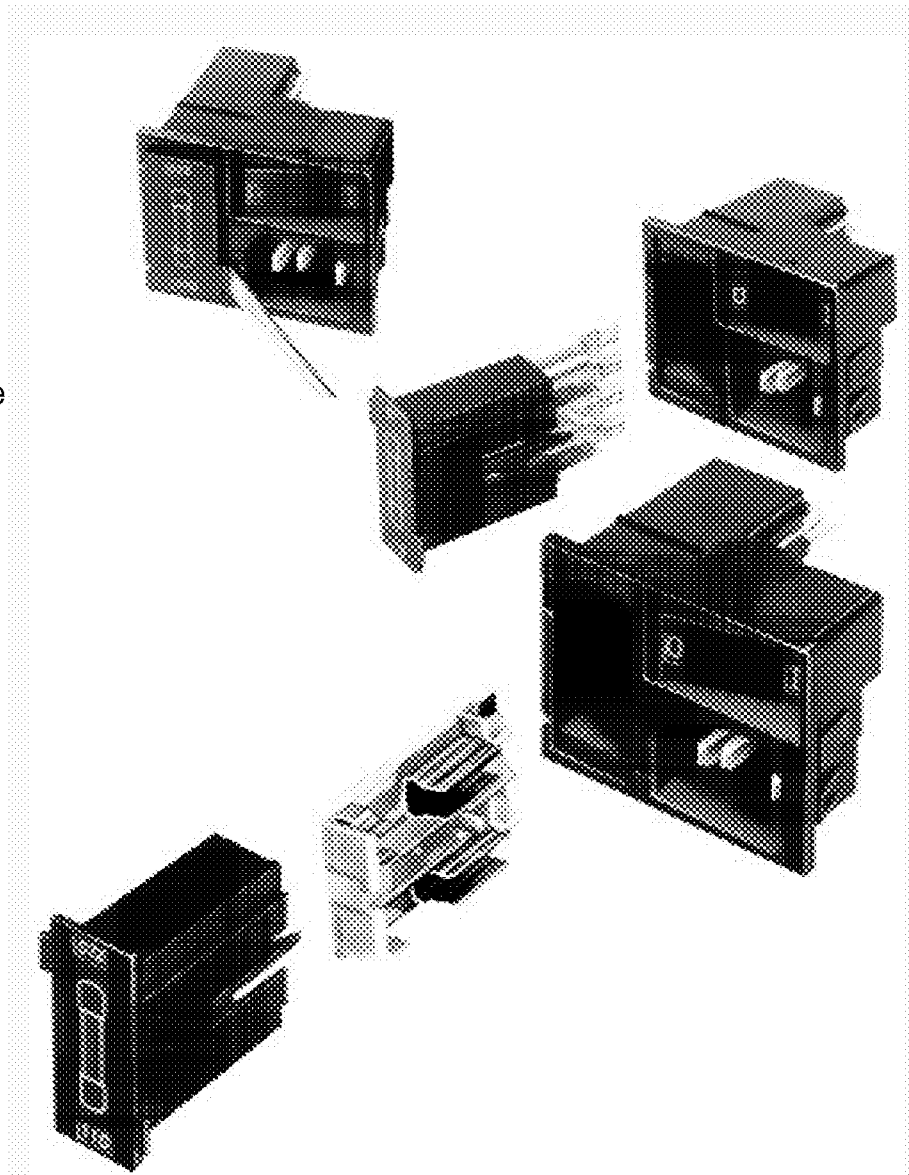


PANEL CUT-OUT



42R39 ACCEPTS BOTH
EUROPEAN 5x20mm OR
3 AG AMERICAN FUSES

- ⑩ Fuse holder snaps out.
- Lift locking tab on fuse cartridge and pull out fuse holder.
- ① Insert fuse (fuses) 5x20mm or 3 AG into fuse holder.
- ④ 115 Volt and 230 Volt easily changed by rotating cartridge so that desired voltage corresponds with indicator arrow.
- To insert fuse holder, snap back into fuse cartridge.
- ⑥ Insert cartridge back into connector housing.



SPECIFICATIONS

MATERIAL AND FINISH:

Housing:

Material: Polycarbonate
Rating: UL 94V-0

Contacts:

Quick Connect:

Material: Brass
Plating: Nickel

Solder:

Material: Copper
Plating: Tin

ELECTRICAL SPECIFICATIONS:

Insulation Resistance: 100 Megaohm min.@
500 VDC

Dielectric Strength: 2000 VAC for 1 minute

Specifications subject to change without notice. Metric dimensions are shown in parentheses. See pages 293-300 for mating power cords.

NOTE: We have modified our fuse cover markings to conform to the new European voltage standards to go in effect in 1995. Changing your specifications now will assure your compliance with these new standards.


PDI
Power Dynamics, Inc.

59 Lakeside Avenue · West Orange, N.J. 07052-0539 · 201 736-5722 · FAX: 201 736-8930

EXAMPLE & ORDERING CODE

42R39- 3 1 5 4 - 150

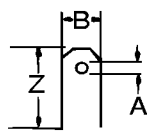
MECHANICAL MOUNTING CONFIGURATION

SNAP-IN  =3

COLOR
Other colors available on request.

BLACK =1
GRAY =2












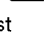
TERMINAL DIMENSIONS



	B	Z	A	
SOLDER TERMINAL	.11 (2.8)	.37 (9.4)	.12 x .06 (3.0 x 1.5)	=2
QUICK CONNECT TERMINAL	.250 (6.35)	.39 (10.0)	.06ø (1.53)	=5

.187 quick connect terminals available upon request

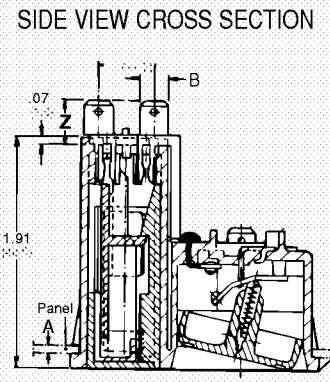
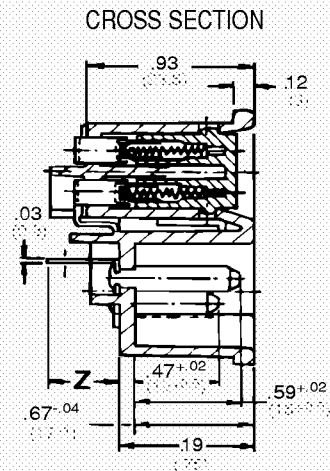
ELECTRICAL CIRCUIT CONFIGURATION

	10A 250V 65°C 2 Pole Switch 1 Fuse		=3
	10A 250V 65°C 2 Pole Switch 2 Fuse		=4
	10A 250V 120°C 2 Pole Switch 1 Fuse		=7
	10A 250V 120°C 2 Pole Switch 2 Fuse		=8
	10A 250V 65°C 2 Pole Switch 1 Fuse		=11
	10A 250V 65°C 2 Pole Switch 2 Fuse		=12

Single pole switch available upon request

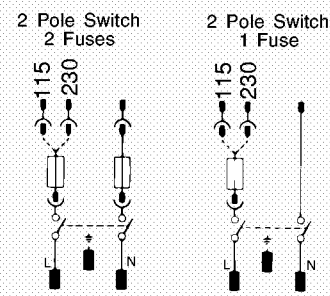
PANEL THICKNESS

.06 (1.5mm) =150
Additional panel thickness available on request .08 (2.0mm) =200



Same features as 42R37 but with Voltage Selector. Changes voltages by rotating fuse cartridge. Meets all international safety requirements. Fuse Holder accepts 3 AG American or 5 x 20mm European fuses.

Specifications subject to change without notice. (Metric dimensions are shown in parentheses.) See pages 293-300 for mating power cords.



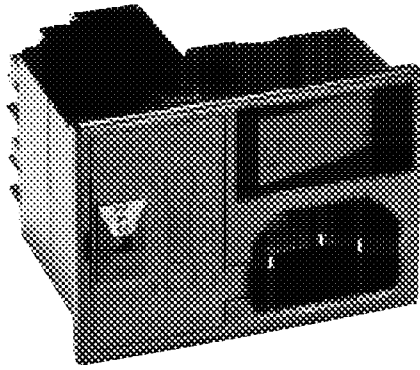
IEC CONNECTORS

18

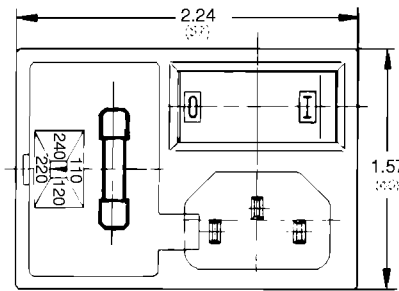


Combination Fuse Holder, On/Off Switch, Voltage Selector, and IEC Connector

SNAP-IN
42R41

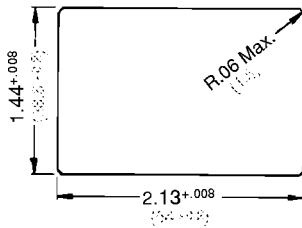


FACE DIMENSIONS SNAP-IN

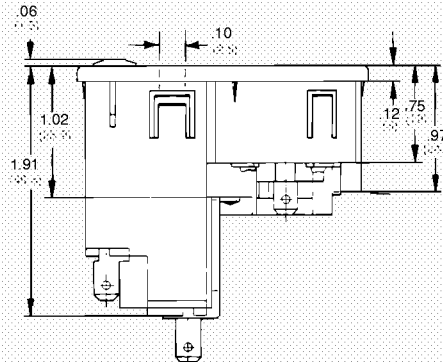


ACCEPTS BOTH
EUROPEAN 5x20mm OR
3 AG AMERICAN FUSES

PANEL CUT-OUT



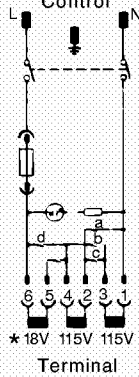
SIDE VIEW DIMENSIONS



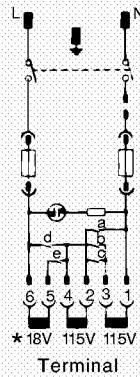
VOLTAGE
CIRCUIT

VOLTAGE	CONNECTED BY TERMINALS	CONTACT POSITION
115V	a, b, d	= closed
125V	a, b, e	= closed
230V	c, d	= closed
250V	c, e	= closed

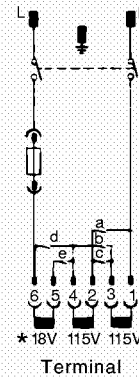
Circuit with
2 Pole
Switch
1 Fuse
Function
Control



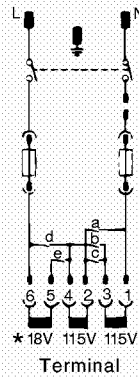
Circuit with
2 Pole Switch
2 Fuses
Function
Control



Circuit with
2 Pole Switch
1 Fuse



Circuit with
2 Pole Switch
2 Fuses



*Can be any voltage.

Specifications subject to change without notice. (Metric dimensions are shown in parentheses.)
See pages 293-300 for mating power cords.


NOTE: We have modified our fuse cover markings to conform to the new European voltage standards to go in effect in 1995. Changing your specifications now will assure your compliance with these new standards.



EXAMPLE & ORDERING CODE

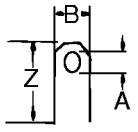
42R41- 3 1 2 3 - 150

MECHANICAL MOUNTING CONFIGURATION

SNAP-IN  WITHOUT LAMP =3
 WITH NEON LAMP =8

COLOR
 Other colors available on request. BLACK =1
 GRAY =2












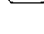
TERMINAL DIMENSIONS



	B	Z	A	
SOLDER TERMINAL	.11 (.00)	.37 (.03)	.12 x .06 (.00 x .10)	=2
QUICK CONNECT TERMINAL	.250 (.03)	.39 (.03)	.06ø (.05)	=5

.187 quick connect terminals available upon request

ELECTRICAL CIRCUIT CONFIGURATION

	10A 250V 65°C 2 Pole + Ground 1 Fuse		=3
	10A 250V 65°C 2 Pole + Ground 2 Fuse		=4
	10A 250V 120°C 2 Pole + Ground 1 Fuse		=7
	10A 250V 120°C 2 Pole + Ground 2 Fuse		=8
	10A 250V 65°C 2 Pole 1 Fuse		=11
	10A 250V 65°C 2 Pole 2 Fuse		=12

Single pole switch available upon request

PANEL THICKNESS

.06 (1.5mm)	=150
.08 (2.0mm)	=200
.10 (2.5mm)	=250

Additional panel thickness available on request.

Same features as 42R40 but with on/off power switch. Meets all international safety requirements.

SPECIFICATIONS

MATERIAL AND FINISH:

Housing:
 Material: Polycarbonate
 Rating: UL 94V-0

Contacts:

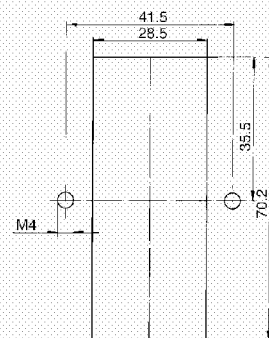
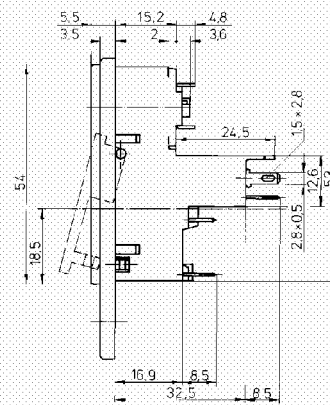
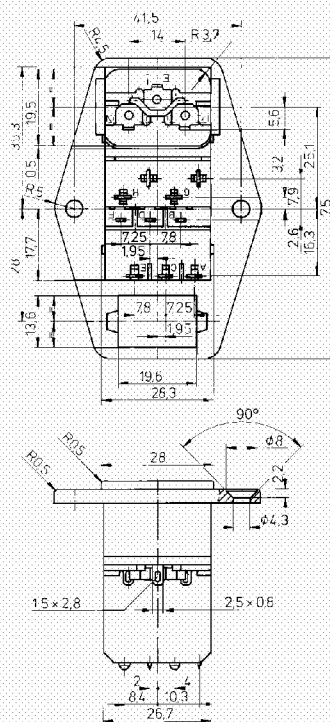
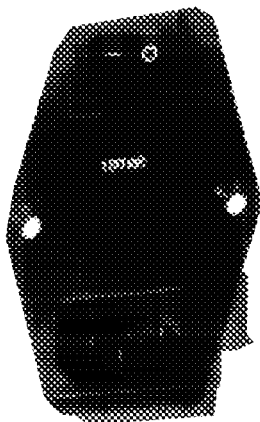
Quick Connect:
 Material: Brass
 Plating: Nickel
 Solder:
 Material: Copper
 Plating: Tin

ELECTRICAL SPECIFICATIONS:

Insulation Resistance: 100 Megaohm min. @ 500 VDC
 Dielectric Strength: 2000 VAC for 1 minute

Specifications subject to change without notice. (Metric dimensions are shown in parentheses.)
 See pages 293-300 for mating power cords.

42R71-1



IEC CONNECTORS

18

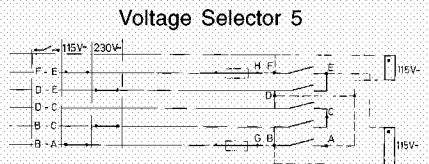
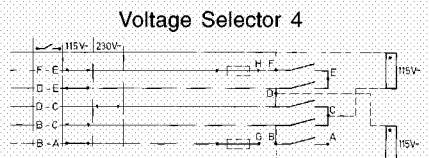
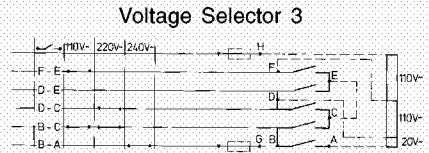
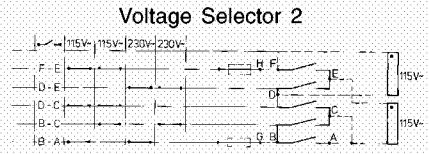
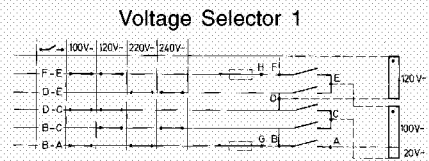
Specifications subject to change without notice. Dimensions in mm.
See page 293-300 for mating power cords.



EXAMPLE & ORDERING CODE

42R71 - 1 1 1 2 - 2

MECHANICAL MOUNTING CONFIGURATION: SIDE FLANGE = 1											
COLOR: BLACK = 1											
ELECTRICAL CIRCUIT CONFIGURATION: = 1											
FUSE SELECTION:	<table style="width: 100%; border-collapse: collapse;"> <tr> <td style="padding: 2px;">1 FUSE AMERICAN 3AG</td> <td style="text-align: right; padding: 2px;">= 1</td> </tr> <tr> <td style="padding: 2px;">2 FUSE AMERICAN 3AG</td> <td style="text-align: right; padding: 2px;">= 2</td> </tr> <tr> <td style="padding: 2px;">1 FUSE EUROPEAN 5mm x 20mm</td> <td style="text-align: right; padding: 2px;">= 3</td> </tr> <tr> <td style="padding: 2px;">2 FUSE EUROPEAN 5mm x 20mm</td> <td style="text-align: right; padding: 2px;">= 4</td> </tr> </table>	1 FUSE AMERICAN 3AG	= 1	2 FUSE AMERICAN 3AG	= 2	1 FUSE EUROPEAN 5mm x 20mm	= 3	2 FUSE EUROPEAN 5mm x 20mm	= 4		
1 FUSE AMERICAN 3AG	= 1										
2 FUSE AMERICAN 3AG	= 2										
1 FUSE EUROPEAN 5mm x 20mm	= 3										
2 FUSE EUROPEAN 5mm x 20mm	= 4										
VOLTAGE SELECTOR:	<table style="width: 100%; border-collapse: collapse;"> <tr> <td style="padding: 2px;">110, 120, 220, 240VAC</td> <td style="text-align: right; padding: 2px;">= 1</td> </tr> <tr> <td style="padding: 2px;">115, 115, 230, 230VAC</td> <td style="text-align: right; padding: 2px;">= 2</td> </tr> <tr> <td style="padding: 2px;">110, 220, 240VAC</td> <td style="text-align: right; padding: 2px;">= 3</td> </tr> <tr> <td style="padding: 2px;">115, 230VAC</td> <td style="text-align: right; padding: 2px;">= 4</td> </tr> <tr> <td style="padding: 2px;">115, 230VAC</td> <td style="text-align: right; padding: 2px;">= 5</td> </tr> </table>	110, 120, 220, 240VAC	= 1	115, 115, 230, 230VAC	= 2	110, 220, 240VAC	= 3	115, 230VAC	= 4	115, 230VAC	= 5
110, 120, 220, 240VAC	= 1										
115, 115, 230, 230VAC	= 2										
110, 220, 240VAC	= 3										
115, 230VAC	= 4										
115, 230VAC	= 5										



SPECIFICATIONS

MATERIAL AND FINISH:

Housing:
 Material: P.B.T.
 Rating: UL 94V-0

Contacts:
 Material: Copper Alloy
 Plating: Tin

Strips:
 Material: Brass
 Plating: Tin

ELECTRICAL SPECIFICATIONS:

Insulation Resistance: 100 Megaohm min. @ 500 VDC
 Dielectric Strength: 2000 VAC for 1 minute

Specifications subject to change without notice.
 See pages 293-300 for mating power cords.

IEC CONNECTORS

18

