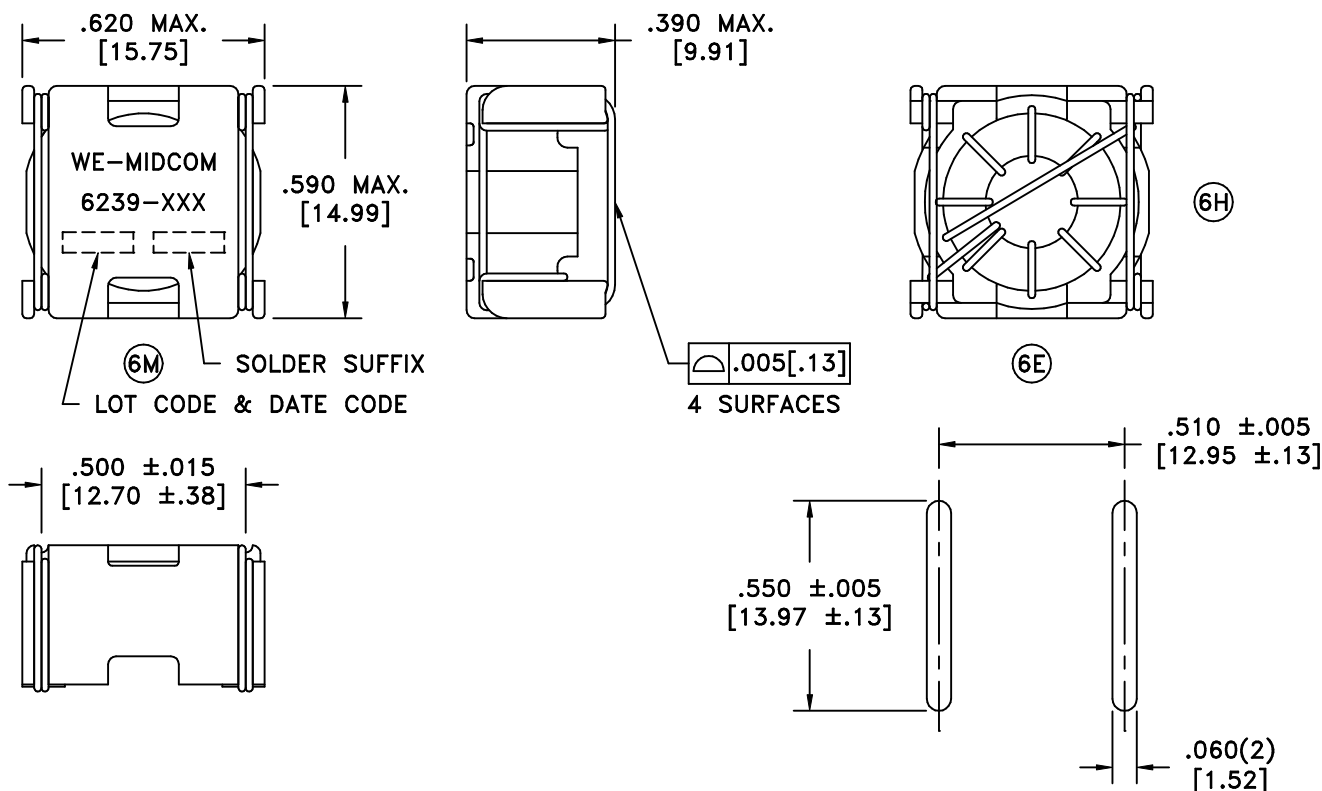


SOLDER SUFFIX	CUSTOMER TERMINAL	RoHS	LEAD(Pb)-FREE	(6M)
	Sn63%, Pb37%	No	No	
LF2	Sn98%, Cu2%	Yes	Yes	



ELECTRICAL SPECIFICATIONS @ 25°C unless otherwise noted:

NOTES:

- (6B) 1. Inductance test at 100kHz and 100mV.

MIDCOM P/N	L(no DC) uH(±20%)	Idc Amps	L(w/DC) uH(±20%)	DCR Max. Ohms
TIW-6239-7R9R/-LF2	7.90	7.80	4.90	0.012
TIW-6239-140R/-LF2	14.00	5.50	9.00	0.022
TIW-6239-410R/-LF2	40.50	2.70	29.10	0.085
TIW-6239-530R/-LF2	53.00	1.87	45.00	0.15
TIW-6239-112R/-LF2	1134.00	0.74	645.00	1.250
TIW-6239-381R/-LF2	377	0.68	300	1.00
TIW-6239-171R/-LF2	168	1.02	128	0.40

(6N)

(6J) (6L)

(6J)

DETAILS SUBJECT TO CHANGE

Midcom, Inc. Watertown, SD USA Toll Free: 800-643-2661 Fax: 605-886-4486	Unless otherwise specified: Tolerances: Fractions: ±1/64 Angles: ±1° Decimals: ±.005 [.13]		DWG.# TIW-6239-XXXXR/-LF2
	DRAWING TITLE <h1 style="text-align: center;">INDUCTOR</h1>		
This drawing is dual dimensioned. Dimensions in brackets are in millimeters.	REVISIONS: SEE SHEET 1	SCALE --- (6C) SHEET 2 OF 4	