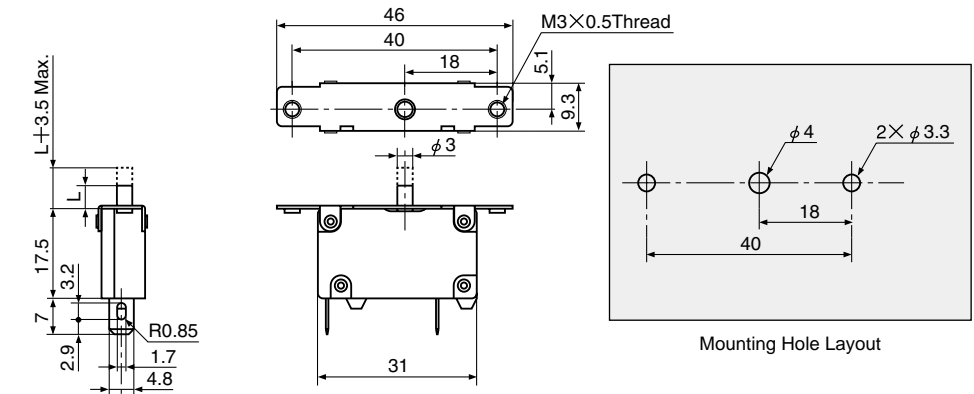
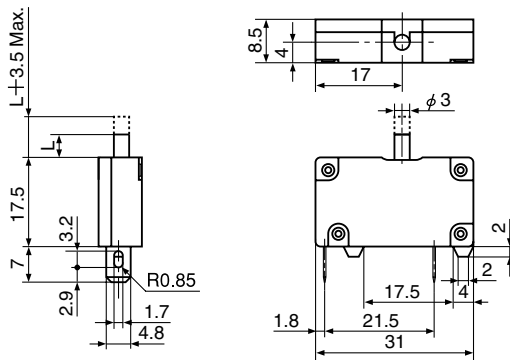


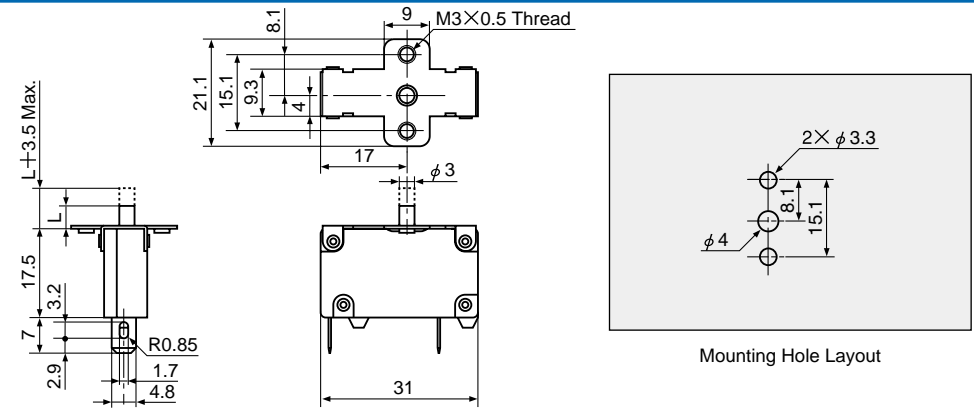
TBC5□01



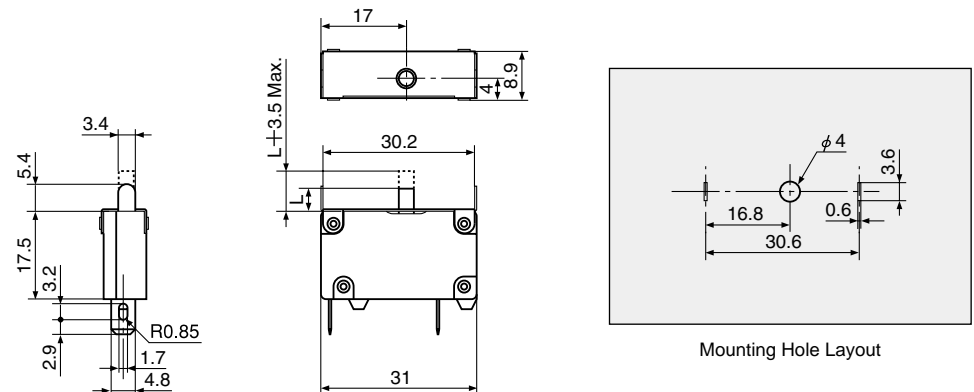
TBC5□21



TBC5□31



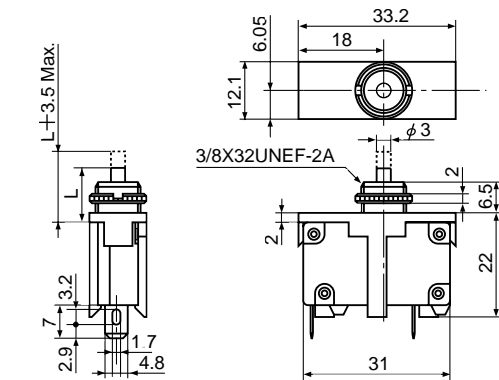
TBC5□41



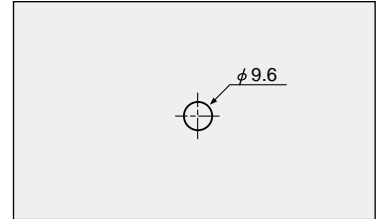
**TBC5□71**



**Manual Reset Type**



Knob Length : 8.5mm,11.5mm Only

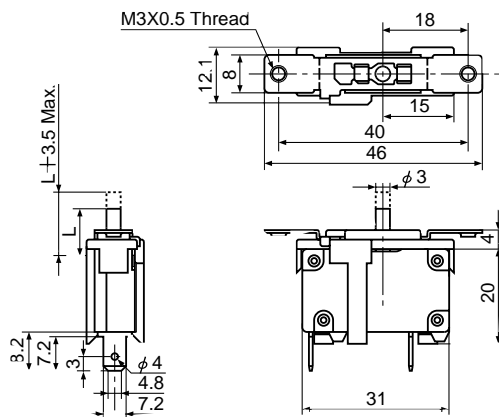


Mounting Hole Layout

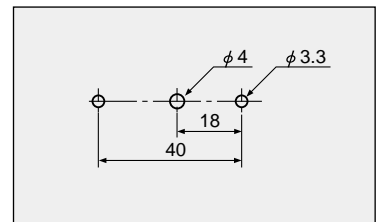
**TBC5401-11/TBC5601-11**



**Manual Reset Type**



Knob Length : 4.5mm,8.5mm,11.5mm Only

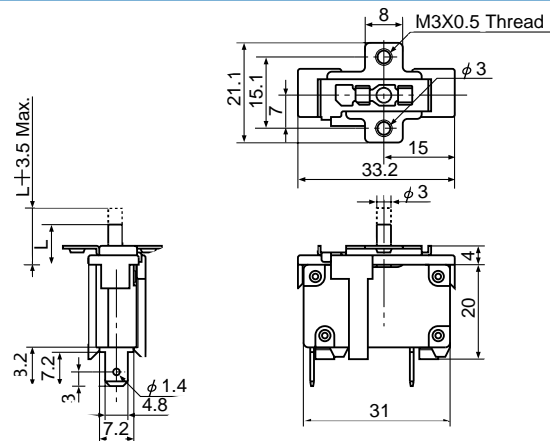


Mounting Hole Layout

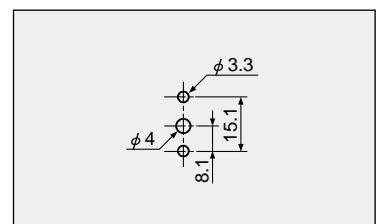
**TBC5431-11/TBC5631-11**



**Manual Reset Type**



Knob Length : 4.5mm,8.5mm,11.5mm Only



Mounting Hole Layout

Terminals		
1	2	3
<p>3.2, 7, 2.9, 1.7, 4.8, 0.5t, R0.85</p>	<p>3.2, 8, 6.35, 7.2, 5.2, 0.8t, <math>\phi 1.7</math></p>	<p>8.2, 7.2, 3, 7.2, 4.8, 0.8t, <math>\phi 1.4</math></p>
For TAB #187 (AMP Type)	For TAB #205 (AMP Type)	For TAB (VDE Type)

## Circuit Protectors TBC5000 Series (Manual Reset Type)

Example of Model No. in case of TBC5□□01

Type	Rated Current A	Safety Standards			Knob color: Yellow					Terminal	
		UL		CSA	VDE	Knob length: L(mm)					
		125 VAC	250 VAC	125 VAC	250 VAC	0	4.5	8.5	11.5		2
TBC5001-01 (125 VAC)	1.0	●		●		TBC5001-0110400	TBC5001-0110410	TBC5001-0110420	TBC5001-0110430	TBC5001-0110440	1
	1.25	●		●		TBC5001-0110500	TBC5001-0110510	TBC5001-0110520	TBC5001-0110530	TBC5001-0110540	
	1.6	●		●		TBC5001-0110600	TBC5001-0110610	TBC5001-0110620	TBC5001-0110630	TBC5001-0110640	
	2.0	●		●		TBC5001-0110700	TBC5001-0110710	TBC5001-0110720	TBC5001-0110730	TBC5001-0110740	
	2.5	●		●		TBC5001-0110800	TBC5001-0110810	TBC5001-0110820	TBC5001-0110830	TBC5001-0110840	
	3.15	●		●		TBC5001-0110900	TBC5001-0110910	TBC5001-0110920	TBC5001-0110930	TBC5001-0110940	
	3.5	●				TBC5001-0111800	TBC5001-0111810	TBC5001-0111820	TBC5001-0111830	TBC5001-0111840	
	4.0	●				TBC5001-0111000	TBC5001-0111010	TBC5001-0111020	TBC5001-0111030	TBC5001-0111040	
	5.0	●				TBC5001-0111100	TBC5001-0111110	TBC5001-0111120	TBC5001-0111130	TBC5001-0111140	
	6.3	●				TBC5001-0111200	TBC5001-0111210	TBC5001-0111220	TBC5001-0111230	TBC5001-0111240	
	8.0	●				TBC5001-0111300	TBC5001-0111310	TBC5001-0111320	TBC5001-0111330	TBC5001-0111340	
	10.0	●				TBC5001-0111400	TBC5001-0111410	TBC5001-0111420	TBC5001-0111430	TBC5001-0111440	
	12.0	●				TBC5001-0111700	TBC5001-0111710	TBC5001-0111720	TBC5001-0111730	TBC5001-0111740	
	15.0	●				TBC5001-0111500	TBC5001-0111510	TBC5001-0111520	TBC5001-0111530	TBC5001-0111540	
20.0	●				TBC5001-0111600	TBC5001-0111610	TBC5001-0111620	TBC5001-0111630	TBC5001-0111640		
TBC5001-20 (125 VAC)	3.5	●		●		TBC5001-2011800	TBC5001-2011810	TBC5001-2011820	TBC5001-2011830	TBC5001-2011840	1
	4.0	●		●		TBC5001-2011000	TBC5001-2011010	TBC5001-2011020	TBC5001-2011030	TBC5001-2011040	
	5.0	●		●		TBC5001-2011100	TBC5001-2011110	TBC5001-2011120	TBC5001-2011130	TBC5001-2011140	
	6.3	●		●		TBC5001-2011200	TBC5001-2011210	TBC5001-2011220	TBC5001-2011230	TBC5001-2011240	
	8.0	●		●		TBC5001-2011300	TBC5001-2011310	TBC5001-2011320	TBC5001-2011330	TBC5001-2011340	
	10.0	●		●		TBC5001-2011400	TBC5001-2011410	TBC5001-2011420	TBC5001-2011430	TBC5001-2011440	
	12.0	●		●		TBC5001-2011700	TBC5001-2011710	TBC5001-2011720	TBC5001-2011730	TBC5001-2011740	
15.0	●		●		TBC5001-2011500	TBC5001-2011510	TBC5001-2011520	TBC5001-2011530	TBC5001-2011540		
TBC5101 (125 VAC)	1.0					TBC5101-0110400	TBC5101-0110410	TBC5101-0110420	TBC5101-0110430	TBC5101-0110440	1
	1.25					TBC5101-0110500	TBC5101-0110510	TBC5101-0110520	TBC5101-0110530	TBC5101-0110540	
	1.6					TBC5101-0110600	TBC5101-0110610	TBC5101-0110620	TBC5101-0110630	TBC5101-0110640	
	2.0					TBC5101-0110700	TBC5101-0110710	TBC5101-0110720	TBC5101-0110730	TBC5101-0110740	
	2.5					TBC5101-0110800	TBC5101-0110810	TBC5101-0110820	TBC5101-0110830	TBC5101-0110840	
	3.15					TBC5101-0110900	TBC5101-0110910	TBC5101-0110920	TBC5101-0110930	TBC5101-0110940	
	3.5					TBC5101-0111800	TBC5101-0111810	TBC5101-0111820	TBC5101-0111830	TBC5101-0111840	
	4.0					TBC5101-0111000	TBC5101-0111010	TBC5101-0111020	TBC5101-0111030	TBC5101-0111040	
	5.0					TBC5101-0111100	TBC5101-0111110	TBC5101-0111120	TBC5101-0111130	TBC5101-0111140	
	6.3					TBC5101-0111200	TBC5101-0111210	TBC5101-0111220	TBC5101-0111230	TBC5101-0111240	
	8.0					TBC5101-0111300	TBC5101-0111310	TBC5101-0111320	TBC5101-0111330	TBC5101-0111340	
	10.0					TBC5101-0111400	TBC5101-0111410	TBC5101-0111420	TBC5101-0111430	TBC5101-0111440	
	12.0					TBC5101-0111700	TBC5101-0111710	TBC5101-0111720	TBC5101-0111730	TBC5101-0111740	
	15.0					TBC5101-0111500	TBC5101-0111510	TBC5101-0111520	TBC5101-0111530	TBC5101-0111540	
20.0					TBC5101-0111600	TBC5101-0111610	TBC5101-0111620	TBC5101-0111630	TBC5101-0111640		
TBC5201-01 (250 VAC)	1.0					TBC5201-0110400	TBC5201-0110410	TBC5201-0110420	TBC5201-0110430	TBC5201-0110440	1
	1.25					TBC5201-0110500	TBC5201-0110510	TBC5201-0110520	TBC5201-0110530	TBC5201-0110540	
	1.6					TBC5201-0110600	TBC5201-0110610	TBC5201-0110620	TBC5201-0110630	TBC5201-0110640	
	2.0					TBC5201-0110700	TBC5201-0110710	TBC5201-0110720	TBC5201-0110730	TBC5201-0110740	
	2.5					TBC5201-0110800	TBC5201-0110810	TBC5201-0110820	TBC5201-0110830	TBC5201-0110840	
	3.15					TBC5201-0110900	TBC5201-0110910	TBC5201-0110920	TBC5201-0110930	TBC5201-0110940	
	3.5					TBC5201-0111800	TBC5201-0111810	TBC5201-0111820	TBC5201-0111830	TBC5201-0111840	
	4.0					TBC5201-0111000	TBC5201-0111010	TBC5201-0111020	TBC5201-0111030	TBC5201-0111040	
	5.0					TBC5201-0111100	TBC5201-0111110	TBC5201-0111120	TBC5201-0111130	TBC5201-0111140	
	6.3					TBC5201-0111200	TBC5201-0111210	TBC5201-0111220	TBC5201-0111230	TBC5201-0111240	
	8.0					TBC5201-0111300	TBC5201-0111310	TBC5201-0111320	TBC5201-0111330	TBC5201-0111340	
	10.0					TBC5201-0111400	TBC5201-0111410	TBC5201-0111420	TBC5201-0111430	TBC5201-0111440	
	12.0					TBC5201-0111700	TBC5201-0111710	TBC5201-0111720	TBC5201-0111730	TBC5201-0111740	
	15.0					TBC5201-0111500	TBC5201-0111510	TBC5201-0111520	TBC5201-0111530	TBC5201-0111540	
20.0					TBC5201-0111600	TBC5201-0111610	TBC5201-0111620	TBC5201-0111630	TBC5201-0111640		

## Circuit Protectors TBC5000 Series (Manual Reset Type)

Example of Model No. in case of TBC5□□01

Type	Rated Current A	Safety Standards				Knob color: Yellow					Terminal
		UL		CSA	VDE	Knob length: L(mm)					
		125 VAC	250 VAC	125 VAC	250 VAC	0	4.5	8.5	11.5	2	
TBC5301-01 (250 VAC)	1.0	●				TBC5301-0110400	TBC5301-0110410	TBC5301-0110420	TBC5301-0110430	TBC5301-0110440	1
	1.25	●				TBC5301-0110500	TBC5301-0110510	TBC5301-0110520	TBC5301-0110530	TBC5301-0110540	
	1.6	●				TBC5301-0110600	TBC5301-0110610	TBC5301-0110620	TBC5301-0110630	TBC5301-0110640	
	2.0	●				TBC5301-0110700	TBC5301-0110710	TBC5301-0110720	TBC5301-0110730	TBC5301-0110740	
	2.5	●				TBC5301-0110800	TBC5301-0110810	TBC5301-0110820	TBC5301-0110830	TBC5301-0110840	
	3.15	●				TBC5301-0110900	TBC5301-0110910	TBC5301-0110920	TBC5301-0110930	TBC5301-0110940	
	3.5	●				TBC5301-0111800	TBC5301-0111810	TBC5301-0111820	TBC5301-0111830	TBC5301-0111840	
	4.0	●				TBC5301-0111000	TBC5301-0111010	TBC5301-0111020	TBC5301-0111030	TBC5301-0111040	
	5.0	●				TBC5301-0111100	TBC5301-0111110	TBC5301-0111120	TBC5301-0111130	TBC5301-0111140	
	6.3	●				TBC5301-0111200	TBC5301-0111210	TBC5301-0111220	TBC5301-0111230	TBC5301-0111240	
	8.0	●				TBC5301-0111300	TBC5301-0111310	TBC5301-0111320	TBC5301-0111330	TBC5301-0111340	
10.0	●				TBC5301-0111400	TBC5301-0111410	TBC5301-0111420	TBC5301-0111430	TBC5301-0111440		
TBC5401-01 (250 VAC)	1.0				●	TBC5401-0110400	TBC5401-0110410	TBC5401-0110420	TBC5401-0110430	TBC5401-0110440	3
	1.25				●	TBC5401-0110500	TBC5401-0110510	TBC5401-0110520	TBC5401-0110530	TBC5401-0110540	
	1.6				●	TBC5401-0110600	TBC5401-0110610	TBC5401-0110620	TBC5401-0110630	TBC5401-0110640	
	2.0				●	TBC5401-0110700	TBC5401-0110710	TBC5401-0110720	TBC5401-0110730	TBC5401-0110740	
	2.5				●	TBC5401-0110800	TBC5401-0110810	TBC5401-0110820	TBC5401-0110830	TBC5401-0110840	
	3.15				●	TBC5401-0110900	TBC5401-0110910	TBC5401-0110920	TBC5401-0110930	TBC5401-0110940	
	3.5				●	TBC5401-0111800	TBC5401-0111810	TBC5401-0111820	TBC5401-0111830	TBC5401-0111840	
	4.0				●	TBC5401-0111000	TBC5401-0111010	TBC5401-0111020	TBC5401-0111030	TBC5401-0111040	
	5.0				●	TBC5401-0111100	TBC5401-0111110	TBC5401-0111120	TBC5401-0111130	TBC5401-0111140	
	6.3				●	TBC5401-0111200	TBC5401-0111210	TBC5401-0111220	TBC5401-0111230	TBC5401-0111240	
	8.0				●	TBC5401-0111300	TBC5401-0111310	TBC5401-0111320	TBC5401-0111330	TBC5401-0111340	
	10.0				●	TBC5401-0111400	TBC5401-0111410	TBC5401-0111420	TBC5401-0111430	TBC5401-0111440	
	12.0				●	TBC5401-0111700	TBC5401-0111710	TBC5401-0111720	TBC5401-0111730	TBC5401-0111740	
15.0				●	TBC5401-0111500	TBC5401-0111510	TBC5401-0111520	TBC5401-0111530	TBC5401-0111540		
20.0				●	TBC5401-0111600	TBC5401-0111610	TBC5401-0111620	TBC5401-0111630	TBC5401-0111640		
TBC5601-01 (125, 250 VAC)	1.0	●	●	●	●	TBC5601-0110400	TBC5601-0110410	TBC5601-0110420	TBC5601-0110430	TBC5601-0110440	3
	1.25	●	●	●	●	TBC5601-0110500	TBC5601-0110510	TBC5601-0110520	TBC5601-0110530	TBC5601-0110540	
	1.6	●	●	●	●	TBC5601-0110600	TBC5601-0110610	TBC5601-0110620	TBC5601-0110630	TBC5601-0110640	
	2.0	●	●	●	●	TBC5601-0110700	TBC5601-0110710	TBC5601-0110720	TBC5601-0110730	TBC5601-0110740	
	2.5	●	●	●	●	TBC5601-0110800	TBC5601-0110810	TBC5601-0110820	TBC5601-0110830	TBC5601-0110840	
	3.15	●	●	●	●	TBC5601-0110900	TBC5601-0110910	TBC5601-0110920	TBC5601-0110930	TBC5601-0110940	
	3.5	●	●	●	●	TBC5601-0111800	TBC5601-0111810	TBC5601-0111820	TBC5601-0111830	TBC5601-0111840	
	4.0	●	●	●	●	TBC5601-0111000	TBC5601-0111010	TBC5601-0111020	TBC5601-0111030	TBC5601-0111040	
	5.0	●	●	●	●	TBC5601-0111100	TBC5601-0111110	TBC5601-0111120	TBC5601-0111130	TBC5601-0111140	
	6.3	●	●	●	●	TBC5601-0111200	TBC5601-0111210	TBC5601-0111220	TBC5601-0111230	TBC5601-0111240	
	8.0	●	●	●	●	TBC5601-0111300	TBC5601-0111310	TBC5601-0111320	TBC5601-0111330	TBC5601-0111340	
	10.0	●	●	●	●	TBC5601-0111400	TBC5601-0111410	TBC5601-0111420	TBC5601-0111430	TBC5601-0111440	
	12.0	●		●	●	TBC5601-0111700	TBC5601-0111710	TBC5601-0111720	TBC5601-0111730	TBC5601-0111740	
	15.0	●		●	●	TBC5601-0111500	TBC5601-0111510	TBC5601-0111520	TBC5601-0111530	TBC5601-0111540	
20.0	●			●	TBC5601-0111600	TBC5601-0111610	TBC5601-0111620	TBC5601-0111630	TBC5601-0111640		

**Note)** End of Model No. having red knob will change 0 to 1.  
 Example TBC5001-0110400 → TBC5001-0110401