

MEMPAK Header Part Number

MCH 068 T A L XX 01 A TR30

Memory Card Headers

Number of Contacts
68 or 136 Position

Mounting Styles
T-Top Mount, Right Angle
B-Bottom Mount, Right Angle

Contact Styles
A-Thru Hole

Header Style
L-Left Eject
N-No Eject
R-Right Eject

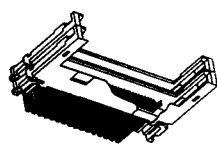
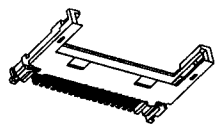
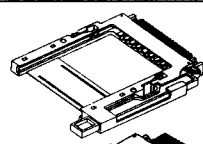
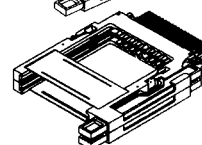
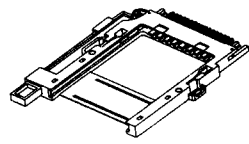
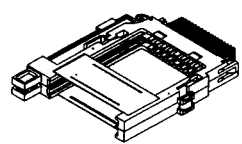
Contact Plating
TR30-30 microinch ROBEX®

ESD/Solder Retent Clip
A-No ESD, No Solder Clip
C-ESD, No Solder Clip

Insulator Body Style
01-Standard, Single Profile
02-4mm Standoff, Single Profile
03-7mm Standoff, Single Profile
05-2.5mm Standoff, Single Profile (Eject Only)
07-5.0mm Standoff, Single Profile (Non-Eject Only)
21-Standard, Stacked Profile

Profile:
Blank-Standard
PK-Low Profile (MCH068TANLPK-TR30 only)

Contact factory for alternative PCB terminations.

Description	View	Page
PCMCIA Spec single or stacked headers in high-temp plastic with <u>no</u> eject. Available with standoff heights in top or bottom mount. PCB retention and ESD are optional.	MCH068TAN01ATR30 → 	340-343
	MCH136TAN21ATR30 → 	344-345
PCMCIA Spec single or stacked headers in high-temp plastic with <u>right</u> eject. Available with standoff heights in top or bottom mount. PCB retention and ESD are optional.	MCH068TAR01ATR30 → 	346-349
	MCH136TAR21ATR30 → 	350-351
PCMCIA Spec single or stacked headers in high-temp plastic with <u>left</u> eject. Available with standoff heights in top or bottom mount. PCB retention and ESD are optional.	MCH068TAL01ATR30 → 	352-355
	MCH136TAL21ATR30 → 	356-357



New New Options; See Pages 378-379