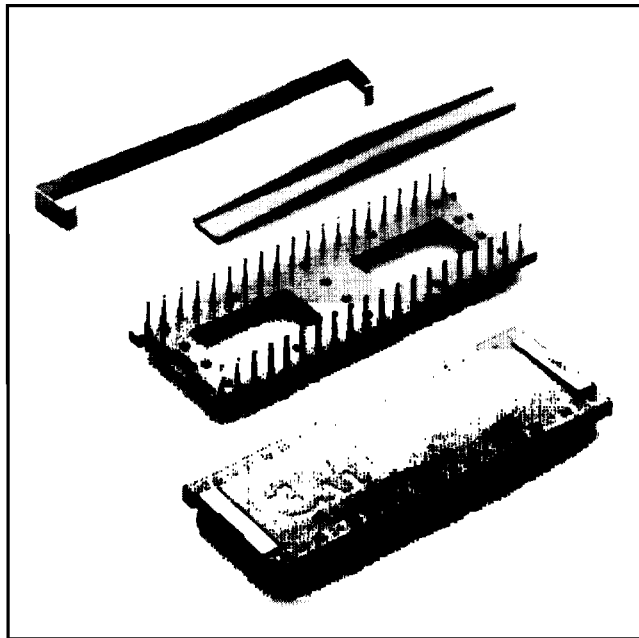


# Dual-In-Line Plug

MIL-C-83503/6 Qualified



- Meets all dimensional and performance requirements of MIL-C-83503
- Fits standard IC sockets
- Strong legs, less susceptible to bending or breaking
- Low profile

169

TS-0124-04  
Sheet 1 of 2

## Physical

### Insulation

Material: Glass Filled Polyester (PBT) Per MIL-M-24519

Color: Gray

### Contact

Material: Beryllium Copper per QQ-C-533

Plating

Underplate: 100  $\mu$ " [ 2.54  $\mu$ m ] Nickel — QQ-N-290, Class 2

Wiping Area: 50  $\mu$ " [ 1.27  $\mu$ m ] Gold — MIL-G-45204, Type II, Grade C, Class I

Wire Accomodation: 26 & 28 AWG Solid or Stranded, 30 AWG Solid

Marking: 3M Logo, Part Identification and Contact Position Numbers.

Printed Figures: Military Part Numbers Date Code

## Electrical

Current Rating: 1 A

Insulation Resistance:  $> 1 \times 10^9 \Omega$  at 500 VDC

Withstanding Voltage: 1000 Vrms to Sea Level

## Environmental

Temperature Rating:  $-55^\circ\text{C}$  to  $+120^\circ\text{C}$

CAGE (FSCM) No.: 53387

UL File No.: E68080

CSA File No.: LR 40791

### 3M Electronic Products Division

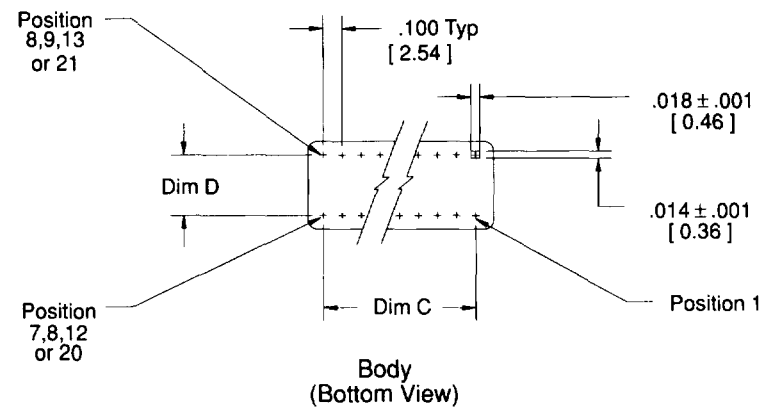
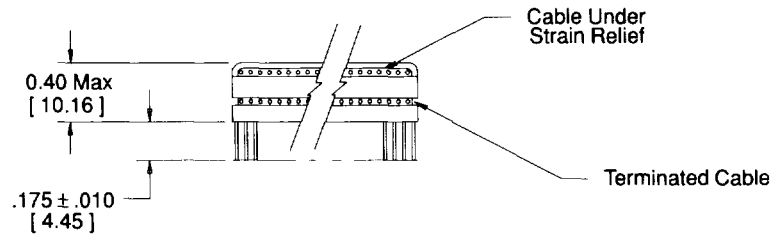
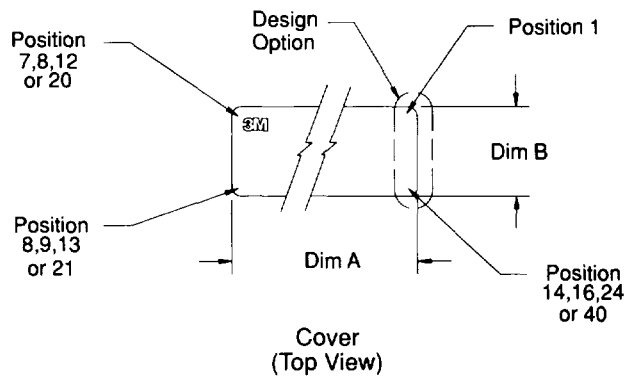
6801 River Place Blvd.  
Austin, TX 78726-9000

# Dual-In-Line Plug

MIL-C-83503/6 Qualified

Sheet 2 of 2

TS-0124-04



Inch  
[mm]

| Tolerance Unless Noted |      |       |        |
|------------------------|------|-------|--------|
|                        | .0   | .00   | .000   |
| Inch                   | ± .1 | ± .01 | ± .005 |

[ ] Dimensions for Reference Only

## Ordering Information

| Contact Quantity | 3M Part Number    | Military Part Number | Dim A         | Dim B         | Dim C         | Dim D         |
|------------------|-------------------|----------------------|---------------|---------------|---------------|---------------|
| 14               | <b>M3406-0000</b> | M83503/6-01          | 0.75 [ 19.1 ] | 0.42 [ 10.7 ] | 0.60 [ 15.2 ] | 0.30 [ 7.6 ]  |
| 16               | <b>M3416-0000</b> | M83503/6-02          | 0.85 [ 21.6 ] | 0.42 [ 10.7 ] | 0.70 [ 17.7 ] | 0.30 [ 7.6 ]  |
| 24               | <b>M3460-0000</b> | M83503/6-03          | 1.25 [ 31.7 ] | 0.72 [ 18.3 ] | 1.10 [ 27.9 ] | 0.60 [ 15.2 ] |
| 40               | <b>M3508-0000</b> | M83503/6-08          | 2.05 [ 52.1 ] | 0.72 [ 18.3 ] | 1.90 [ 48.3 ] | 0.60 [ 15.2 ] |