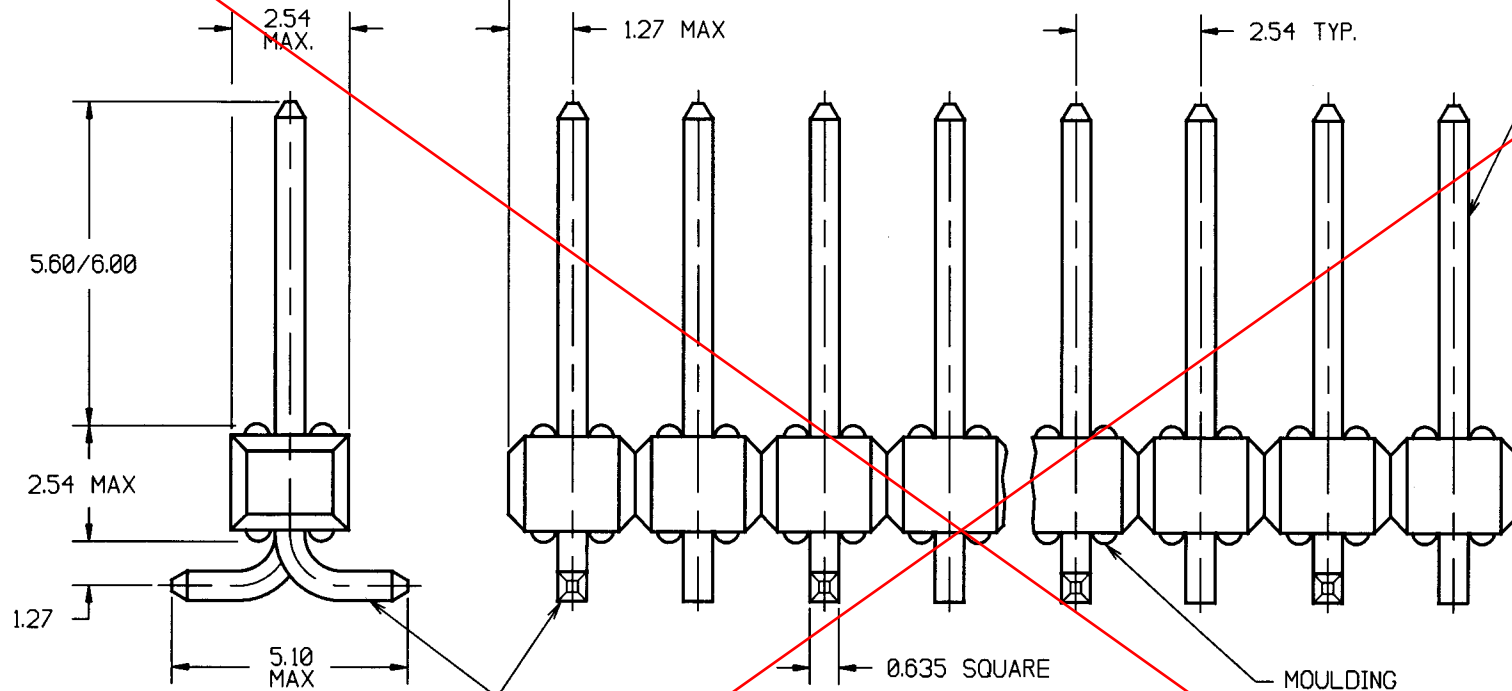


"L MAX" = 2.54 x No OF WAYS
(E.G 10-WAYS x 2.54 = 25.40)



PINS
 MATERIAL : PHOSPHOR BRONZE
 PLATING FINISHES :
 06 = 3u TIN/LEAD ON NICKEL
 22 = 0.13u GOLD ON CONTACT
 FACE OVER 0.76u NICKEL,
 3u 90/10 TIN/LEAD ON
 P.C TAILS.

Moulding
 MATERIAL : POLYAMIDE 46
 RATED UL94V-0
 FINISH : NATURAL

No.1 CONTACT POSITION
 RIGHT-HAND ORIENTATION

OBSOLETE

CUSTOMER INFORMATION SHEET

ORDER CODE:
M20-880XXXX

No OF WAYS (2 TO 36 WAYS)
 FINISH:-
 06 = TIN/LEAD
 22 = SELECTIVE GOLD

1	14.09.94	
ISS.	DATE	C/N
DRAWN: PDC		
CHECKED: <i>[Signature]</i>		
APPD.: <i>[Signature]</i>		
CUSTOMER REF.		
ASSEMBLY DRG:		



TOLERANCES	
X.	±1mm
X.X	±0.25mm
X.XX	±0.10mm
X.XXX	±0.01mm
ANGLES	±1°

MATERIAL:
 FINISH:
 S/AREA: mm²

TITLE: SURFACE MOUNT
 PIN HEADER ASSEMBLY
 (S.I.L RIGHT-HAND LEAD)

HARWIN PLC
 U.K
 TEL: (0705) 370451
 FAX: (0705) 324010

HARWIN INC
 U.S.A.
 TEL: (812) 285-0055
 FAX: (812) 285-0056

HARWIN PTE
 SINGAPORE
 TEL: 7794909
 FAX: 7793868

IF IN DOUBT - ASK

DRAWING NUMBER:
M20-880XXXX

SHT.
 2 OF 2