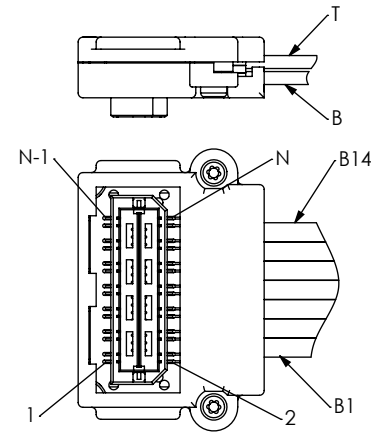
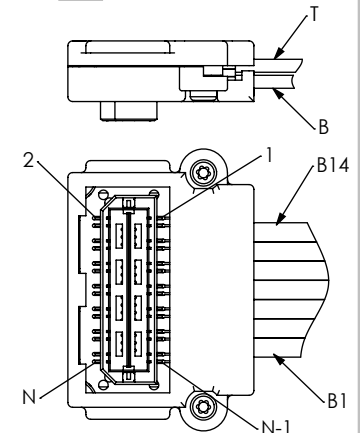


-TBR



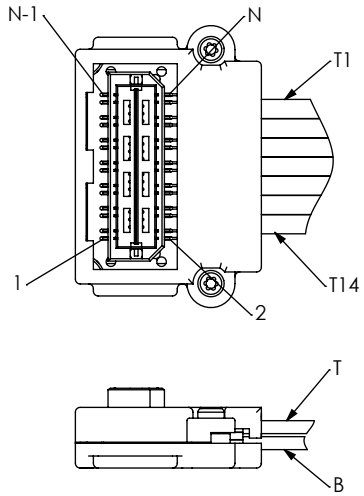
WIRING OPTION	FIRST END PIN #	SECOND END PIN #	WIRE NUMBER
1	1	1	T1
2	1	2	T1
3	1	N-1	T1
4	1	N	T1

-TBL



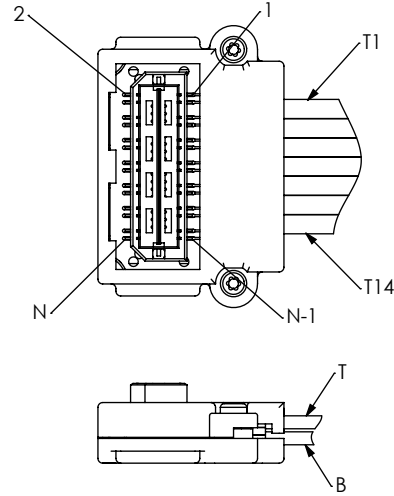
WIRING OPTION	FIRST END PIN #	SECOND END PIN #	WIRE NUMBER
1	1	1	B14
2	1	2	B14
3	1	N-1	B14
4	1	N	B14

-TTR



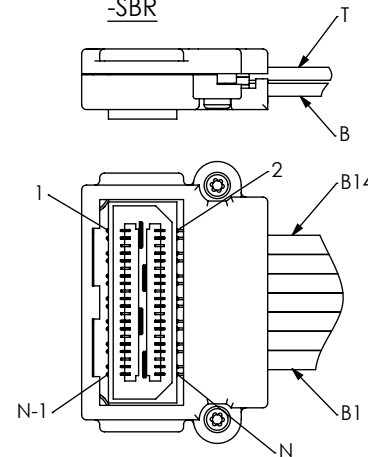
WIRING OPTION	FIRST END PIN #	SECOND END PIN #	WIRE NUMBER
1	1	1	B14
2	1	2	B14
3	1	N-1	B14
4	1	N	B14

-TTL



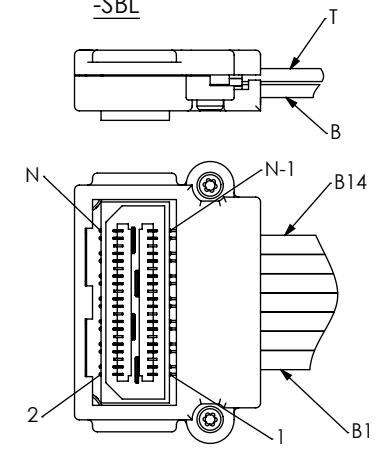
WIRING OPTION	FIRST END PIN #	SECOND END PIN #	WIRE NUMBER
1	1	1	T1
2	1	2	T1
3	1	N-1	T1
4	1	N	T1

-SBR



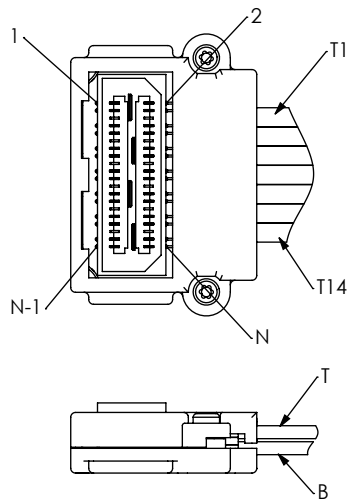
WIRING OPTION	FIRST END PIN #	SECOND END PIN #	WIRE NUMBER
1	1	1	T14
2	1	2	T14
3	1	N-1	T14
4	1	N	T14

-SBL



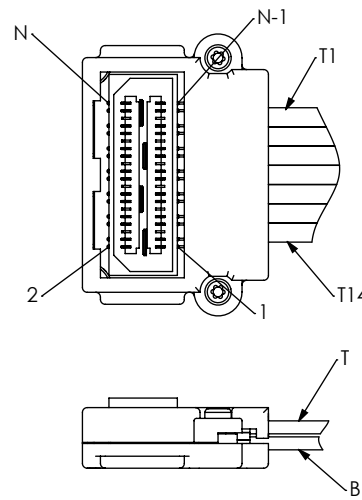
WIRING OPTION	FIRST END PIN #	SECOND END PIN #	WIRE NUMBER
1	1	1	B1
2	1	2	B1
3	1	N-1	B1
4	1	N	B1

-STR



WIRING OPTION	FIRST END PIN #	SECOND END PIN #	WIRE NUMBER
1	1	1	B1
2	1	2	B1
3	1	N-1	B1
4	1	N	B1

-STL



WIRING OPTION	FIRST END PIN #	SECOND END PIN #	WIRE NUMBER
1	1	1	T14
2	1	2	T14
3	1	N-1	T14
4	1	N	T14

PROPRIETARY NOTE

THIS DOCUMENT CONTAINS INFORMATION CONFIDENTIAL AND PROPRIETARY TO SAMTEC, INC. AND SHALL NOT BE REPRODUCED OR TRANSFERRED TO OTHER DOCUMENTS OR DISCLOSED TO OTHERS OR USED FOR ANY PURPOSE OTHER THAN THAT WHICH IT WAS OBTAINED WITHOUT THE EXPRESSED WRITTEN CONSENT OF SAMTEC, INC.

DO NOT SCALE DRAWING

SHEET SCALE: 1:25:1

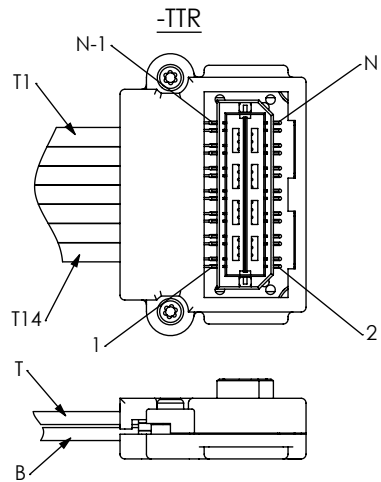


520 PARK EAST BLVD. NEW ALBANY, IN 47150
 PHONE: 812-944-6733 FAX: 812-948-5047
 e-Mail: info@SAMTEC.com code: 55322

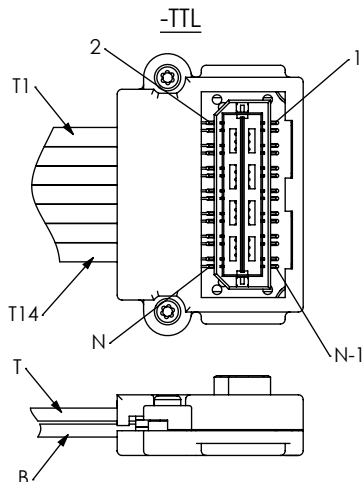
DESCRIPTION:
 0.8mm HIGH-SPEED TWIN-AX CABLE ASSEMBLY

DWG. NO.
 EQDP-XXX-XX.XX-XXX-XXX-X-X

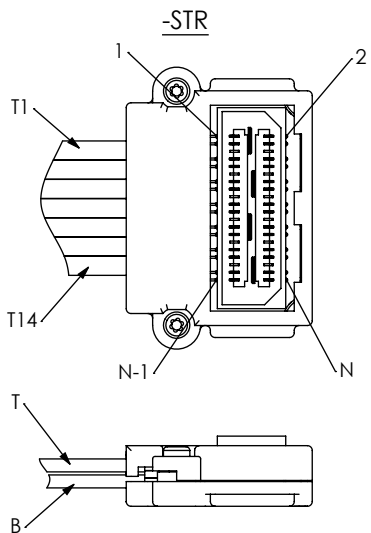
BY: BRATCHER 11/13/03 SHEET 2 OF 7



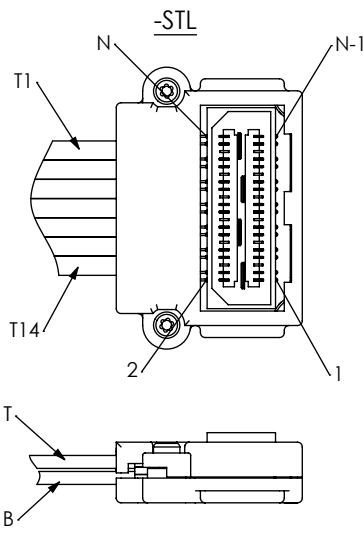
WIRING OPTION	FIRST END PIN #	SECOND END PIN #
1	1	1
2	1	2
3	1	N-1
4	1	N



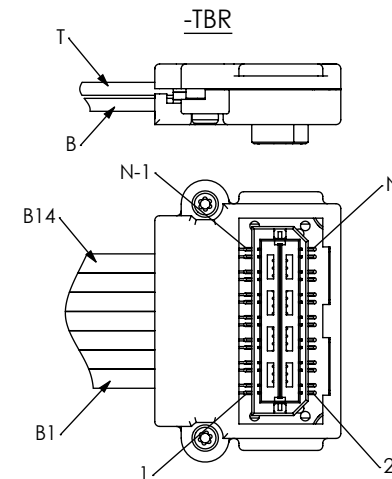
WIRING OPTION	FIRST END PIN #	SECOND END PIN #
1	1	1
2	1	2
3	1	N-1
4	1	N



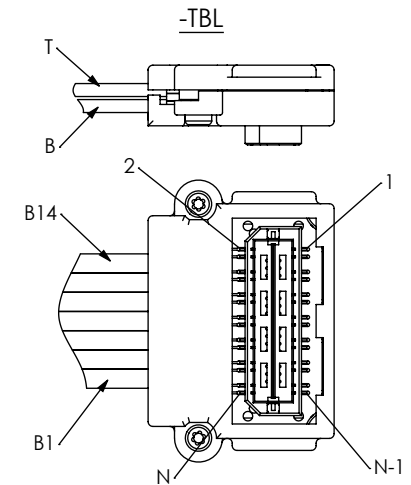
WIRING OPTION	FIRST END PIN #	SECOND END PIN #
1	1	1
2	1	2
3	1	N-1
4	1	N



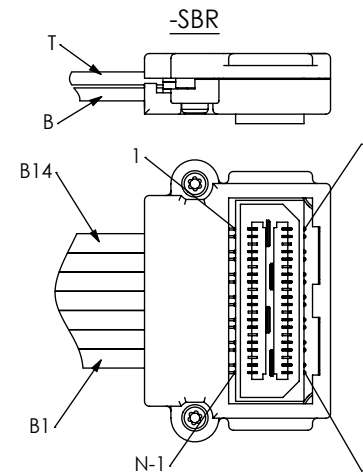
WIRING OPTION	FIRST END PIN #	SECOND END PIN #
1	1	1
2	1	2
3	1	N-1
4	1	N



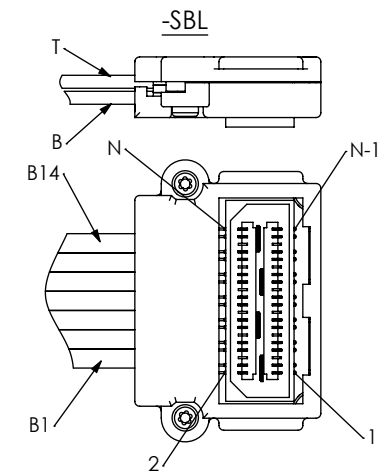
WIRING OPTION	FIRST END PIN #	SECOND END PIN #
1	1	1
2	1	2
3	1	N-1
4	1	N



WIRING OPTION	FIRST END PIN #	SECOND END PIN #
1	1	1
2	1	2
3	1	N-1
4	1	N



WIRING OPTION	FIRST END PIN #	SECOND END PIN #
1	1	1
2	1	2
3	1	N-1
4	1	N



WIRING OPTION	FIRST END PIN #	SECOND END PIN #
1	1	1
2	1	2
3	1	N-1
4	1	N

PROPRIETARY NOTE
 THIS DOCUMENT CONTAINS INFORMATION CONFIDENTIAL AND PROPRIETARY TO SAMTEC, INC. AND SHALL NOT BE REPRODUCED OR TRANSFERRED TO OTHER DOCUMENTS OR DISCLOSED TO OTHERS OR USED FOR ANY PURPOSE OTHER THAN THAT WHICH IT WAS OBTAINED WITHOUT THE EXPRESSED WRITTEN CONSENT OF SAMTEC, INC.

DO NOT SCALE DRAWING

SHEET SCALE: 1:25:1



520 PARK EAST BLVD. NEW ALBANY, IN 47150
 PHONE: 812-944-6733 FAX: 812-948-5047
 e-Mail: info@SAMTEC.com code: 55322

DESCRIPTION:
 0.8mm HIGH-SPEED TWIN-AX CABLE ASSEMBLY

DWG. NO.
 EQDP-XXX-XX.XX-XXX-XXX-X-X

BY: BRATCHER 11/13/03 SHEET 3 OF 7

FIRST END - EDGE MOUNT (SEE TABLE 9, SHEET 7)

SECOND END - EDGE MOUNT (SEE TABLE 9, SHEET 7)

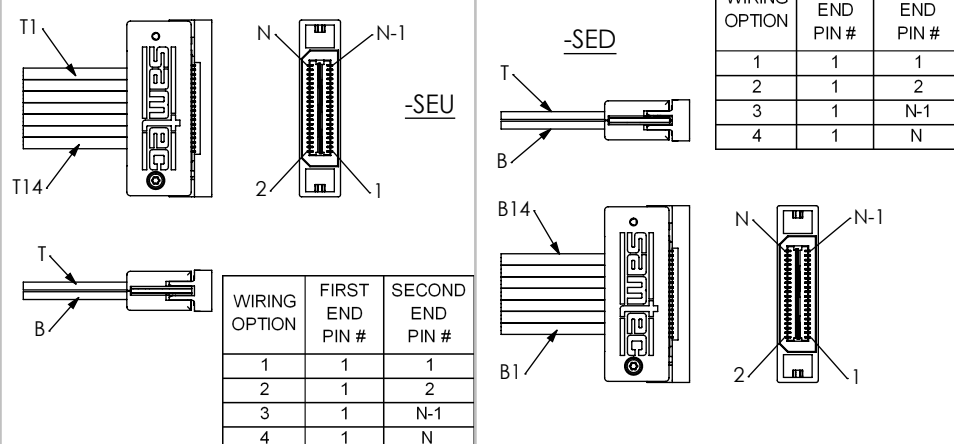
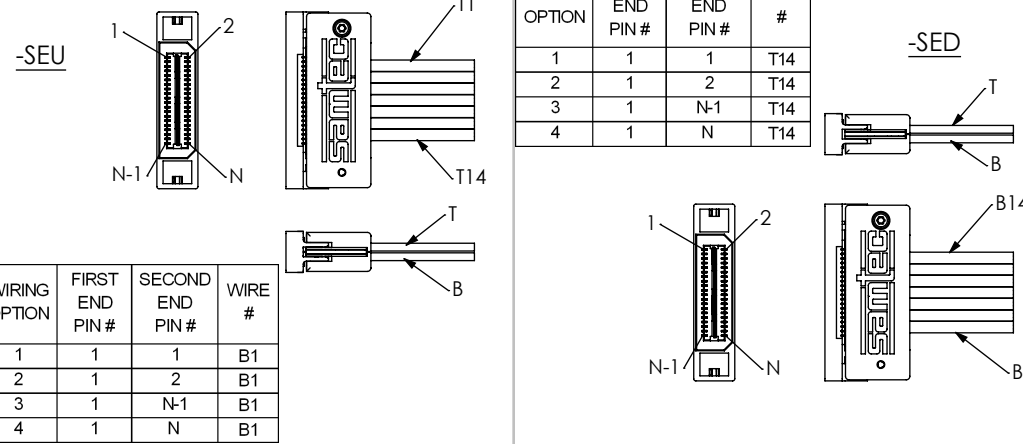
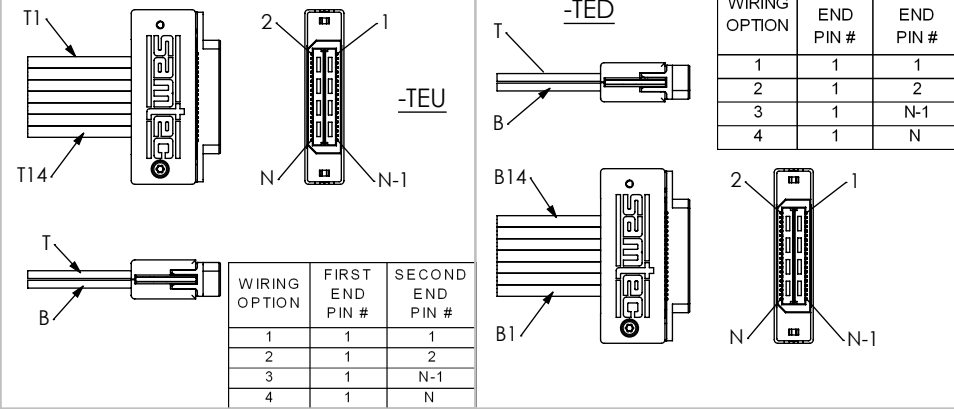
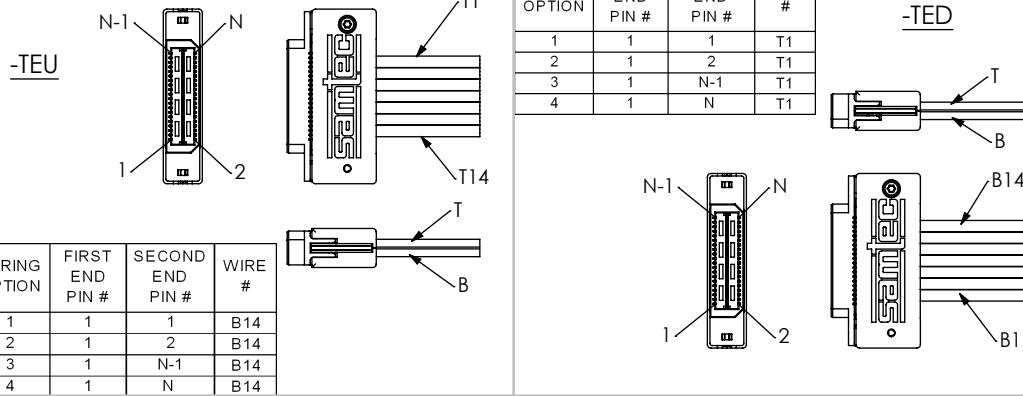


FIG. 2

EDGE MOUNT (NO CAPTIVE PANEL SCREWS)
(EQDP-014-XX.XX-TEU-STR-X SHOWN)
(SAME AS FIG. 1, UNLESS OTHERWISE STATED)

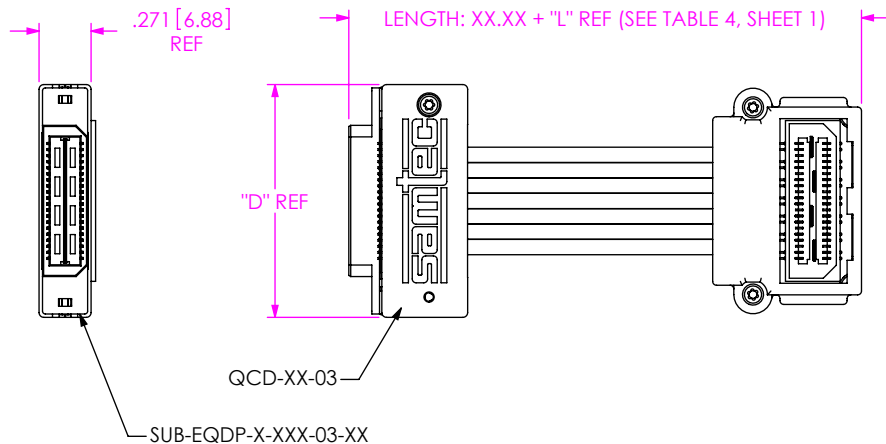


TABLE 5			
No. OF POSITIONS	"D"	QCD-XXX-03	SUB-EQDP-X-XXX-XX-XX
-014	1.213[30.80]	QCD-01-03	SUB-EQDP-X-014-03-XX
-028	2.000[50.80]	QCD-02-03	SUB-EQDP-X-028-03-XX
-042	2.788[70.80]	QCD-03-03	SUB-EQDP-X-042-03-XX
-056	3.575[90.80]	QCD-04-03	SUB-EQDP-X-056-03-XX

PROPRIETARY NOTE
THIS DOCUMENT CONTAINS INFORMATION CONFIDENTIAL AND PROPRIETARY TO SAMTEC, INC. AND SHALL NOT BE REPRODUCED OR TRANSFERRED TO OTHER DOCUMENTS OR DISCLOSED TO OTHERS OR USED FOR ANY PURPOSE OTHER THAN THAT WHICH IT WAS ORIGINATED WITHOUT THE EXPRESSED WRITTEN CONSENT OF SAMTEC, INC.

DO NOT SCALE DRAWING

SHEET SCALE: 1:1



520 PARK EAST BLVD, NEW ALBANY, IN 47150
PHONE: 812-944-6733 FAX: 812-948-5047
e-Mail: info@SAMTEC.com code: 55322

DESCRIPTION:
0.8mm HIGH-SPEED TWIN-AX CABLE ASSEMBLY

DWG. NO.
EQDP-XXX-XX.XX-XXX-XXX-X-X

BY: BRATCHER 11/13/03 SHEET 4 OF 7

FIG. 3

EDGE MOUNT (WITH CAPTIVE PANEL SCREWS)
(EQDP-014-XX.XX-SEU-XXX-1-F SHOWN)
(SAME AS FIG. 2, UNLESS OTHERWISE STATED)

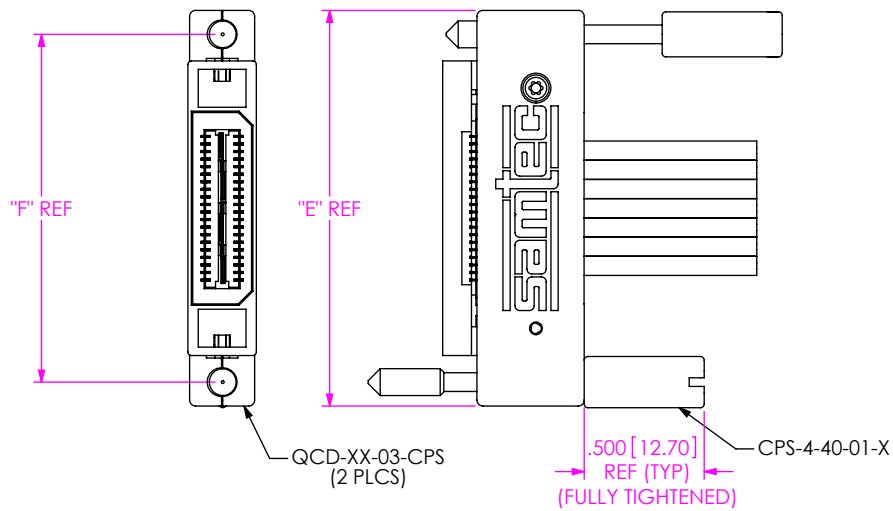


TABLE 6

No. OF POSITIONS	"E"	"F"	QCD-XX-03-CPS
-014	1.649[41.87]	1.449[36.80]	QCD-01-03-CPS
-028	2.437[61.90]	2.237[56.80]	QCD-02-03-CPS
-042	3.224[81.87]	3.024[76.80]	QCD-03-03-CPS
-056	4.012[101.90]	3.812[96.80]	QCD-04-03-CPS

FIG. 4

DOUBLE VERTICAL (WITH SCREW DOWN OPTION)
(EQDP-014-XX.XX-TTR-XXX-1-F SHOWN)
(SAME AS FIG. 1, UNLESS OTHERWISE STATED)

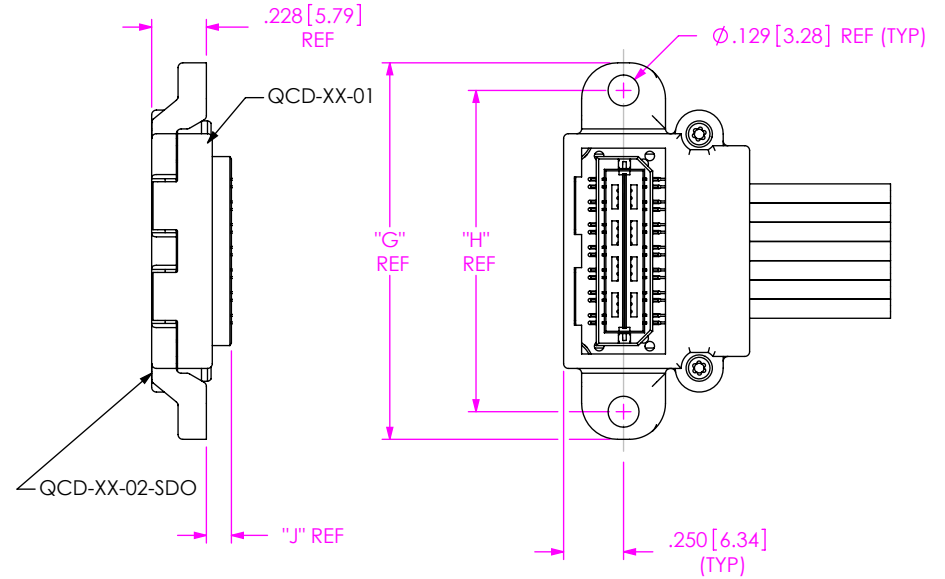


TABLE 7

No. OF POSITIONS	"G"	"H"	QCD-XX-02-SDO
-014	1.569[39.85]	1.339[34.00]	QCD-01-02-SDO
-028	2.356[59.84]	2.126[54.00]	QCD-02-02-SDO
-042	3.144[79.86]	2.913[74.00]	QCD-03-02-SDO
-056	3.931[99.85]	3.701[94.00]	QCD-04-02-SDO

TABLE 8

END	"J"
-TXX	.104[2.65]
-SXX	.068[1.73]

FIG. 5

(EQDP-014-XX.XX-TEU-STR-N SHOWN)
(SAME AS FIG. 1, UNLESS OTHERWISE STATED)

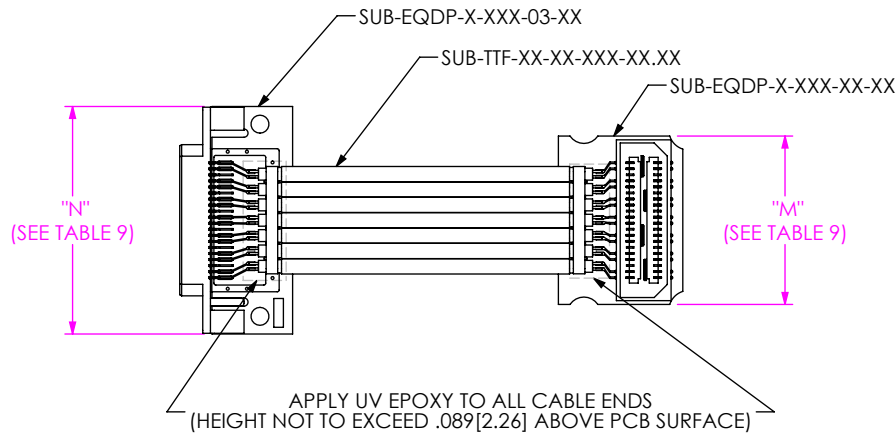


TABLE 9

No. OF POSITIONS	"M"	"N"
-014	.877[22.28]	1.185[30.10]
-028	1.665[42.28]	1.973[50.10]
-042	2.452[62.28]	2.760[70.10]
-056	3.240[82.28]	3.548[90.10]

PROPRIETARY NOTE

THIS DOCUMENT CONTAINS INFORMATION CONFIDENTIAL AND PROPRIETARY TO SAMTEC, INC. AND SHALL NOT BE REPRODUCED OR TRANSFERRED TO OTHER DOCUMENTS OR DISCLOSED TO OTHERS OR USED FOR ANY PURPOSE OTHER THAN THAT WHICH IT WAS OBTAINED WITHOUT THE EXPRESSED WRITTEN CONSENT OF SAMTEC, INC.

DO NOT SCALE DRAWING

SHEET SCALE: 1.25:1



520 PARK EAST BLVD, NEW ALBANY, IN 47150
PHONE: 812-944-6733 FAX: 812-948-5047
e-Mail: info@SAMTEC.com code: 55322

DESCRIPTION:
0.8mm HIGH-SPEED TWIN-AX CABLE ASSEMBLY

DWG. NO.
EQDP-XXX-XX.XX-XXX-XXX-X-X

BY: BRATCHER 11/13/03 SHEET 5 OF 7

J FIG 6
 (EQDP-014-XX.X-STL-TTR-1-D SHOWN)
 (SAME AS FIG 1, UNLESS OTHERWISE STATED)

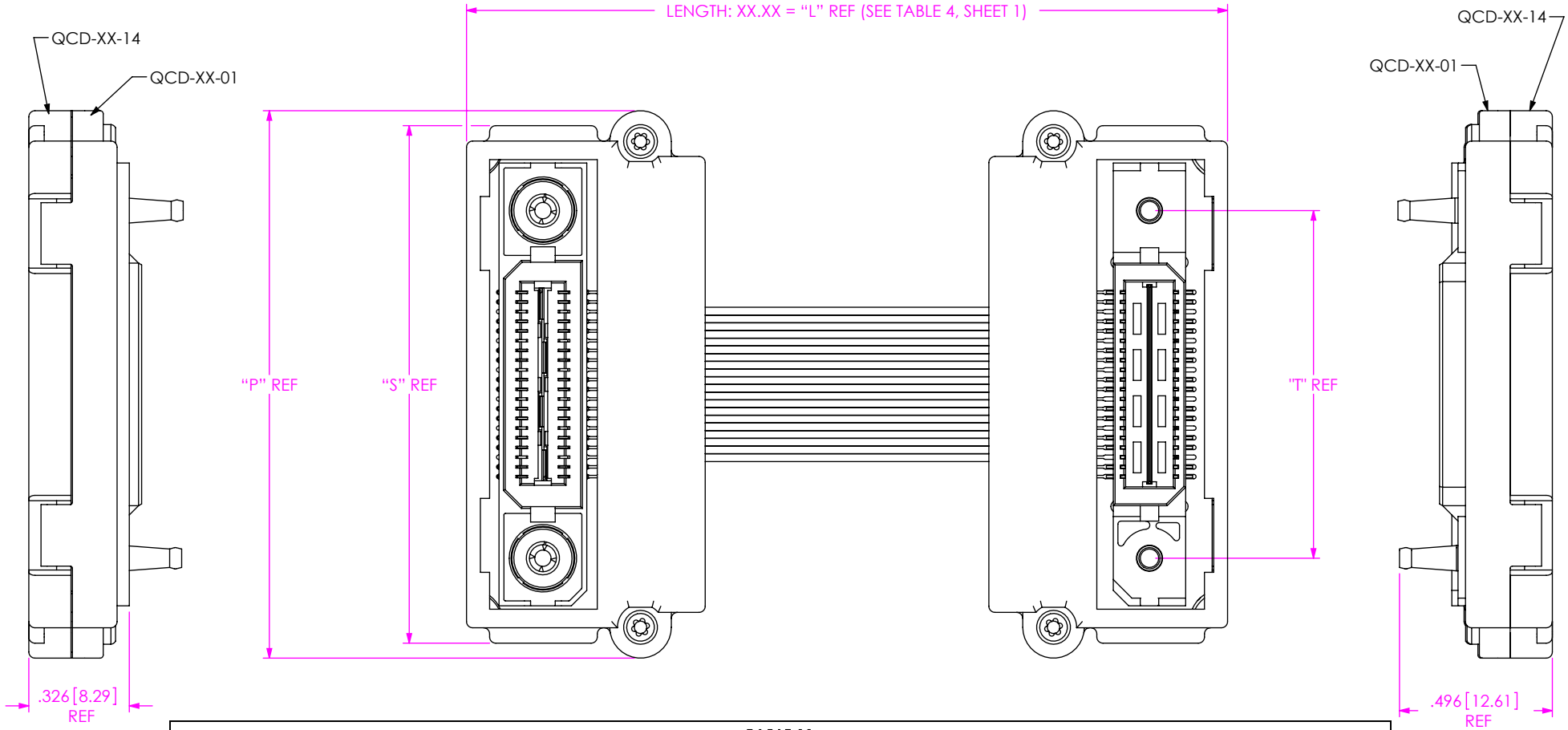


TABLE 11									
No. OF POSITIONS	"P"		"S"		"T"		QCD-XX-01	QCD-XX-14	SUB-EQDP-X-XXX-XX-XX-RT1
-014	1.777	[45.14]	1.680	[42.67]	1.129	[28.68]	QCD-07-01	QCD-01-14	SUB-EQDP-X-020-XX-XX-RT1
-028	2.565	[65.15]	2.468	[62.69]	1.916	[48.67]	QCD-08-01	QCD-02-14	SUB-EQDP-X-040-XX-XX-RT1
-042	3.352	[85.14]	3.255	[82.68]	2.704	[68.68]	QCD-09-01	QCD-03-14	SUB-EQDP-X-060-XX-XX-RT1
-056	4.140	[105.16]	4.043	[102.69]	3.491	[88.67]	QCD-10-01	QCD-04-14	SUB-EQDP-X-080-XX-XX-RT1

PROPRIETARY NOTE
 THIS DOCUMENT CONTAINS INFORMATION CONFIDENTIAL AND PROPRIETARY TO SAMTEC, INC. AND SHALL NOT BE REPRODUCED OR TRANSFERRED TO OTHER DOCUMENTS OR DISCLOSED TO OTHERS OR USED FOR ANY PURPOSE OTHER THAN THAT WHICH IT WAS OBTAINED WITHOUT THE EXPRESSED WRITTEN CONSENT OF SAMTEC, INC.

DO NOT SCALE DRAWING

SHEET SCALE: 2:1



520 PARK EAST BLVD, NEW ALBANY, IN 47150
 PHONE: 812-944-6733 FAX: 812-948-5047
 e-Mail: info@SAMTEC.com code: 55322

DESCRIPTION:
0.8mm HIGH-SPEED TWIN-AX CABLE ASSEMBLY

DWG. NO.
EQDP-XXX-XX.XX-XXX-XXX-X-X

BY: BRATCHER 11/13/03 SHEET 6 OF 7

		TABLE 9																			
FIRST END OPTION	FIRST END SUB-EQDP-X-XXX-XX-01	WIRING OPTION	FIRST END	SECOND END PIN #	WIRE #	SECOND END OPTION (SUB-EQDP-X-XXX-XX-XX)												-TEU	-TED	-SEU	-SED
						-TTR	-TTL	-TBR	-TBL	-STR	-STL	-SBR	-SBL	-TXX-02-01	-TXX-02-02	-TXX-02-03	-TXX-02-04				
-TTR	-T-XXX-01-01	1	1	1	B14	-T-XXX-02-02	N/A	N/A	-T-XXX-01-02	N/A	-S-XXX-01-01	-S-XXX-02-01	N/A	N/A	N/A	-T-XXX-03-02	-S-XXX-03-01	N/A			
		2	1	2	B14	-T-XXX-02-01	N/A	N/A	-T-XXX-01-01	N/A	-S-XXX-01-02	-S-XXX-02-02	N/A	N/A	N/A	-T-XXX-03-01	-S-XXX-03-02	N/A			
		3	1	N-1	B14	N/A	-T-XXX-01-01	-T-XXX-02-01	N/A	-S-XXX-02-02	N/A	N/A	-S-XXX-01-02	-T-XXX-03-01	N/A	N/A	-S-XXX-03-02	N/A			
		4	1	N	B14	N/A	-T-XXX-01-02	-T-XXX-02-02	N/A	-S-XXX-02-01	N/A	N/A	-S-XXX-01-01	-T-XXX-03-02	N/A	N/A	-S-XXX-03-01	-S-XXX-03-02	N/A		
-TTL	-T-XXX-02-01	1	1	1	T1	N/A	-T-XXX-01-02	-T-XXX-02-02	N/A	-S-XXX-02-01	N/A	N/A	-S-XXX-01-01	-T-XXX-03-02	N/A	N/A	-S-XXX-03-01	-S-XXX-03-02	N/A		
		2	1	2	T1	N/A	-T-XXX-01-01	-T-XXX-02-01	N/A	-S-XXX-02-02	N/A	N/A	-S-XXX-01-02	-T-XXX-03-01	N/A	N/A	-S-XXX-03-02	-S-XXX-03-01	N/A		
		3	1	N-1	T1	-T-XXX-02-01	N/A	N/A	-T-XXX-01-01	N/A	-S-XXX-01-02	-S-XXX-02-02	N/A	N/A	-T-XXX-03-01	-S-XXX-03-02	N/A	N/A			
		4	1	N	T1	-T-XXX-02-02	N/A	N/A	-T-XXX-01-02	N/A	-S-XXX-01-01	-S-XXX-02-01	N/A	N/A	-T-XXX-03-02	-S-XXX-03-01	-S-XXX-03-02	N/A			
-TBR	-T-XXX-01-01	1	1	1	T1	N/A	-T-XXX-01-02	-T-XXX-02-02	N/A	-S-XXX-02-01	N/A	N/A	-S-XXX-01-01	-T-XXX-03-02	N/A	N/A	-S-XXX-03-01	-S-XXX-03-02	N/A		
		2	1	2	T1	N/A	-T-XXX-01-01	-T-XXX-02-01	N/A	-S-XXX-02-02	N/A	N/A	-S-XXX-01-02	-T-XXX-03-01	N/A	N/A	-S-XXX-03-02	-S-XXX-03-01	N/A		
		3	1	N-1	T1	-T-XXX-02-01	N/A	N/A	-T-XXX-01-01	N/A	-S-XXX-01-02	-S-XXX-02-02	N/A	N/A	-T-XXX-03-01	-S-XXX-03-02	N/A	N/A			
		4	1	N	T1	-T-XXX-02-02	N/A	N/A	-T-XXX-01-02	N/A	-S-XXX-01-01	-S-XXX-02-01	N/A	N/A	-T-XXX-03-02	-S-XXX-03-01	-S-XXX-03-02	N/A			
-TBL	-T-XXX-02-01	1	1	1	B14	-T-XXX-02-02	N/A	N/A	-T-XXX-01-02	N/A	-S-XXX-02-01	-S-XXX-02-02	N/A	N/A	-T-XXX-03-01	-S-XXX-03-02	N/A	N/A			
		2	1	2	B14	-T-XXX-02-01	N/A	N/A	-T-XXX-01-01	N/A	-S-XXX-01-02	-S-XXX-02-02	N/A	N/A	-T-XXX-03-01	-S-XXX-03-02	N/A	N/A			
		3	1	N-1	B14	N/A	-T-XXX-01-01	-T-XXX-02-01	N/A	-S-XXX-02-02	N/A	N/A	-S-XXX-01-02	-T-XXX-03-01	N/A	N/A	-S-XXX-03-02	-S-XXX-03-01	N/A		
		4	1	N	B14	N/A	-T-XXX-01-02	-T-XXX-02-02	N/A	-S-XXX-02-01	N/A	N/A	-S-XXX-01-01	-T-XXX-03-02	N/A	N/A	-S-XXX-03-01	-S-XXX-03-02	N/A		
-STR	-S-XXX-01-01	1	1	1	B1	N/A	-T-XXX-01-01	-T-XXX-02-01	N/A	-S-XXX-02-02	N/A	N/A	-S-XXX-01-02	-T-XXX-03-01	N/A	N/A	-S-XXX-03-02	-S-XXX-03-01	N/A		
		2	1	2	B1	N/A	-T-XXX-01-02	-T-XXX-02-02	N/A	-S-XXX-02-01	N/A	N/A	-S-XXX-01-01	-T-XXX-03-02	N/A	N/A	-S-XXX-03-01	-S-XXX-03-02	N/A		
		3	1	N-1	B1	-T-XXX-02-02	N/A	N/A	-T-XXX-01-02	N/A	-S-XXX-01-01	-S-XXX-02-01	N/A	N/A	-T-XXX-03-01	-S-XXX-03-02	N/A	N/A			
		4	1	N	B1	-T-XXX-02-01	N/A	N/A	-T-XXX-01-01	N/A	-S-XXX-01-02	-S-XXX-02-02	N/A	N/A	-T-XXX-03-01	-S-XXX-03-02	N/A	N/A			
-STL	-S-XXX-02-01	1	1	1	T14	-T-XXX-02-01	N/A	N/A	-T-XXX-01-01	N/A	-S-XXX-01-02	-S-XXX-02-02	N/A	N/A	-T-XXX-03-01	-S-XXX-03-02	N/A	N/A			
		2	1	2	T14	-T-XXX-02-02	N/A	N/A	-T-XXX-01-02	N/A	-S-XXX-01-01	-S-XXX-02-01	N/A	N/A	-T-XXX-03-02	-S-XXX-03-01	-S-XXX-03-02	N/A			
		3	1	N-1	T14	N/A	-T-XXX-01-02	-T-XXX-02-02	N/A	-S-XXX-02-01	N/A	N/A	-S-XXX-01-01	-T-XXX-03-02	N/A	N/A	-S-XXX-03-01	-S-XXX-03-02	N/A		
		4	1	N	T14	N/A	-T-XXX-01-01	-T-XXX-02-01	N/A	-S-XXX-02-02	N/A	N/A	-S-XXX-01-02	-T-XXX-03-01	N/A	N/A	-S-XXX-03-02	-S-XXX-03-01	N/A		
-SBR	-S-XXX-01-01	1	1	1	T14	-T-XXX-02-01	N/A	N/A	-T-XXX-01-01	N/A	-S-XXX-01-02	-S-XXX-02-02	N/A	N/A	-T-XXX-03-01	-S-XXX-03-02	N/A	N/A			
		2	1	2	T14	-T-XXX-02-02	N/A	N/A	-T-XXX-01-02	N/A	-S-XXX-01-01	-S-XXX-02-01	N/A	N/A	-T-XXX-03-02	-S-XXX-03-01	-S-XXX-03-02	N/A			
		3	1	N-1	T14	N/A	-T-XXX-01-02	-T-XXX-02-02	N/A	-S-XXX-02-01	N/A	N/A	-S-XXX-01-01	-T-XXX-03-02	N/A	N/A	-S-XXX-03-01	-S-XXX-03-02	N/A		
		4	1	N	T14	N/A	-T-XXX-01-01	-T-XXX-02-01	N/A	-S-XXX-02-02	N/A	N/A	-S-XXX-01-02	-T-XXX-03-01	N/A	N/A	-S-XXX-03-02	-S-XXX-03-01	N/A		
-SBL	-S-XXX-02-01	1	1	1	B1	N/A	-T-XXX-01-01	-T-XXX-02-01	N/A	-S-XXX-02-02	N/A	N/A	-S-XXX-01-02	-T-XXX-03-01	N/A	N/A	-S-XXX-03-02	-S-XXX-03-01	N/A		
		2	1	2	B1	N/A	-T-XXX-01-02	-T-XXX-02-02	N/A	-S-XXX-02-01	N/A	N/A	-S-XXX-01-01	-T-XXX-03-02	N/A	N/A	-S-XXX-03-01	-S-XXX-03-02	N/A		
		3	1	N-1	B1	-T-XXX-02-02	N/A	N/A	-T-XXX-01-02	N/A	-S-XXX-01-01	-S-XXX-02-01	N/A	N/A	-T-XXX-03-01	-S-XXX-03-02	N/A	N/A			
		4	1	N	B1	-T-XXX-02-01	N/A	N/A	-T-XXX-01-01	N/A	-S-XXX-01-02	-S-XXX-02-02	N/A	N/A	-T-XXX-03-01	-S-XXX-03-02	N/A	N/A			
-TEU	-T-XXX-03-01	1	1	1	B14	-T-XXX-02-02	N/A	N/A	-T-XXX-01-02	N/A	-S-XXX-01-01	-S-XXX-02-01	N/A	N/A	-T-XXX-03-02	-S-XXX-03-01	N/A	N/A			
		2	1	2	B14	-T-XXX-02-01	N/A	N/A	-T-XXX-01-01	N/A	-S-XXX-01-02	-S-XXX-02-02	N/A	N/A	-T-XXX-03-01	-S-XXX-03-02	N/A	N/A			
		3	1	N-1	B14	N/A	-T-XXX-01-01	-T-XXX-02-01	N/A	-S-XXX-02-02	N/A	N/A	-S-XXX-01-02	-T-XXX-03-01	N/A	N/A	-S-XXX-03-02	-S-XXX-03-01	N/A		
		4	1	N	B14	N/A	-T-XXX-01-02	-T-XXX-02-02	N/A	-S-XXX-02-01	N/A	N/A	-S-XXX-01-01	-T-XXX-03-02	N/A	N/A	-S-XXX-03-01	-S-XXX-03-02	N/A		
-TED	-T-XXX-03-01	1	1	1	T1	N/A	-T-XXX-01-02	-T-XXX-02-02	N/A	-S-XXX-02-01	N/A	N/A	-S-XXX-01-01	-T-XXX-03-02	N/A	N/A	-S-XXX-03-01	-S-XXX-03-02	N/A		
		2	1	2	T1	N/A	-T-XXX-01-01	-T-XXX-02-01	N/A	-S-XXX-02-02	N/A	N/A	-S-XXX-01-02	-T-XXX-03-01	N/A	N/A	-S-XXX-03-02	-S-XXX-03-01	N/A		
		3	1	N-1	T1	-T-XXX-02-01	N/A	N/A	-T-XXX-01-01	N/A	-S-XXX-01-02	-S-XXX-02-02	N/A	N/A	-T-XXX-03-01	-S-XXX-03-02	N/A	N/A			
		4	1	N	T1	-T-XXX-02-02	N/A	N/A	-T-XXX-01-02	N/A	-S-XXX-01-01	-S-XXX-02-01	N/A	N/A	-T-XXX-03-02	-S-XXX-03-01	-S-XXX-03-02	N/A			
-SEU	-S-XXX-03-01	1	1	1	B1	N/A	-T-XXX-01-01	-T-XXX-02-01	N/A	-S-XXX-02-02	N/A	N/A	-S-XXX-01-02	-T-XXX-03-01	N/A	N/A	-S-XXX-03-02	-S-XXX-03-01	N/A		
		2	1	2	B1	N/A	-T-XXX-01-02	-T-XXX-02-02	N/A	-S-XXX-02-01	N/A	N/A	-S-XXX-01-01	-T-XXX-03-02	N/A	N/A	-S-XXX-03-01	-S-XXX-03-02	N/A		
		3	1	N-1	B1	-T-XXX-02-02	N/A	N/A	-T-XXX-01-02	N/A	-S-XXX-01-01	-S-XXX-02-01	N/A	N/A	-T-XXX-03-01	-S-XXX-03-02	N/A	N/A			
		4	1	N	B1	-T-XXX-02-01	N/A	N/A	-T-XXX-01-01	N/A	-S-XXX-01-02	-S-XXX-02-02	N/A	N/A	-T-XXX-03-01	-S-XXX-03-02	N/A	N/A			
-SED	-S-XXX-03-01	1	1	1	T14	-T-XXX-02-01	N/A	N/A	-T-XXX-01-01	N/A	-S-XXX-01-02	-S-XXX-02-02	N/A	N/A	-T-XXX-03-01	-S-XXX-03-02	N/A	N/A			
		2	1	2	T14	-T-XXX-02-02	N/A	N/A	-T-XXX-01-02	N/A	-S-XXX-01-01	-S-XXX-02-01	N/A	N/A	-T-XXX-03-02	-S-XXX-03-01	-S-XXX-03-02	N/A			
		3	1	N-1	T14	N/A	-T-XXX-01-02	-T-XXX-02-02	N/A	-S-XXX-02-01	N/A	N/A	-S-XXX-01-01	-T-XXX-03-01	N/A	N/A	-S-XXX-03-02	-S-XXX-03-01	N/A		
		4	1	N	T14	N/A	-T-XXX-01-01	-T-XXX-02-01	N/A	-S-XXX-02-02	N/A	N/A	-S-XXX-01-02	-T-XXX-03-01	N/A	N/A	-S-XXX-03-02	-S-XXX-03-01	N/A		



FOR RT1 OPTION SUB-ASSEMBLY ADD -RT1 TO THE END OF THE SUB-ASSEMBLY CALLOUT LISTED IN THE TABLE ABOVE.

PROPRIETARY NOTE

THIS DOCUMENT CONTAINS INFORMATION CONFIDENTIAL AND PROPRIETARY TO SAMTEC, INC. AND SHALL NOT BE REPRODUCED OR TRANSFERRED TO OTHER DOCUMENTS OR DISCLOSED TO OTHERS OR USED FOR ANY PURPOSE OTHER THAN THAT WHICH IT WAS OBTAINED WITHOUT THE EXPRESSED WRITTEN CONSENT OF SAMTEC, INC.

DO NOT SCALE DRAWING

SHEET SCALE: 1.25:1



520 PARK EAST BLVD. NEW ALBANY, IN 47150
 PHONE: 812-944-6733 FAX: 812-948-5047
 e-Mail: info@SAMTEC.com code: 55322

DESCRIPTION:
 0.8mm HIGH-SPEED TWIN-AX CABLE ASSEMBLY
 DWG. NO.
 EQDP-XXX-XX.XX-XXX-XXX-X-X
 BY: BRATCHER 11/13/03 SHEET 7 OF 7