



<b>C</b> Commercial	<b>M</b> Military	<b>A</b> Avionics	<b>S</b> Space
------------------------	----------------------	----------------------	-------------------

**RF Characteristics**



Frequency GHz	VSWR (max)	Isolation dB (min)	Ins. Loss dB (max)
0-1	1.20	75	0.20
1-4	1.30	60	0.30
4-8	1.40	60	0.40
8-12.4	1.50	60	0.50

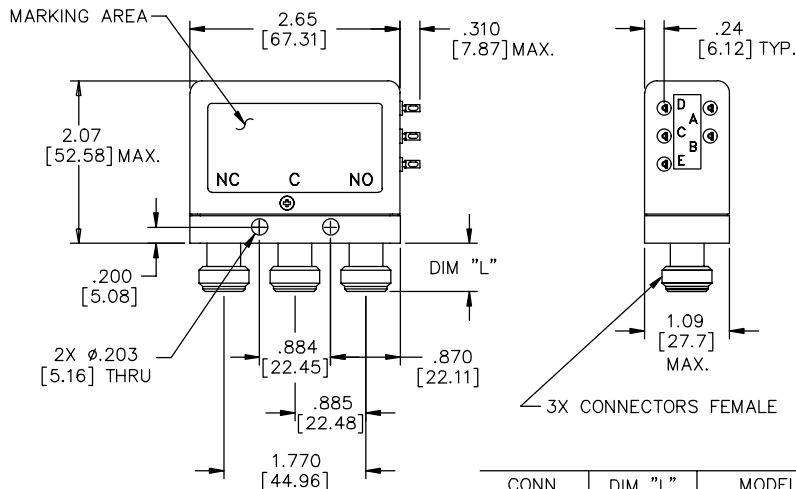
Note: RF Characteristics are for type N & TNC Female connectors, consult Dow-Key for other connector configurations

**810 Series SPDT Failsafe with indicators**

**Specifications**

- Operating Voltage:**  
(across temperature range)  
28 Vdc (20-30 Vdc)
- Coil Current (max @ nom.Vdc & 20°C):**  
28 Vdc 160mA
- Switching Time:**  
20 mS maximum
- Operating Temperature:**  
-55°C to +85°C
- Mechanical Life, Cycles:**  
100,000 minimum
- Vibration, Operating:**  
20g's sine/random
- Mechanical Shock, Non-Operating:**  
50G, 1/2 Sine, 11mS
- Nominal Weight:**  
8.5 oz., (241g.)

**Mechanical**

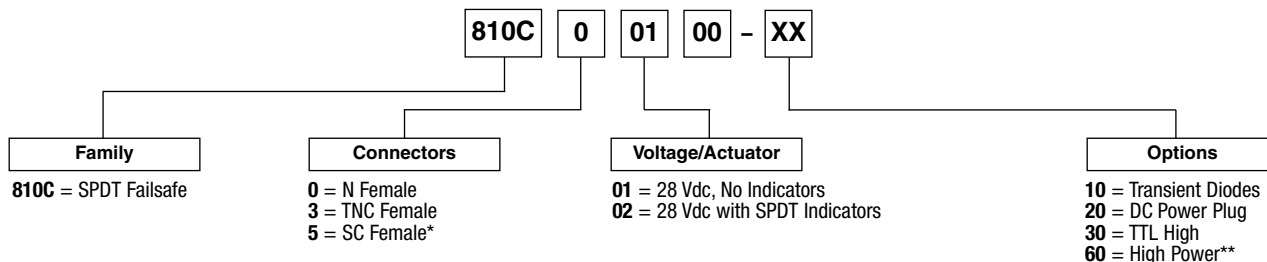


810C00200 Shown

CONN.	DIM "L" (MAX)	MODEL	ELEC. SCHEM.
N CONN.	.60[15.25]	810C00100	3
N CONN.	.60[15.25]	810C00200	3
TNC CONN.	.56[14.23]	810C30100	3
TNC CONN.	.56[14.23]	810C30200	3

**Part Number Selection**

For Electrical Schematic see page # 1-17

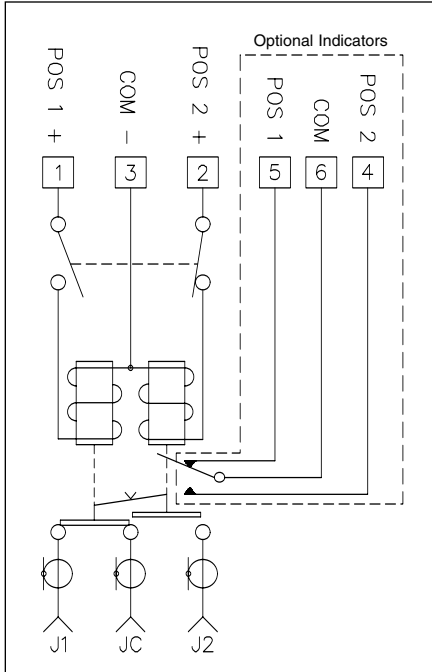


\*1" connector spacing  
Consult Dow-Key for Dimensions

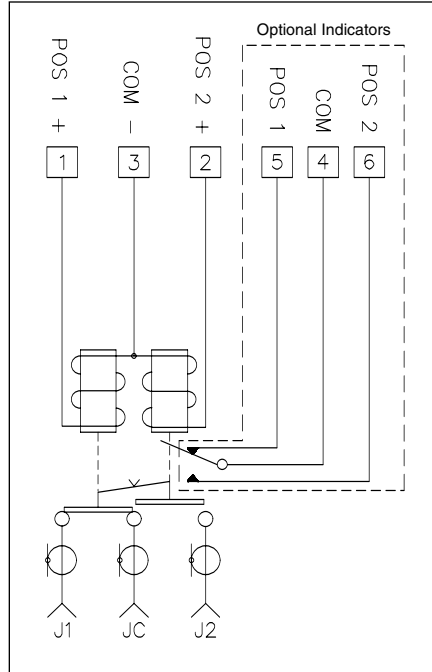
\*\*Consult Power Chart on page #



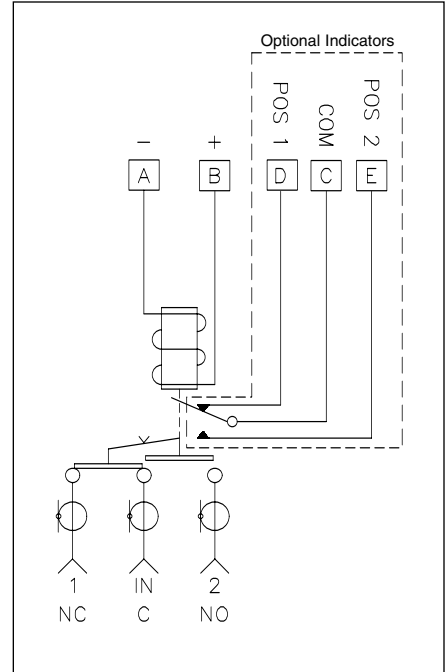
**1 805 Self Cutoff**



**2 805 Pulse Latch**



**3 810 Failsafe**



**4 810 Failsafe TTL**

