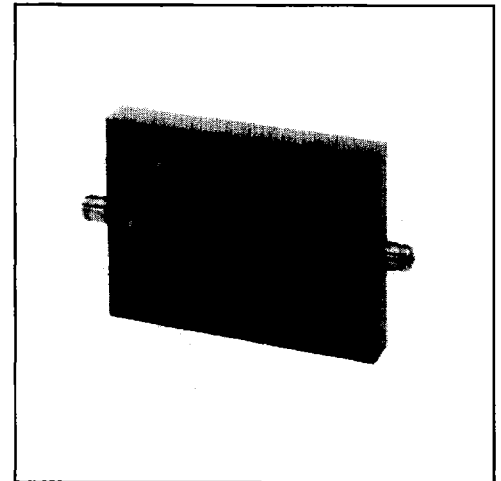


.125-12.4 GHz

TYPE N MAXIMALLY FLAT COAXIAL COUPLERS

- High Power Capability
- Low Loss, Superior Directivity
- ± 0.25 dB Frequency Sensitivity
- Permanent Nameplate Calibrations

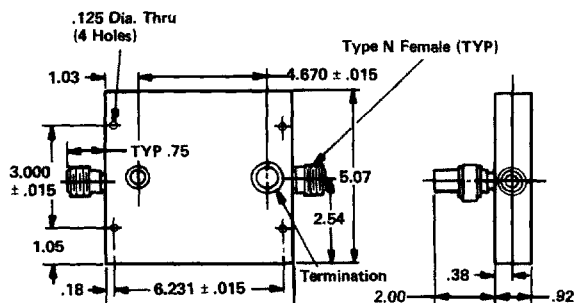


SPECIFICATIONS

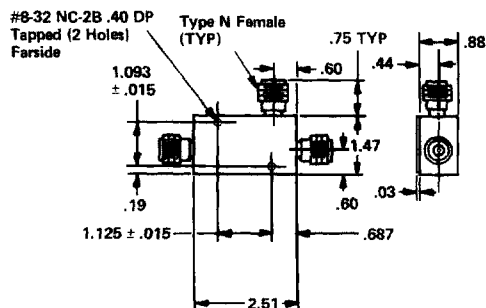
FREQUENCY RANGE (GHz)	MODEL	NOMINAL COUPLING (dB)	DIRECTIVITY dB (Min)	INSERTION LOSS		VSWR		FREQUENCY* SENSITIVITY (dB) Max	MAXIMUM DEVIATION from NOMINAL (dB)	CALIBRATION FREQUENCIES (GHz) (per 5 dB Step)(dB)	ABSOLUTE CALIBRATION ACCURACY	POWER AVERAGE PEAK			WEIGHT		
				EXCLUDING COUPLED POWER	TRUE	PRIMARY LINE Max	SECONDARY LINE Max					INCIDENT	REFLECTED	(Watts)	(kW)	lb	kg
0.125-0.25	3039-20	20	20	0.20	0.20	1.10	1.20	± 0.25	± 0.5	0.125,0.156, 0.187,0.218 0.250	± 0.1	200	-	200	10	2.4	1.1
				0.30	0.70												
0.24-0.5	3040B	10,20,30	20	0.20	(10 dB) 0.20	1.10	1.20	± 0.25	± 0.5	0.240,0.305 0.370,0.435	± 0.1	200	-	200	10	2.0	0.9
				0.70	(10 dB) 0.20												
0.5-1	3041	10,20,30	20	0.20	(10 dB) 0.20	1.10	1.20	± 0.25	± 0.5	0.500,0.625 0.750,0.875 1.0	± 0.1	200	50	200	10	2.0	0.9
				0.70	(10 dB) 0.20												
0.92-2.2	3042B	10,20,30	20	0.20	(10 dB) 0.20	1.10	1.20	± 0.25	± 0.5	0.92,1.24 1.50,1.88 2.2	± 0.1	200	50	200	10	1.25	0.6
				0.75	(10 dB) 0.20												
1.7-4.2	3043B	10,20,30	20	0.20	(10 dB) 0.20	1.15	1.20	± 0.25	± 0.5	1.7,2.325, 2.95,3.575 4.2	± 0.1	200	50	200	10	1.0	0.5
				0.9	(10 dB) 0.35												
3.7-8.3	3044B	10,20,30	17	0.35	(10 dB) 0.35	1.20	1.25	± 0.25	± 0.5	3.7,4.85 6.0,7.15 8.3	± 0.1	200	50	200	10	1.5	0.7
				1.0	(10 dB) 0.40												
7-12.4	3045C	10,20,30	15	0.35	(10 dB) 0.40	1.25	1.30	± 0.25	± 0.5	7.0,8.0 9.0,10.0 11.0,12.4	± 0.1	100	10	100	2	0.8	0.4

*Frequency sensitivity included in coupling value
NOTE: See pages 39-48 **Wireless** Band (820-2200 MHz) Couplers

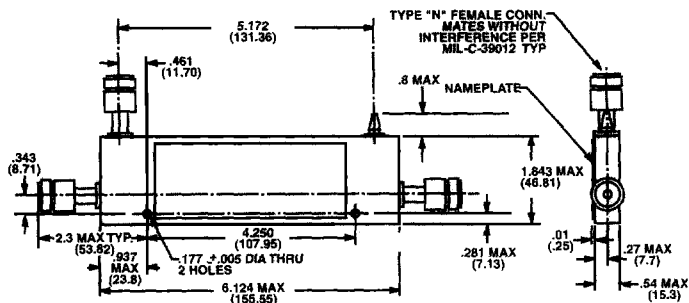
OUTLINE DRAWINGS



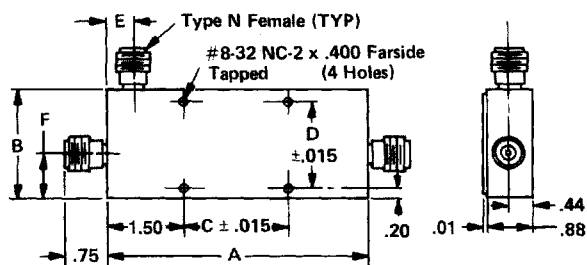
MODEL 3039



MODEL 3045C



MODEL 3040B



MODEL	A	B	C	D	E	F
3041-10, -20	10.08	2.12	3.000	1.688	.50	.86
3041-30	10.08	2.12	3.000	1.688	.50	.68
3042B-10, -20	6.12	2.12	3.000	1.688	.50	.86
3042-30	6.12	2.12	3.000	1.688	.50	.68
3043-10, -20	4.09	2.12	1.090	1.688	.50	.86
3043-30	4.09	2.12	1.090	1.688	.50	.68
3044B-10, -20, -30	6.00	2.12	3.000	1.688	.65	.65

All dimensions are Max. unless otherwise specified