

LH Series Three-Phase Large Current Type

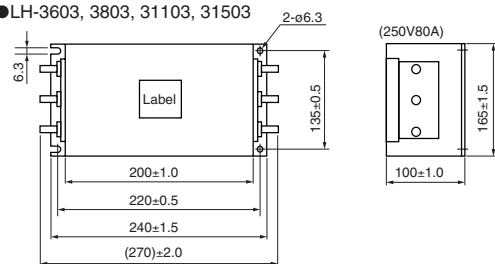
[RoHS Compliant]



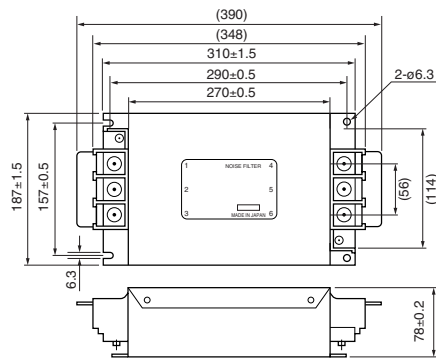
Model	Rated voltage AC/DC (V)	Rated current AC/DC (A)	Withstanding voltage 1 min., line to ground AC (V)	Insulation resistance 500VDC 1 min., line to ground (MΩ) min.	Leakage current 250V/60Hz, (mA) max.	Voltage drop 50Hz, (V) max.	Self-temperature rise (K) max.	Operating temperature range (°C)
LH-3603	250	60	2000	300	1.0	1.5	30	-25 to +55
LH-3803	250	80	2000	300	1.0	1.5	30	-25 to +55
LH-31103	250	110	2000	300	1.0	1.5	30	-25 to +55
LH-31503	250	150	2000	300	1.0	1.5	30	-25 to +55
LH-3803K	250	50 to 80	2000	300	—	1.5	30	-25 to +55
LH-31103K	250	90 to 110	2000	300	—	1.5	30	-25 to +55
LH-31503K	250	120 to 150	2000	300	—	1.5	30	-25 to +55

Shape and Dimensions

●LH-3603, 3803, 31103, 31503



●LH-3803K, LH-31103K, LH-31503K

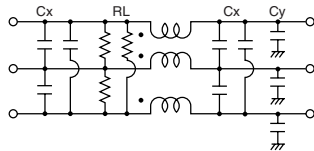


Terminal screw diameter
 LH-3603 : M8
 LH-3803 : M8
 LH-31103 : M10
 LH-31503 : M12

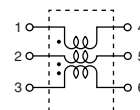
[mm]

Circuit Diagram

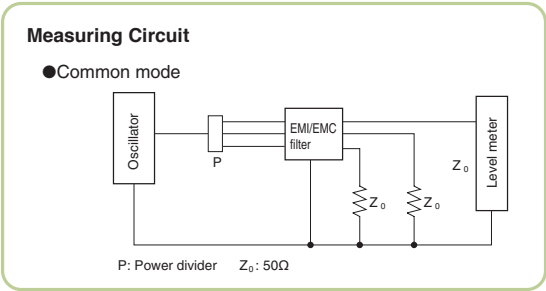
●LF-3 Series



●LF-3K Series



- All specifications in this catalog and production status of products are subject to change without notice. Prior to the purchase, please contact NEC Tokin for updated product data.
- Please request for a specification sheet for detailed product data prior to the purchase.
- Before using the product in this catalog, please read "Precautions" and other safety precautions listed in the printed version catalog.



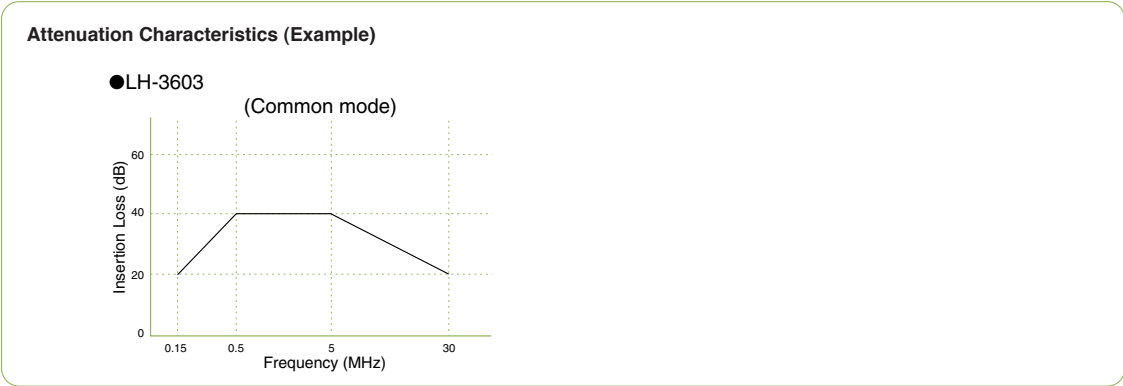
Inductor Appearance

●Advantages of vertically winding flat wires compared with round wires

- 1) Allows miniaturization through winding density

Round wires: 70 to 80% Flat wires: More than 90%

- 2) Improved impedance characteristics of high-frequency range due to lower stray capacitance



- All specifications in this catalog and production status of products are subject to change without notice. Prior to the purchase, please contact NEC Tokin for updated product data.
- Please request for a specification sheet for detailed product data prior to the purchase.
- Before using the product in this catalog, please read "Precautions" and other safety precautions listed in the printed version catalog.