

Fig. 1

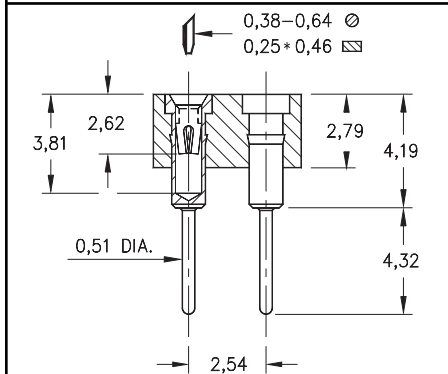


Fig. 2

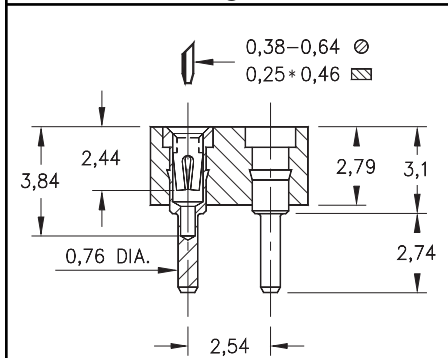


Fig. 3

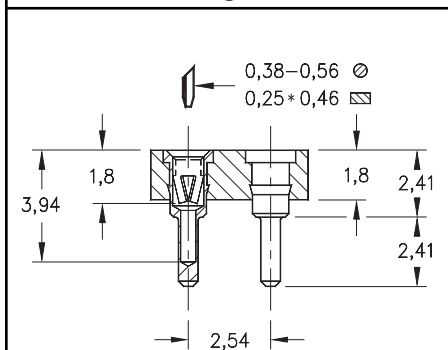
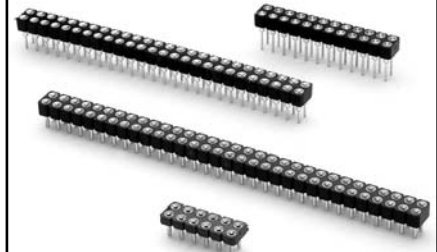


Fig. 4

- Series 41X double row strip sockets are on 2,54 grid.
- Various solder tails available: standard length, long for multi-layer boards, very low and ultra low profile. Using Mill-Max #1001, 0134, 0501 or 1534 pins (See pages 132, 133, 136) for details.
- Hi-Rel, 4-finger BeCu #12 & #30 contacts are rated at 3 amps. See page 218 for details.
- Insulators are high temp. thermoplastic.



Ordering Information

| | | |
|---------------|-------------------------|-----------------------------|
| Fig. 1 | Series 410...001 | Standard Solder Tail |
| | 410-XX-2__-41-001000 | Specify # of pins → 02-64 |
| Fig. 2 | Series 411...001 | Long Solder Tail |
| | 411-13-2__-41-001000 | Specify # of pins → 02-64 |
| Fig. 3 | Series 415...001 | Very Low Profile |
| | 415-XX-2__-41-001000 | Specify # of pins → 02-64 |
| Fig. 4 | Series 415...003 | Ultra Low Profile |
| | 415-XX-2__-41-003000 | Specify # of pins → 02-72 |

For Electrical, Mechanical & Environmental Data, See pg. 4

XX=Plating Code See Below

For RoHS compliance select ◇ plating code.

| | | | |
|--------------------------|-----------|--------------|-----------|
| SPECIFY PLATING CODE XX= | 13◇ | 93 | 43◇ |
| Sleeve (Pin) | 0,25µm Au | 5,08µm Sn/Pb | 5,08µm Sn |
| Contact (Clip) | 0,76µm Au | 0,76µm Au | 0,76µm Au |