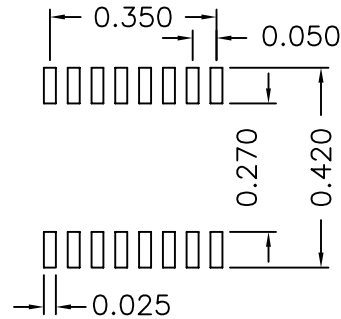
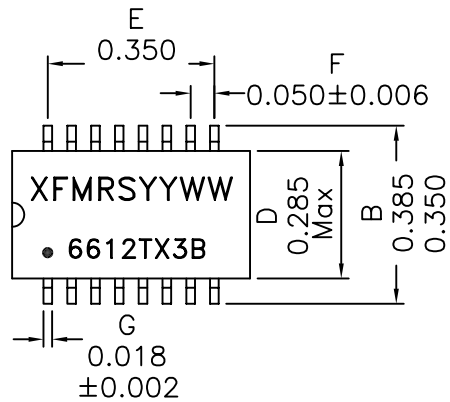
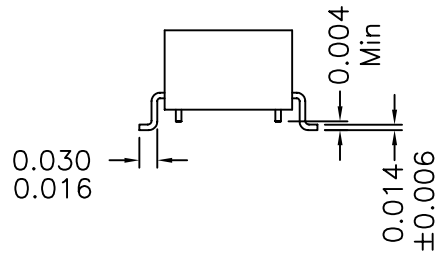
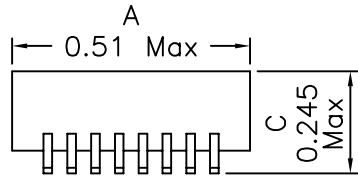


1. Dimensions:

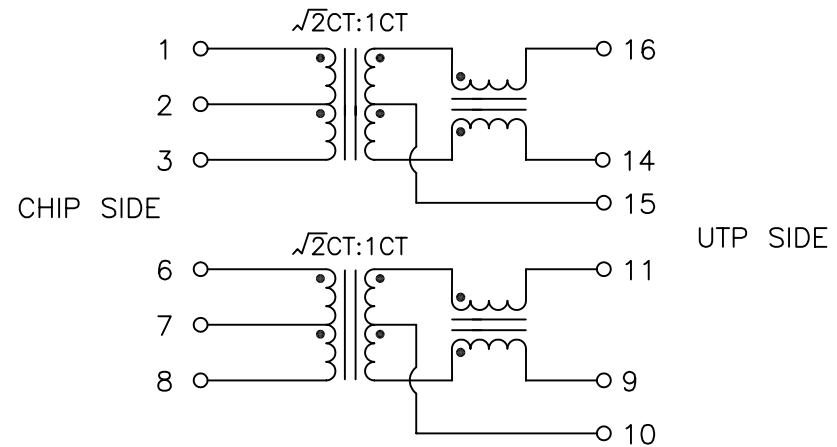


SUGGESTED FOOTPRINT

Notes:

- Solderability: Leads shall meet MIL-STD-202G, Method 208H for solderability.
- Flammability: UL94V-0
- ASTM oxygen index: > 28%
- Insulation System: Class F 155°C. UL file E151556
- Operating Temperature Range: All listed parameters are to be within tolerance from -40°C to +85°C
- Storage Temperature Range: -55°C to +125°C
- Aqueous wash compatible
- SMD Lead Coplanarity: $\pm 0.004^*(0.102\text{mm})$
- Electrical and mechanical specifications 100% tested
- RoHS Compliant Component

2. Schematic:



3. Electrical Specifications: @25°C

Turns Ratio: TX 1.41CT:1CT ($\pm 2\%$) RX 1.41CT:1CT ($\pm 2\%$)

Isolation Voltage: 1500 Vrms (Input to Output)

UTP Side OCL: 350uH Min @100KHz, 100mV 8mADC

UTP Side Q: 8 Min @100KHz, 100mV

Insertion Loss (0.3–100MHz): 1.0dB Maximum

Return Loss (dB Typ): 30MHz 60MHz 80MHz

-16 -12 -10

Crosstalk (dB Min): 32MHz 62MHz 100MHz

-40 -35 -35

XFMR S Inc.		Title:	
www.XFMR S.com		10/100BASE-TX MAGNETICS	
UNLESS OTHERWISE SPECIFIED		P/N: XF6612TX3B	REV. A
TOLERANCES:		DWN.	Mei Chen Aug-30-10
.xxx ± 0.010 Inch		CHK.	YK Liao Aug-30-10
Dimensions in Inch/mm		APP.	BW Aug-30-10
SCALE 2:1 SHT 1 OF 1			

DOC. REV: A/5

PROPRIETARY

Document is the property of XFMR S Group & is not allowed to be duplicated without authorization.