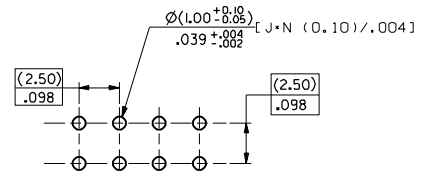
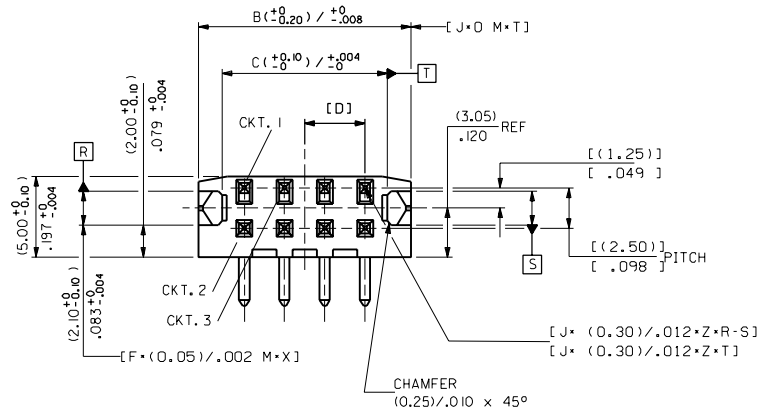
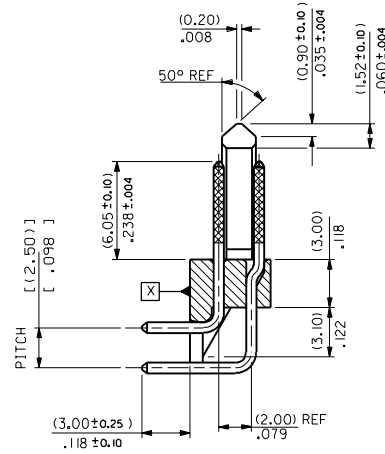
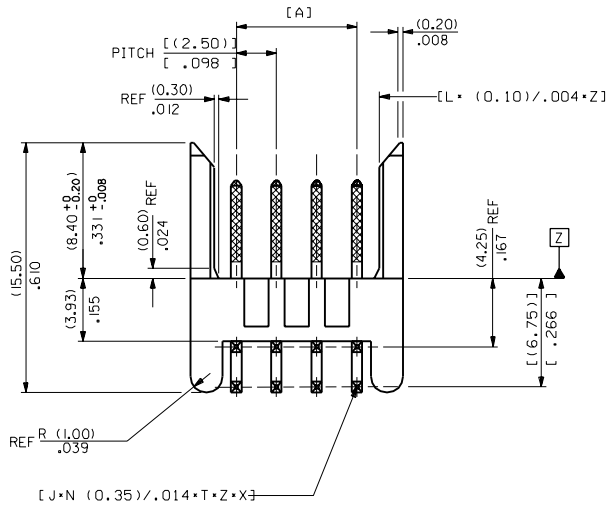


PART NO.	CKT SIZE	DIM. "A"	DIM. "B"	DIM. "C"	DIM. "D"
90787-0008	8	(7.50)/.295	(13.40)/.527	(10.25)/.404	(3.75)/.148
90787-0012	12	(12.50)/.492	(18.40)/.724	(15.25)/.600	(6.25)/.246

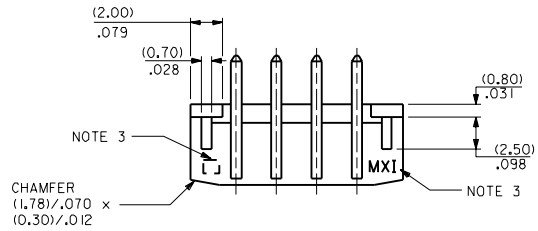
PART NO. SEE CHART  
DWG NO. SDA-90787



RECOMMENDED P.C. BOARD HOLE PATTERN  
PCB THICKNESS (1.60 ± 0.20) / .063 ± 0.008



- NOTES:
- 1) WAFER: 15% GLASS-FILLED POLYESTER, UL94 V-0 COLOUR BLACK . PINS: 0.635 REF SO. BRASS PINS.
  - 2) PLATING: (0.76-1.02um) / .00003-.00004" GOLD IN CONTACT AREA AND (3.0um) / .00012" MIN TIN/LEAD COMPOSITION 90/10 IN SOLDER AREA, OVER (1.3-1.78um) / .00005-.00007" NICKEL OVERALL .
  - 3) MXI AND CAVITY I.D. IN THE LOCATIONS SHOWN .
  - 4) MATES WITH SERIES 90786 .
  - 5) PRODUCT TO BE LOOSE PACKAGED .
  - 6) PRODUCT CONFORMS TO PRODUCT SPECIFICATION PS-99020-0031 .



FOR PREVIOUS DRAWING ISSUES SEE MRI.

MODIFIED DIMENSION	CONFORMS TO	DATE	BY
AB	ECON ENFOR	4 JANUARY 1993	SM
LT	REVISIONS		

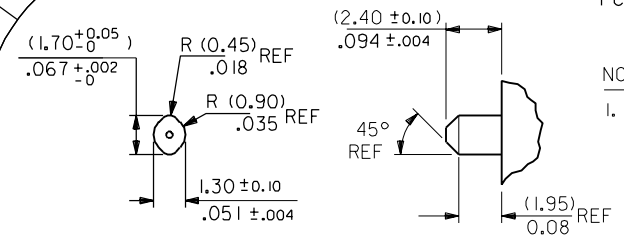
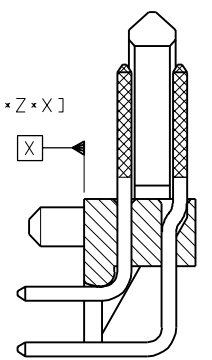
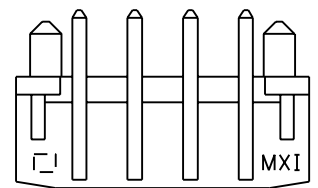
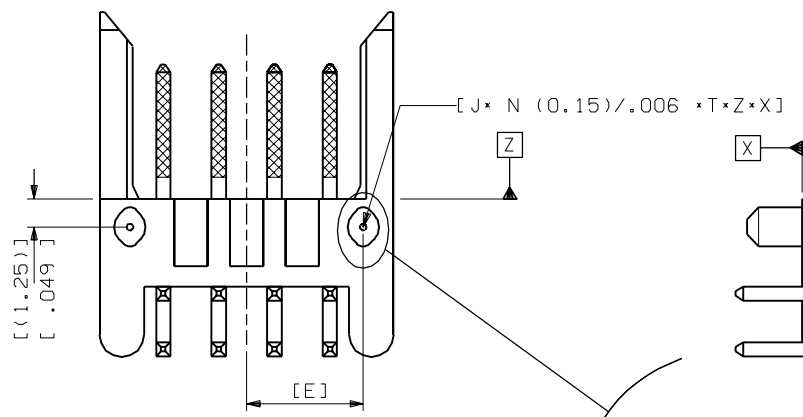
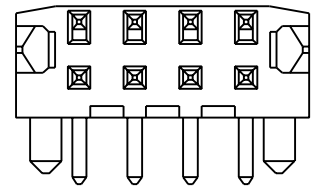
DIMENSIONS SHOWN (METRIC) INCH		DRWG BY	SM
UNLESS OTHERWISE SPECIFIED TOLERANCES ARE AS FOLLOWS		DWTD BY	
3 PLACE ± .004	INCH (METRIC)	APPRD BY	
2 PLACE ± .010	INCH (METRIC)	SCALE	5:1
1 PLACE ± .050	INCH (METRIC)		
DESIGN DIMENSION (DIM) (MM) (INCH)		TITLE	
(PRIMARY) (SECONDARY)		(2.50)/.098 PITCH, DUAL ROW RIGHT-ANGLED, P.C.B. CONNECTOR	
EQUIVALENT DIMENSION (DIM) (MM) (INCH)		MATERIAL	
(PRIMARY) (SECONDARY)		MOLEX EUROPE	
		SHEET NO. DATE	
		10F2 92/10/14	
PART NO. SEE CHART		DWG NO. SDA-90787	
SIZE		C	

2	AB
1	AB
SH	REV.

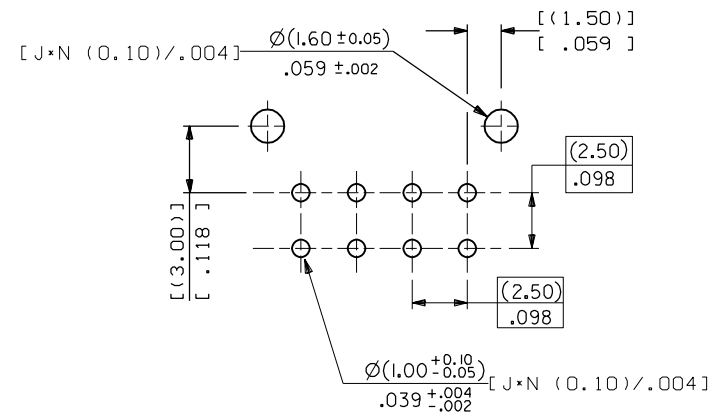
10 9 8 7 6 5 4 3 2 1

PART NO. SEE CHART  
 DWG. NO. SDA-90787

PART NO.	CKT SIZE	DIM. "E"
90787-2008	8	(5.25)/.207
90787-2012	12	(7.75)/.305



PEG DETAIL



RECOMMENDED P.C. BOARD  
 HOLE PATTERN  
 PCB THICKNESS (1.60±0.20)/.063 ±.008

NOTES:  
 1. FOR ALL UNSTATED INFORMATION SEE DRAWING SHEET 1.

FOR PREVIOUS DRAWING ISSUES SEE MRI.

A8 SEE SHEET 1.

LTR	REVISIONS	DIMENSIONS SHOWN (METRIC) INCH	
		INCH	(METRIC)
		3 PLACE # .	
		2 PLACE # .	
		1 PLACE # .	
		DRAFT WHERE APPLICABLE MUST REMAIN WITHIN DIMENSIONS	
		DESIGN DIMENSION (PRIMARY)	<input checked="" type="checkbox"/> (MM) <input type="checkbox"/> IN.
		EQUIVALENT DIMENSION (SECONDARY)	<input type="checkbox"/> (MM) <input checked="" type="checkbox"/> IN.

DRWG BY SM  
 CHK'D BY  
 APP'D BY  
 SCALE 5:1

REVISE ONLY ON CAD SYSTEM		SH.	REV.
CAD/CAM FILENAME S90787X2 DGN	THIS DRAWING CONTAINS INFORMATION THAT IS PROPRIETARY TO MOLEX INC. & SHOULD NOT BE USED WITHOUT WRITTEN PERMISSION		
TITLE (2.50)/.098 PITCH, DUAL ROW RIGHT-ANGLED, P.C.B. CONN WITH RETENTION PEGS			
MOLEX EUROPE		SHEET NO. 2 OF	DATE 93/ 2/25
PART NO. SEE CHART	DWG. NO. SDA-90787	SIZE B	

10 9 8 7 6 5 4 3 2 1