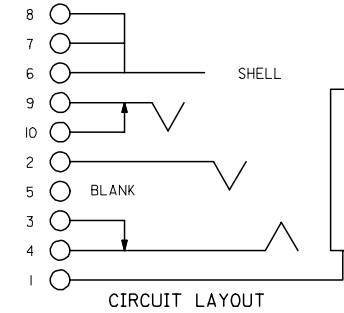
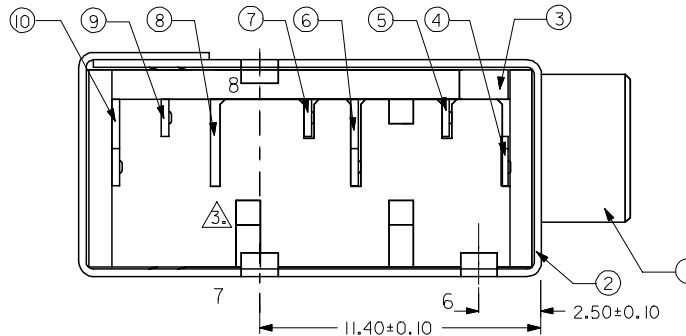
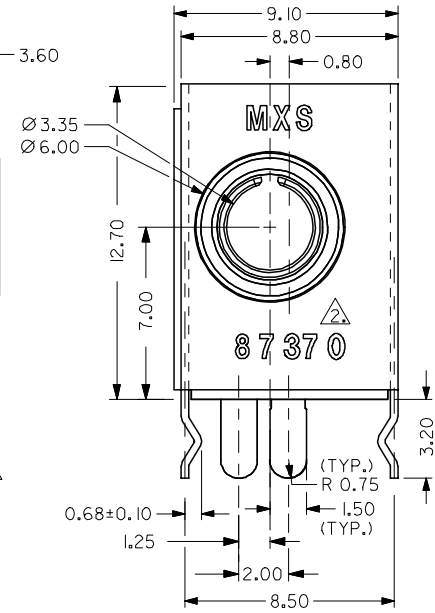
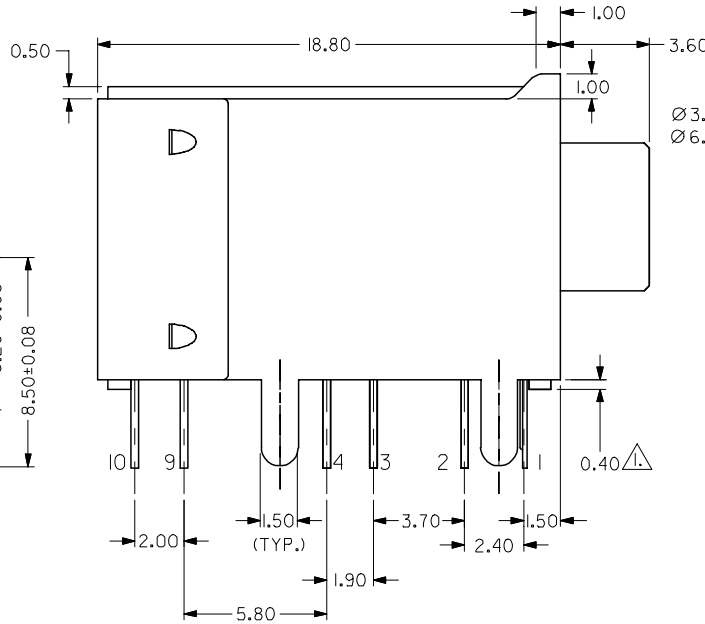
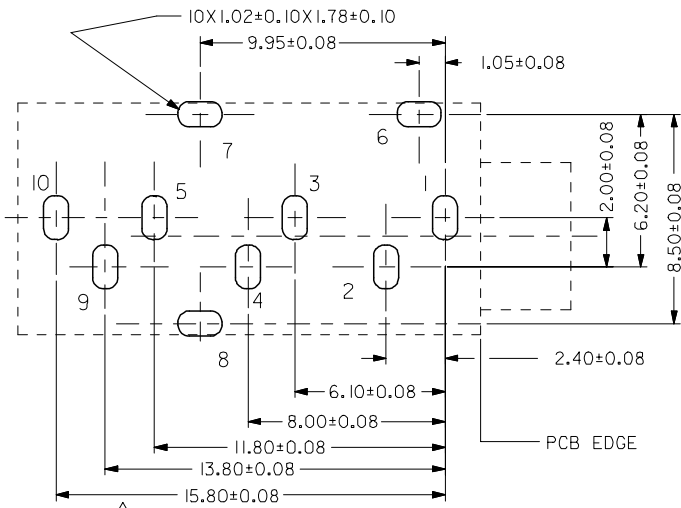


PART NUMBER	OPTION	SHIELD TERMINAL
87370-2732	METAL SHIELD	KINKED



NOTES:

- 1. CLEARANCE BETWEEN BOTTOM OF HOUSING AND SHIELD
- 2. LOGO TO BE 1.0 MM HIGH AND 0.8 MM WIDE APPROX. LOCATED AS SHOWN
- 3. DRAIN HOLE (3X)
- 4. RECOMMENDED PCB THICKNESS TO BE 1.57±0.18 MM
- 5. PRODUCT SPECIFICATION PS 87370 APPLIES
- 6. PACKED IN TUBE WITH OUTER TUBE DIM. OF 13 MM X 18 MM X 550 MM. THE QUANTITY OF PHONO JACKS PER TUBE IS ESTIMATED TO BE 23 PIECES.
- 7. SEE SHEET 2 FOR THE RECOMMENDED MATING PLUG.
- 8. PLATING :
 METAL SHIELD 360° (POSTPLATED)
 TIN (100%) MATT FINISH 2.54µM(100µIN) MIN
 OVER 0.76µM(30µIN) MIN NICKEL

 TERMINALS (POSTPLATED)
 TIN : 3.05µM(120µIN) ± 1.02µM(40µIN)
 OVER NICKEL : 2.54µM(100µIN) ± 1.02µM(40µIN)

10	TERMINAL	PHOSPHOR BRONZE 0.30 MM THK
9	TERMINAL	PHOSPHOR BRONZE 0.30 MM THK
8	VOID	N.A.
7	TERMINAL	PHOSPHOR BRONZE 0.30 MM THK
6	TERMINAL	PHOSPHOR BRONZE 0.30 MM THK
5	TERMINAL	PHOSPHOR BRONZE 0.30 MM THK
4	TERMINAL	PHOSPHOR BRONZE 0.20 MM THK
3	COVER	NYLON, GLASS FILLED, UL94 V-0, COLOR: BLACK
2	SHIELD	BRASS 0.30 MM THK
1	HOUSING	NYLON, GLASS FILLED, UL94 V-0, COLOR: BLACK
NO.	DESCRIPTION	MATERIAL

OBS	TIN/LEAD P/N	2006/04/06
EC	NO: S2006-0884	2006/04/07
DRWN	M:LONG	2006/04/07
CHKD	S:HFONG	2006/04/07
APPR	K:CLING	2006/04/07
REV	DESCRIPTION	

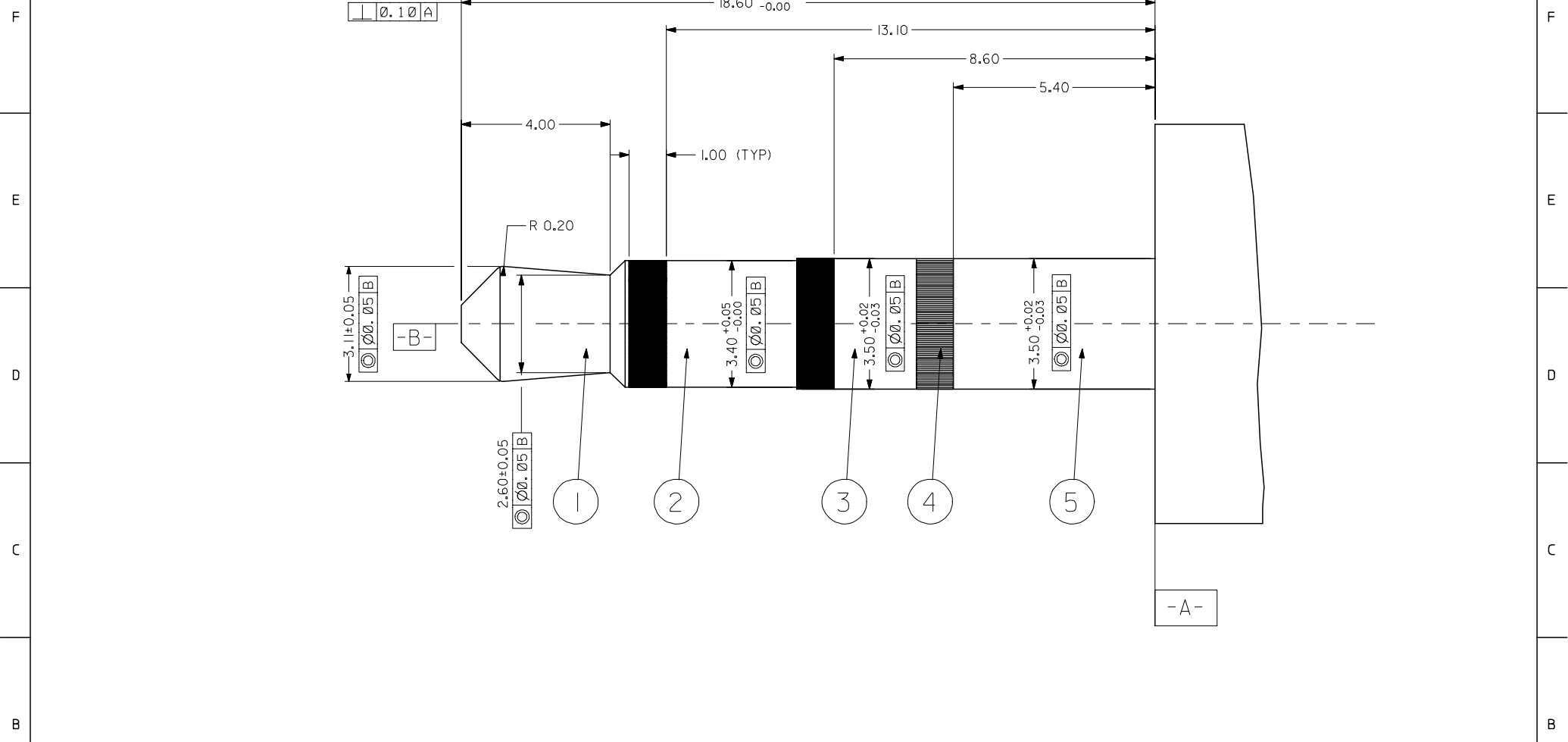
QUALITY SYMBOLS	▽=0
	∇=0

GENERAL TOLERANCES (UNLESS SPECIFIED)	mm	INCH
4 PLACES	± ---	± ---
3 PLACES	± ---	± ---
2 PLACES	± 0.20	± ---
1 PLACE	± ---	± ---
ANGULAR ± 3°		
DRAFT WHERE APPLICABLE MUST REMAIN WITHIN DIMENSIONS		

DIMENSION STYLE		SCALE	DESIGN UNITS	THIRD ANGLE PROJECTION
MM ONLY		NTS	METRIC	
DRAWN BY	DATE	TITLE		
CLEE	1992/03/25	PHONO JACK, 7 CKTS FULLY SHIELDED		
CHECKED BY	DATE			
TAY	1992/06/26			
APPROVED BY	DATE			
RWONG	1992/06/28			
MATERIAL NO.	DOCUMENT NO.	SHEET NO.		
87370-2732	SD-87370-2702	1 OF 2		

MOLEX INCORPORATED	
THIS DRAWING CONTAINS INFORMATION THAT IS PROPRIETARY TO MOLEX INCORPORATED AND SHOULD NOT BE USED WITHOUT WRITTEN PERMISSION	

10 9 8 7 6 5 4 3 2 1



NOTES:

ITEM	PART NAME	MATERIAL	FINISHES	REMARK
5	THIRD BARREL	BRASS	50 uIN NICKEL	
4	INSULATOR	POLYETHYLENE OR POLYAMIDE RESINS		BLUE OR BLACK
3	SECOND BARREL	BRASS	50 uIN NICKEL	
2	FIRST BARREL	BRASS	50 uIN NICKEL	
1	PIN	BRASS	50 uIN NICKEL	

OBS TIN/LEAD P/N
 EC NO: S2006-0884
 DRWN:MLONG 2006/04/06
 CHKD:SHFONG 2006/04/07
 APPR:KCLING 2006/04/07

QUALITY SYMBOLS
 ▽=0
 ▽=0

GENERAL TOLERANCES (UNLESS SPECIFIED)

	mm	INCH
4 PLACES	± ---	± ---
3 PLACES	± ---	± ---
2 PLACES	± 0.20	± ---
1 PLACE	± ---	± ---

ANGULAR ± 3 °

DRAFT WHERE APPLICABLE MUST REMAIN WITHIN DIMENSIONS

DIMENSION STYLE
 MM ONLY

DRAWN BY CLEE DATE 1992/03/25
 CHECKED BY TAY DATE 1992/06/26
 APPROVED BY RWONG DATE 1992/06/28

MATERIAL NO. 87370-2732

SCALE NTS
 DESIGN UNITS METRIC
 THIRD ANGLE PROJECTION

TITLE
 PHONO JACK, 7 CKTS FULLY SHIELDED

MOLEX INCORPORATED

DOCUMENT NO. SD-87370-2702
 SHEET NO. 2 OF 2

THIS DRAWING CONTAINS INFORMATION THAT IS PROPRIETARY TO MOLEX INCORPORATED AND SHOULD NOT BE USED WITHOUT WRITTEN PERMISSION