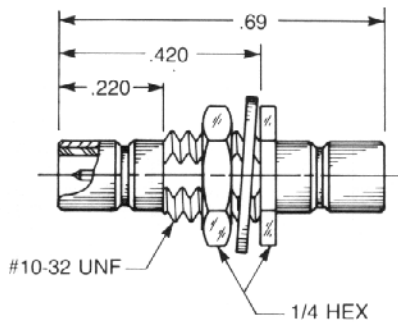


### **Straight Male Jack To Jack Adapter**

- Connects two plugs

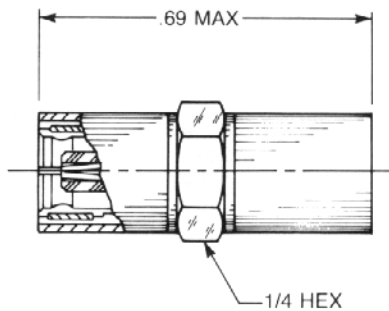
5213-1501-000 (Gold plated)  
5213-7501-000 (Nickel plated)



### **Bulkhead Mounted Straight Male Jack To Jack Adapter**

- Connects two plugs
- For .093" max. panel

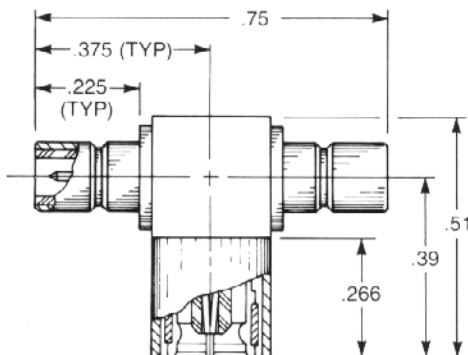
5222-1501-000 (Gold plated)  
5222-7501-000 (Nickel plated)



### **Straight Female Plug To Plug Adapter**

- Connects two jacks

5216-1501-000 (Gold plated)  
5216-7501-000 (Nickel plated)



### **Tee Adapter (Unmatched Power Divider) Jack To Plug To Jack**

- Connects two plugs and one jack

5215-1501-000 (Gold plated)  
5215-7501-000 (Nickel plated)



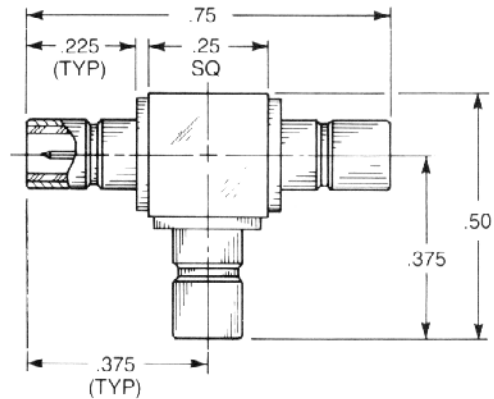
RESISTIVE TERMINATIONS

**Tee Adapter  
(Unmatched Power Divider)  
Jack To Jack To Jack**

- Connects three plugs

5207-1501-000 (Gold plated)

5207-7501-000 (Nickel plated)

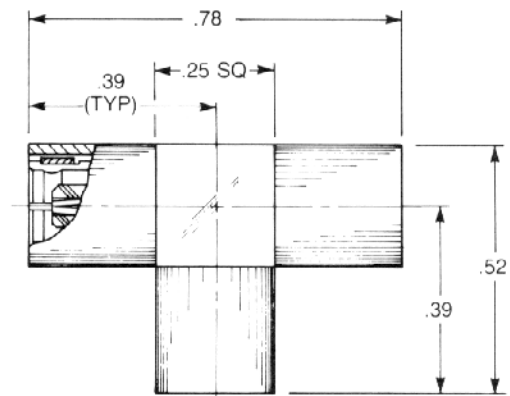


**Tee Adapter  
(Unmatched Power Divider)  
Plug To Plug To Plug**

- Connects three jacks

5208-1501-000 (Gold plated)

5208-7501-000 (Nickel plated)



**Female Plug  
Resistive Termination**

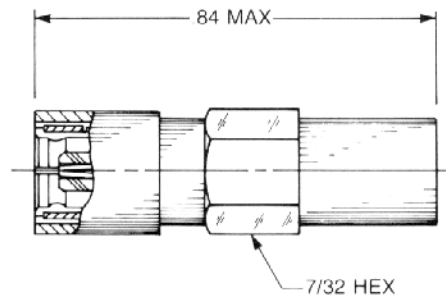
(Dummy load)

Standard resistor:  
51 ohm, 1/2 watt,  
5% tolerance

2036-1511-051 (Gold plated)

2036-7511-051 (Nickel plated)

Available with other resistances.



**Male Jack  
Resistive Termination**

(Dummy load)

Standard resistor:  
51 ohm, 1/2 watt,  
5% tolerance

2037-1511-051 (Gold plated)

2037-7511-051 (Nickel plated)

Available with other resistances

