

SG6510X1 — PC Power Supply Supervisors

Features

- Over-Voltage Protection (OVP) for 3.3V, 5V, 12V
- Under-Voltage Sense (UVS) and Under-Voltage Protection (UVP) for 3.3V, 5V
- Open-Drain Output for PGO and FPO Pins
- 300ms Power-Good Delay
- 75ms Turn-on Delay for 3.3V and 5V
- 2.8ms PSON Control to FPO Turn-off Delay
- 38ms /38ms PSON Control Debounce
- 350µs Width Noise Deglitches
- 2ms UVP Debounce Time
- 1ms UVS Debounce Time
- No Lockup During the Fast AC Power On/Off
- Brownout Protection Function for 3.3V and 5V
- Wide Supply Voltage Range from 4V to 15V


Description

SG6510 is designed to provide the voltage supervisor function, remote on/off PSON function, power-good (PGO) indicator function, and fault protection (FPO) function for switching power systems.

For the supervisor function, it provides the over-voltage protection (OVP) monitoring for 3.3V, 5V, and 12V (12V via VDD pin); under-voltage sense (UVS) monitoring for 3.3V and 5V; and under-voltage protection (UVP) monitoring for 3.3V and 5V. When 3.3V or 5V voltage is decreasing to 2.8V and 4.2V, respectively, the under-voltage sense (UVS) function is enabled to reset the PGO signal from high to low. If 3.3V or 5V voltage is further decreasing to 2.5V and 3.6V, respectively, FPO is set high to turn off the PWM controller IC. To achieve better immunity for lightning surge glitch and to prevent accidental power shut down during dynamic loading condition, the debounce time for UVP and UVS is 2ms/1ms, respectively. The deglitch time for OVP is 75µs for better noise immunity. During an AC sag or brownout situation, UVP functions can still be enabled to protect power supply in case of output short circuit.

The power supply is turned on after 38ms debounce time when the PSON signal is set from high to low. To turn off the power supply, the PSON signal is set from low to high and the debounce time is 38ms. The PGI circuitry provides a sufficient power-down warning signal for PGO. When PGI input is lower than the internal 1.2V reference voltage, after 350µs debounce time, the PGO signal is pulled low.

Ordering Information

Part Number	Operating Temperature Range	Package	 Eco Status	Packing Method
SG6510DY1	-40°C to +125°C	DIP-8	Green	Tube
SG6510DZ1	-40°C to +125°C	DIP-8	RoHS	Tube
SG6510SZ1	-40°C to +125°C	SOP-8	RoHS	Tape & Reel
SG6510SY1	-40°C to +125°C	SOP-8	Green	Tape & Reel

 For Fairchild's definition of "green" please visit: http://www.fairchildsemi.com/company/green/rohs_green.html.

Application Diagram

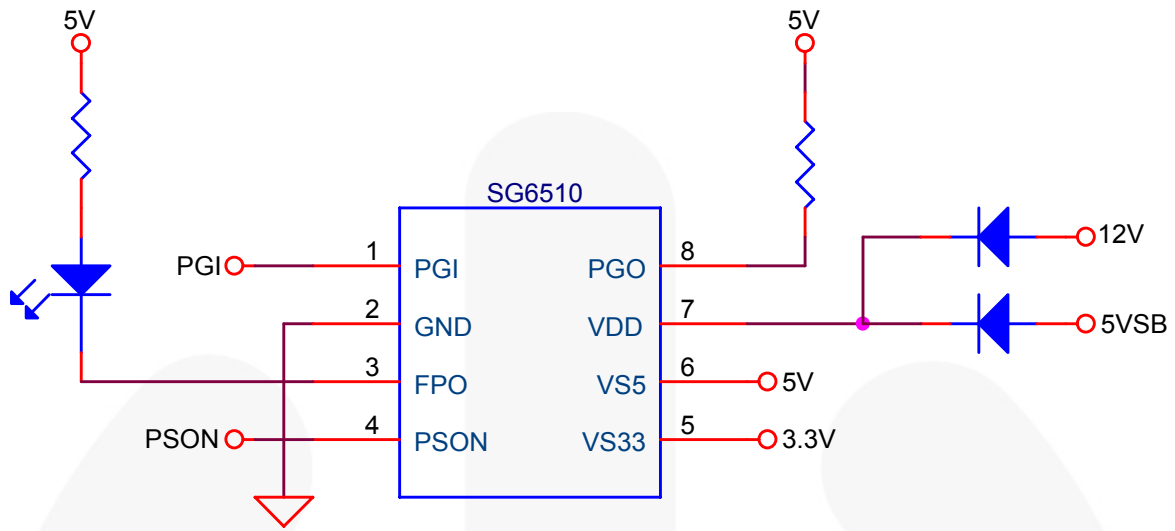


Figure 1. Typical Application

Internal Block Diagram

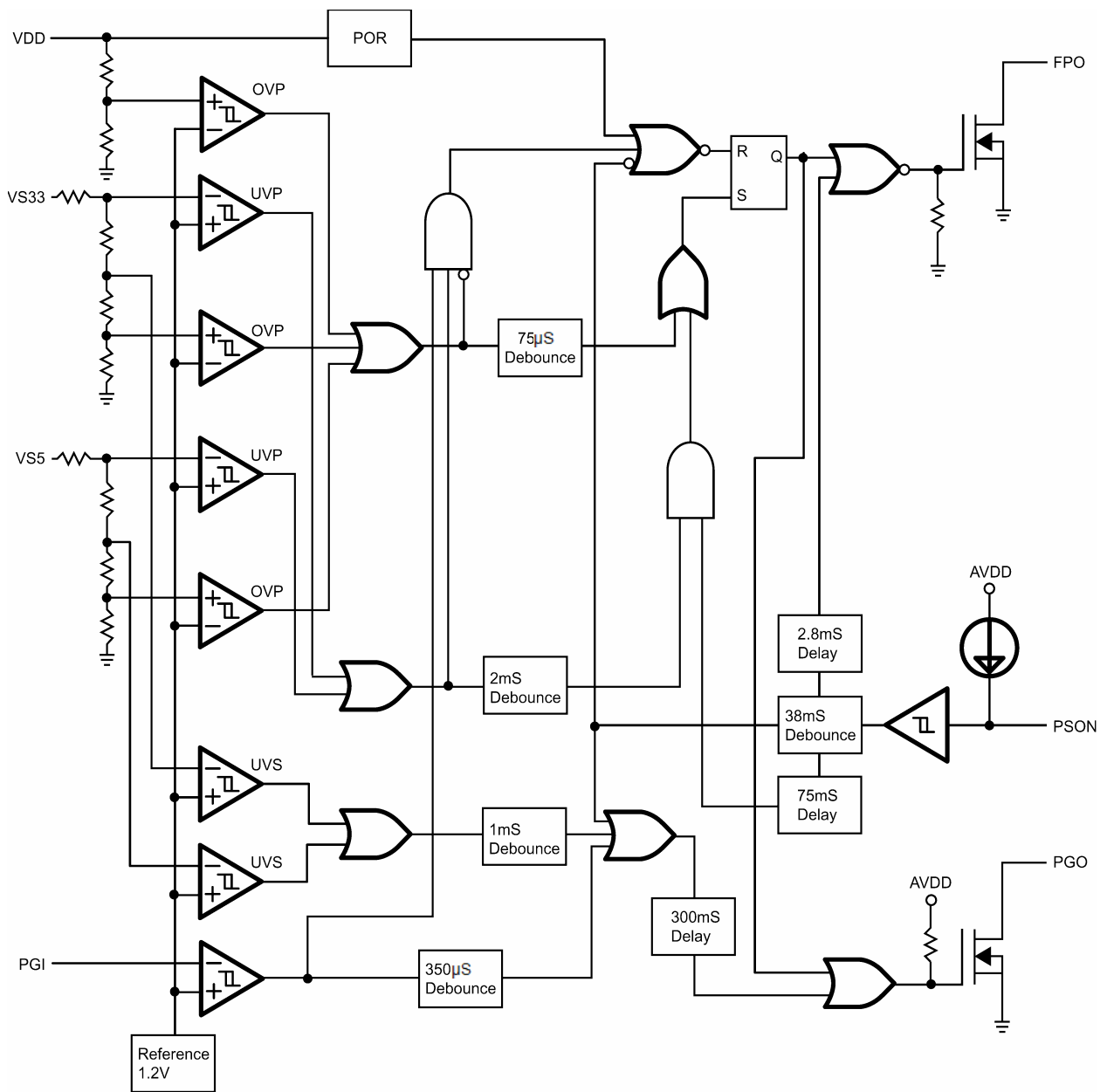
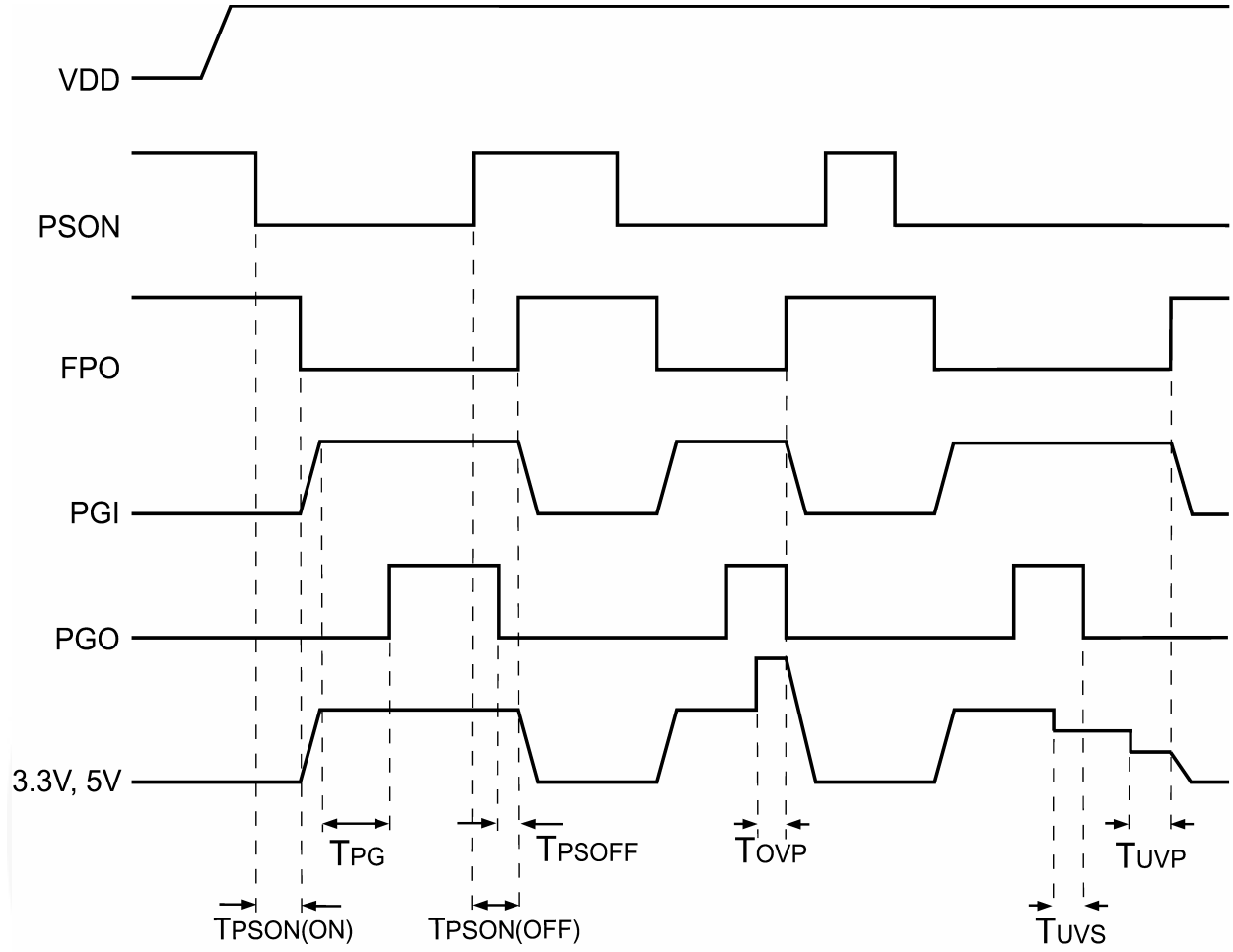
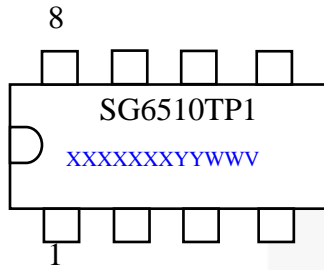


Figure 2. Functional Block Diagram

Timing Diagram

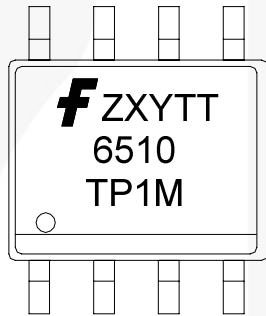


Marking Information



T: D = DIP
 P: Z = Lead Free
 Null = regular package
 XXXXXXXX: Wafer Lot
 YY: Year; WW: Week
 V: Assembly Location

※ Marking for SG6510DZ1 (Pb-free)
 SG6510SZ1 (Pb-free)



1'st line
 Z: Assembly plant code
 X: Year code
 Y: Week code
 TT: Die run code
 3'rd line
 T: Package type (D = DIP, S=SOP)
 P: Y=Green package
 M: Manufacture flow code

※ Marking for SG6510DY1 (Green-compound)
 SG6510SY1 (Green-compound)

Figure 3. Top Mark

Pin Configurations

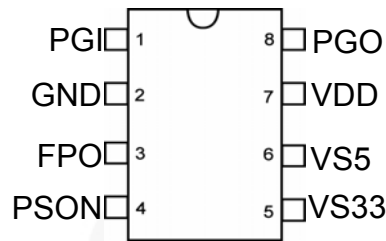


Figure 4. Pin Configuration

Pin Definitions

Pin #	Name	Type	Description
1	PGI	Analog Input	Power-good input. For ATX SMPS, it detects main AC voltage under-voltage and/or failure.
2	GND	Supply	Ground.
3	FPO	Logic Output	Fault protection output (invert). Output signal to control the PWM IC. For example, it controls the PWM IC of primary side through an opto-coupler. When FPO is low, the main SMPS is operational.
4	PSON	Logic Input	Remote on/off logic input from CPU or main-board. Turn on/off the PWM output after a 38ms delay.
5	VS33	Analog Input	3.3 V over/under-voltage control sense input.
6	VS5	Analog Input	5 V over/under-voltage control sense input.
7	VDD	Supply	Supply voltage; 4V ~ 15V. For ATX SMPS, it is connected to 5V-standby and 12V through diodes, respectively.
8	PGO	Logic Output	Power-good logic output, 0 or 1(open-drain). Power good = 1 means that the power is good for operation. The power-good delay is 300ms.

Function Table

PGI	PSON	UV Sense (3.3V or 5V)	UV Protection (3.3V or 5V)	OV Protection	FPO	PGO
PGI<1.2V	L	No	No	No	L	L
PGI<1.2V	L	Yes	No	No	L	L
PGI<1.2V	L	No	Yes	No	L	L
PGI<1.2V	L	No	No	Yes	H	L
PGI<1.2V	L	Yes	Yes	No	L	L
PGI<1.2V	L	Yes	No	Yes	H	L
PGI<1.2V	L	No	Yes	Yes	H	L
PGI<1.2V	L	Yes	Yes	Yes	H	L
PGI>1.2V	L	No	No	No	L	H
PGI>1.2V	L	Yes	No	No	L	L
PGI>1.2V	L	No	Yes	No	H	L
PGI>1.2V	L	No	No	Yes	H	L
PGI>1.2V	L	Yes	Yes	No	H	L
PGI>1.2V	L	Yes	No	Yes	H	L
PGI>1.2V	L	No	Yes	Yes	H	L
PGI>1.2V	L	Yes	Yes	Yes	H	L
X	H	X	X	X	H	L

X = Don't care

FPO = L means: fault IS NOT latched

FPO = H means: fault IS latched

PGO = L means: fault

PGO = H means: No fault

Absolute Maximum Ratings

Stresses exceeding the absolute maximum ratings may damage the device. The device may not function or be operable above the recommended operating conditions and stressing the parts to these levels is not recommended. In addition, extended exposure to stresses above the recommended operating conditions may affect device reliability. The absolute maximum ratings are stress ratings only.

Symbol	Parameter		Min.	Max.	Unit
V _{DD}	DC Supply Voltage		-0.3	16	V
V _i	Input Voltage	PSON, VS33, VS5, PGI	-0.3	8.0	V
V _{OUT}	Output Voltage	FPO	-0.3	16	V
		PGO	-0.3	8.0	V
T _A	Operating Free Air Temperature Range		-40	+85	°C
T _{STG}	Storage Temperature Range		-55	+150	°C
T _L	Soldering Temperature			+260	°C
ESD	Electrostatic Discharge Capability	Human Body Model		2	KV

Note:

1. Stresses above those listed may cause permanent damage to the device.

Recommended Operating Conditions

Symbol	Parameter		Min.	Max.	Unit
V _{DD}	DC Supply Voltage		4	15	V
V _{IL}	Input Voltage	PSON, VS33, VS5, PGI		7	V
V _{OUT}	Output Voltage	FPO		15	V
		PGO		7	
I _{OSINK}	Output Sink Current	FPO		20	mA
		PGO		10	
T _R	Supply Voltage Rising Time ⁽²⁾		1		ms
T _A	Operating Free Air Temperature Range		-30	85	°C

Note:

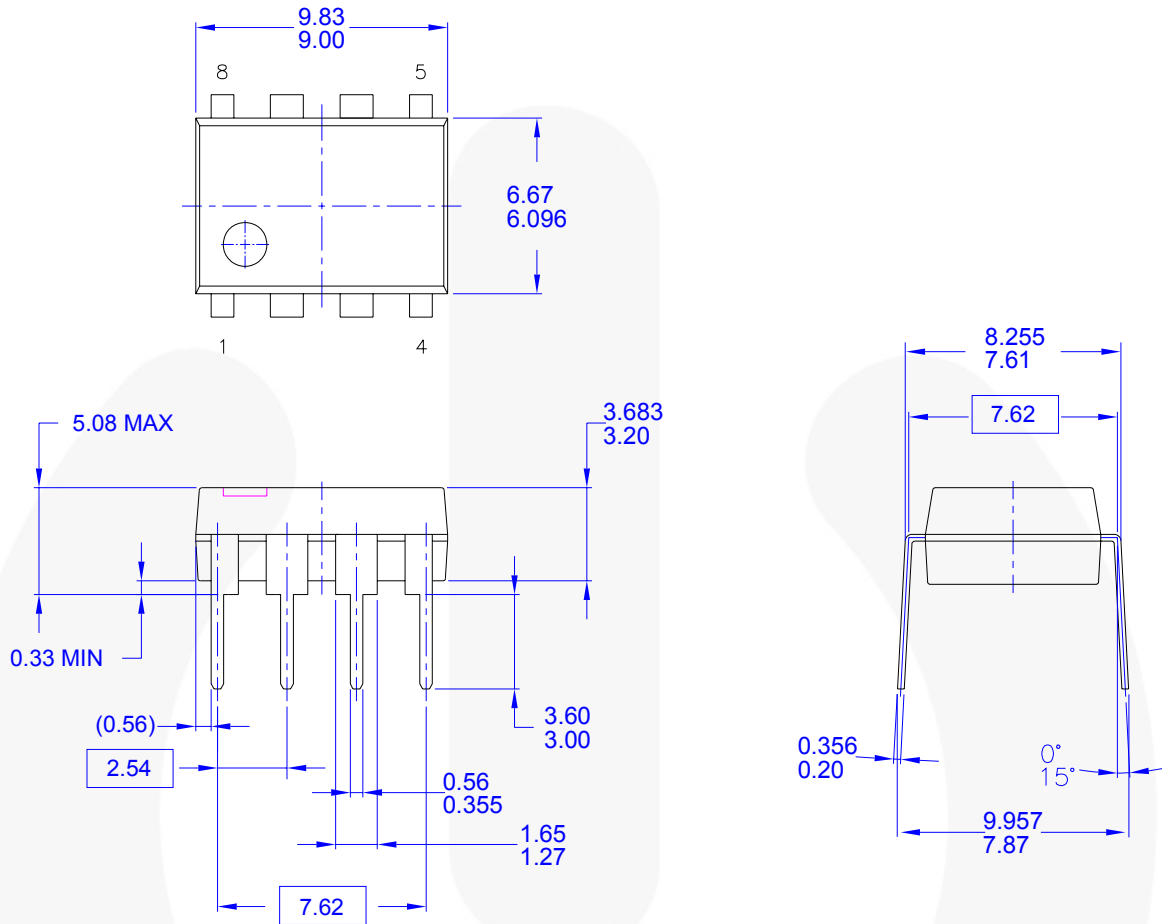
2. V_{DD} rising and falling slew rate must be less than 14V/ms.

Electrical Characteristics

Unless otherwise noted, $V_{DD}=12V$ and $T_A=25^{\circ}C$.

Symbol	Parameter	Conditions	Min.	Typ.	Max.	Units
Over-Voltage Protection						
V_{OVP}	Over-Voltage Protection VS33		3.7	3.9	4.1	V
	Over-Voltage Protection VS5		5.7	6.1	6.5	
	Over-Voltage Protection V_{DD}		13.2	13.8	14.4	
I_{LKG}	Leakage Current (FPO)	$V_{FPO} = 5V$			5	μA
V_{OL}	Low-Level Output Voltage (FPO)	$I_{sink} 20mA$			0.7	V
$t_{D-VDDOVP}$	Timing, OVP to Protection		33	75	110	ms
Under-Voltage and PGI, PGO						
V_{PGI}	Input Threshold Voltage PGI		1.15	1.20	1.25	V
V_{UVS}	Under-Voltage Sense VS33		2.6	2.8	3.0	V
	Under-Voltage Sense VS5		4.0	4.2	4.4	
V_{UVP}	Under-Voltage Protection VS33		2.3	2.5	2.7	V
	Under-Voltage Protection VS5		3.4	3.6	3.8	
t_{UVS}	Timing UVS to Sense (PG)		0.6	1.0	1.5	ms
t_{UVP}	Timing UVP to Protection (FPO)		1.3	2.0	3.0	ms
I_{LKG}	Leakage Current (PGO)	$PGO = 5V$			5	μA
V_{OL}	Low-Level Output Voltage (PGO)	$V_{DD} = 12V, I_{SINK} 10mA$			0.7	V
t_{UVE}	Under-Voltage Enable Delay Time		49	75	114	ms
t_{PG}	Timing PG Delay	PGI to PGO	200	300	450	ms
	Noise Deglitch Time	PGI to PGO	200	350	450	μs
PSON Control						
I_{PSON}	Input Pull-up Current	$PSON = 0V$	100	160	220	μA
V_{IH}	High-Level Input Voltage		2.40	1.85		V
V_{IL}	Low-Level Input Voltage			1.35	1.2	V
t_{PSON}	Timing, PSON to On/Off	On	24	38	57	ms
		Off	24	38	57	
t_{PSOFF}	Timing PG Low to Power Off		1.6	2.8	4.5	ms
Total Device						
I_{DD}	Supply Current	$PSON = 5V/V_{DD} = 5V$		0.7	1.5	mA

Physical Dimensions



- NOTES: UNLESS OTHERWISE SPECIFIED
- A) THIS PACKAGE CONFORMS TO JEDEC MS-001 VARIATION BA
 - B) ALL DIMENSIONS ARE IN MILLIMETERS.
 - C) DIMENSIONS ARE EXCLUSIVE OF BURRS, MOLD FLASH, AND TIE BAR EXTRUSIONS.
 - D) DIMENSIONS AND TOLERANCES PER ASME Y14.5M-1994
 - E) DRAWING FILENAME AND REVISION: MKT-N08FREV2.

Figure 5. 8-Pin, DIP-8 Package

Package drawings are provided as a service to customers considering Fairchild components. Drawings may change in any manner without notice. Please note the revision and/or date on the drawing and contact a Fairchild Semiconductor representative to verify or obtain the most recent revision. Package specifications do not expand the terms of Fairchild's worldwide terms and conditions, specifically the warranty therein, which covers Fairchild products.

Always visit Fairchild Semiconductor's online packaging area for the most recent package drawings:
<http://www.fairchildsemi.com/packaging/>.

Physical Dimensions (Continued)

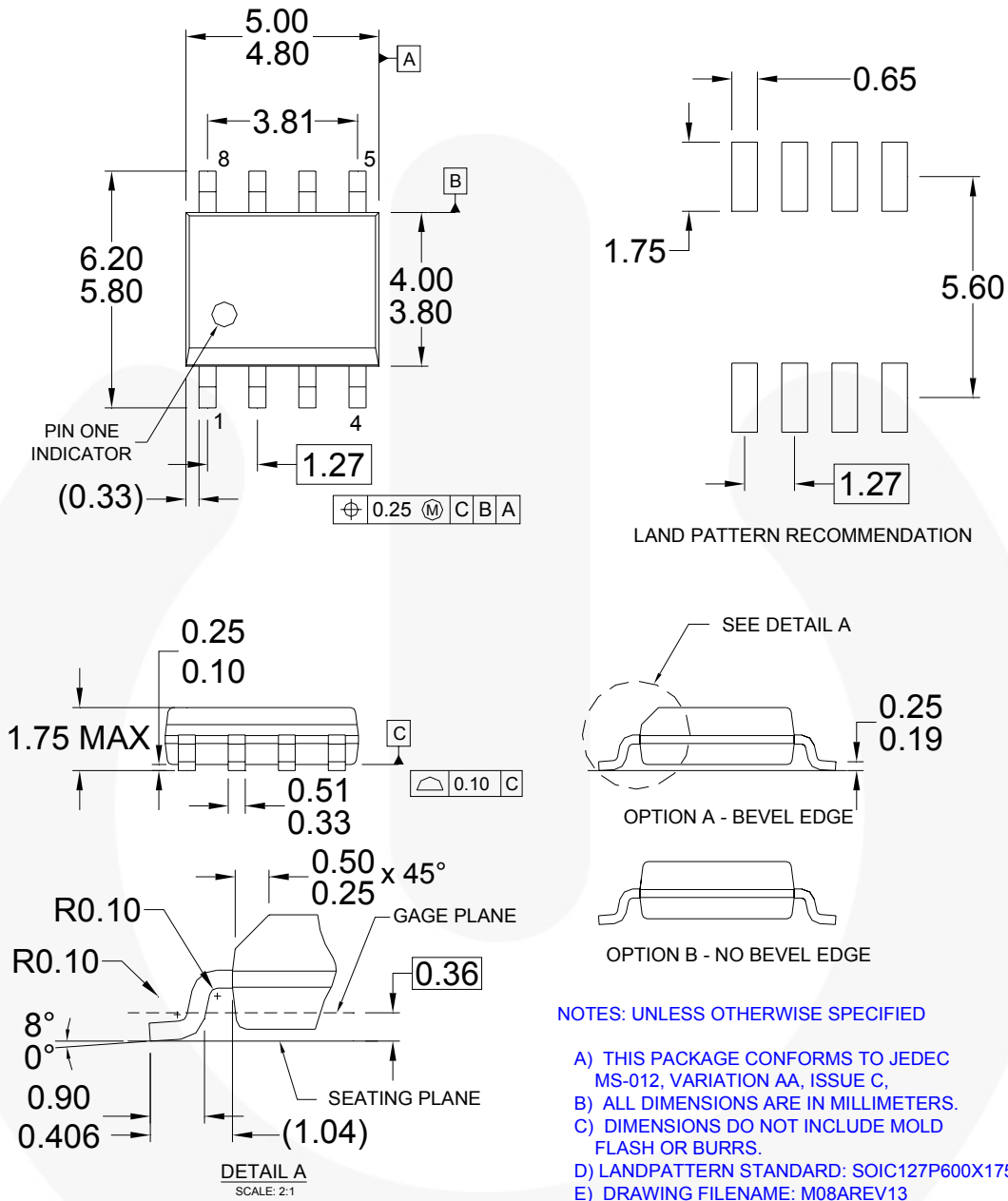


Figure 6. 8-Pin SOP Package

Package drawings are provided as a service to customers considering Fairchild components. Drawings may change in any manner without notice. Please note the revision and/or date on the drawing and contact a Fairchild Semiconductor representative to verify or obtain the most recent revision. Package specifications do not expand the terms of Fairchild's worldwide terms and conditions, specifically the warranty therein, which covers Fairchild products.

Always visit Fairchild Semiconductor's online packaging area for the most recent package drawings:
<http://www.fairchildsemi.com/packaging/>.



TRADEMARKS

The following includes registered and unregistered trademarks and service marks, owned by Fairchild Semiconductor and/or its global subsidiaries, and is not intended to be an exhaustive list of all such trademarks.

- | | | | |
|--------------------------|-------------------------------------|---------------------------------------|-------------------------------------------------------------------------------------------------------------------------------------------------------------------------------------------|
| Build it Now™ | FRFET® | Programmable Active Droop™ | <p>TinyBoost™
TinyBuck™
TinyLogic®
TINYOPTO™
TinyPower™
TinyPWM™
TinyWire™
µSerDes™
UHC®
Ultra FRFET™
UniFET™
VCX™
VisualMax™
XS™</p> |
| CorePLUS™ | Global Power Resource SM | QFET® | |
| CorePOWER™ | Green FPST™ | QST™ | |
| CROSSVOLT™ | Green FPST™ e-Series™ | Quiet Series™ | |
| CTL™ | GTO™ | RapidConfigure™ | |
| Current Transfer Logic™ | IntelliMAX™ | ™ | |
| EcoSPARK® | ISOPANAR™ | Saving our world, 1mW/W/kW at a time™ | |
| EfficientMax™ | MegaBuck™ | SmartMax™ | |
| EZSWITCH™ * | MICROCOUPLER™ | SMART START™ | |
| ™ | MicroFET™ | SPM® | |
| ™ | MicroPak™ | STEALTH™ | |
| Fairchild® | MillerDrive™ | SuperFET™ | |
| Fairchild Semiconductor® | MotionMax™ | SuperSOT™.3 | |
| FACT Quiet Series™ | Motion-SPM™ | SuperSOT™.6 | |
| FACT® | OPTOLOGIC® | SuperSOT™.8 | |
| FAST® | OPTOPLANAR® | SupreMOS™ | |
| FastvCore™ | ™ | SyncFET™ | |
| FlashWriter® * | PDP SPM™ | ™ | |
| FPST™ | Power-SPM™ | The Power Franchise® | |
| F-PFST™ | PowerTrench® | | |
| | PowerXS™ | | |

* EZSWITCH™ and FlashWriter® are trademarks of System General Corporation, used under license by Fairchild Semiconductor.

DISCLAIMER

FAIRCHILD SEMICONDUCTOR RESERVES THE RIGHT TO MAKE CHANGES WITHOUT FURTHER NOTICE TO ANY PRODUCTS HEREIN TO IMPROVE RELIABILITY, FUNCTION, OR DESIGN. FAIRCHILD DOES NOT ASSUME ANY LIABILITY ARISING OUT OF THE APPLICATION OR USE OF ANY PRODUCT OR CIRCUIT DESCRIBED HEREIN; NEITHER DOES IT CONVEY ANY LICENSE UNDER ITS PATENT RIGHTS, NOR THE RIGHTS OF OTHERS. THESE SPECIFICATIONS DO NOT EXPAND THE TERMS OF FAIRCHILD'S WORLDWIDE TERMS AND CONDITIONS, SPECIFICALLY THE WARRANTY THEREIN, WHICH COVERS THESE PRODUCTS.

LIFE SUPPORT POLICY

FAIRCHILD'S PRODUCTS ARE NOT AUTHORIZED FOR USE AS CRITICAL COMPONENTS IN LIFE SUPPORT DEVICES OR SYSTEMS WITHOUT THE EXPRESS WRITTEN APPROVAL OF FAIRCHILD SEMICONDUCTOR CORPORATION.

As used herein:

1. Life support devices or systems are devices or systems which, (a) are intended for surgical implant into the body or (b) support or sustain life, and (c) whose failure to perform when properly used in accordance with instructions for use provided in the labeling, can be reasonably expected to result in a significant injury of the user.
2. A critical component in any component of a life support, device, or system whose failure to perform can be reasonably expected to cause the failure of the life support device or system, or to affect its safety or effectiveness.

ANTI-COUNTERFEITING POLICY

Fairchild Semiconductor Corporation's Anti-Counterfeiting Policy. Fairchild's Anti-Counterfeiting Policy is also stated on our external website, www.fairchildsemi.com, under Sales Support.

Counterfeiting of semiconductor parts is a growing problem in the industry. All manufacturers of semiconductor products are experiencing counterfeiting of their parts. Customers who inadvertently purchase counterfeit parts experience many problems such as loss of brand reputation, substandard performance, failed applications, and increased cost of production and manufacturing delays. Fairchild is taking strong measures to protect ourselves and our customers from the proliferation of counterfeit parts. Fairchild strongly encourages customers to purchase Fairchild parts either directly from Fairchild or from Authorized Fairchild Distributors who are listed by country on our web page cited above. Products customers buy either from Fairchild directly or from Authorized Fairchild Distributors are genuine parts, have full traceability, meet Fairchild's quality standards for handling and storage and provide access to Fairchild's full range of up-to-date technical and product information. Fairchild and our Authorized Distributors will stand behind all warranties and will appropriately address any warranty issues that may arise. Fairchild will not provide any warranty coverage or other assistance for parts bought from Unauthorized Sources. Fairchild is committed to combat this global problem and encourage our customers to do their part in stopping this practice by buying direct or from authorized distributors.

PRODUCT STATUS DEFINITIONS

Definition of Terms

Datasheet Identification	Product Status	Definition
Advance Information	Formative / In Design	Datasheet contains the design specifications for product development. Specifications may change in any manner without notice.
Preliminary	First Production	Datasheet contains preliminary data; supplementary data will be published at a later date. Fairchild Semiconductor reserves the right to make changes at any time without notice to improve design.
No Identification Needed	Full Production	Datasheet contains final specifications. Fairchild Semiconductor reserves the right to make changes at any time without notice to improve the design.
Obsolete	Not In Production	Datasheet contains specifications on a product that is discontinued by Fairchild Semiconductor. The datasheet is for reference information only.

Rev. 137