

EZ-2P3-GT

SC-8P1-GG

SC, EZ SERIES

STANDARD, LOW PROFILE & SMT SOCKETS

Specifications: SC, SK

Contact:

BeCu

Shell:

Brass

-GG Plating:

30µ" (0,76µm) Au over 50µ" (1,27µm) Ni on contact;
10µ" (0,25µm) Au over 50µ" (1,27µm) Ni on shell

-GT Plating:

30µ" (0,76µm) Au over 50µ" (1,27µm) Ni on contact; Sn over 50µ" (1,27µm) Ni on shell

-TT Plating:

Sn over 50µ" (1,27µm) Ni on contact; Sn over 50µ" (1,27µm) Ni on shell

-ST Plating:

10µ" (0,25µm) Au over 50µ" (1,27µm) Ni on contact; Sn over 50µ" (1,27µm) Ni on shell

Current Rating:

1 A

Contact Resistance:

10 mΩ max

Insertion Force (SC):

9 oz (2,50N) avg, 16 oz (4,45N) max

Withdrawal Force (SC):

2.5 oz (0,70N) avg, 1.5 oz (0,42N) min

Insertion Force (EZ):

2.5 oz (0,70N) avg, 5.5 (1,53N) oz max

Withdrawal Force (EZ):

2.0 oz (0,56N) avg, 0.35 oz (0,10mm) min

Lead DIA Accepted:

.015" to .022" (0,38mm to 0,56mm) and most IC leads

RECOMMENDED PC HOLE SIZE:

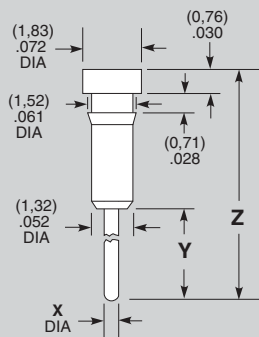
LEAD SIZE	HOLE SIZE
(0,46) .018 DIA	(0,61) .024 DIA
(0,51) .020 DIA	(0,66) .026 DIA
(0,64) .025 DIA	(0,79) .031 DIA
(0,76) .030 DIA	(0,91) .036 DIA
(0,89) .035 DIA	(1,04) .041 DIA
(1,14) .045 DIA	(1,30) .051 DIA
(1,32) .052 DIA	(1,47) .058 DIA
(0,46) .018 SQ	(0,76) .030 DIA
(0,64) .025 SQ	(1,02) .040 DIA
(1,14) .045 SQ	(1,75) .069 DIA
(0,20) .008 x (0,71) .028	(0,89) .035 DIA
(0,25) .010 x (0,51) .020	(0,71) .028 DIA
(0,41) .016 x (0,51) .020	(0,79) .031 DIA
(0,41) .016 x (0,61) .024	(0,89) .035 DIA
(0,41) .016 x (0,79) .031	(1,04) .041 DIA

Note:

Some sizes, styles and options are non-standard, non-returnable.

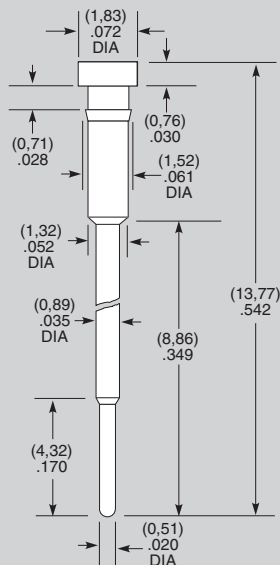
SC-1P1-, SC-6P1-, EZ-1P1-, EZ-6P1-

Part No.	X DIA	Y ±.010	Z ±.015
SC-1P1- EZ-1P1-	(0,51) .020	(3,18) .125	(7,62) .300
SC-6P1- EZ-6P1-	(0,51) .020	(4,57) .180	(8,89) .350



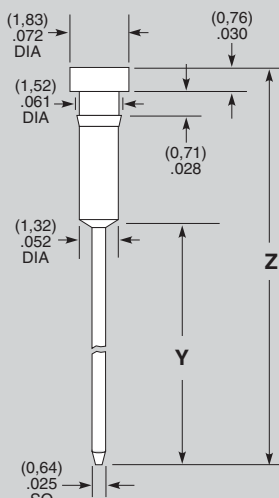
Insertion Depth (SC-1P1, SC-6P1, SC-7P1) = .095" to .145" (2,41mm to 3,68mm)
Plating Available (SC-1P1) = GG, GT, TT, ST
Plating Available (SC-6P1) = GG, GT

EZ-2P3-



Insertion Depth = .125" to .170" (3,18mm to 4,32mm)
Plating Available = GG, GT

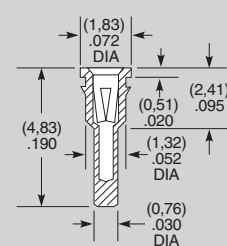
SC-1W1- EZ-1W1-



Part No.	Y ±.010	Z ±.015
SC-1W1-XX-1 EZ-1W1-XX-1	(12,95) .510	(17,86) .703
SC-1W1-XX-2 EZ-1W1-XX-2	(9,14) .360	(14,05) .553
SC-1W1-XX-3 EZ-1W1-XX-3	(6,60) .260	(11,51) .453

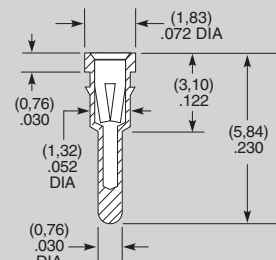
Insertion Depth = .125" to .157" (3,18mm to 3,99mm)
Plating Available = GG, GT, TT

SC-5P1-



Insertion Depth = .080" to .150" (2,03mm to 3,81mm)
Lead DIA Accepted: .016" to .020" (0,41mm to 0,51mm)
Plating Available = GG, GT, TT

SC-3P1-



Insertion Depth = .105" to .170" (2,67mm to 4,32mm)
Lead DIA Accepted: .015" to .020" (0,38mm to 0,51mm)
Plating Available = GG, GT, TT

Due to technical progress, all designs, specifications and components are subject to change without notice.



SC-1P4-GG

SC-8P1-GT

SC, EZ SERIES

STANDARD, LOW PROFILE & SMT SOCKETS

Specifications:

SC-1P4

Contact:
BeCu
Shell:
Brass
-GG Plating:
20µ" (0,51µm) Au over 50µ"
(1,27µm) Ni on contact
-GT Plating:
20µ" (0,51µm) Au over 50µ"
(1,27µm) Ni on contact
Current Rating:
5 A
Contact Resistance:
10 mΩ max
Insertion Force:
6.5 oz (1,81N) avg, 13 oz
(3,62N) max (.032" (0,81mm)
DIA probe)
Withdrawal Force:
3 oz (0,83N) avg, 2 oz
(0,56N) min (.032" (0,81mm)
DIA probe)

Specifications:

SC-2P8

Contact:
BeCu
Shell:
Brass
-GG Plating
20µ" (0,51µm) Au over 50µ"
(1,27µm) Ni on contact;
10µ" (0,25µm) Au over 50µ"
(1,27µm) Ni on shell
-GT Plating:
20µ" (0,51µm) Au over 50µ"
(1,27µm) Ni on contact;
200µ" (5,08µm) Sn over 50µ"
(1,27µm) Ni on shell
Current Rating:
10 A
Contact Resistance:
10 mΩ max
Insertion Force:
16 oz (4,45N) max
(.040" (1,02mm) DIA probe)
Withdrawal Force:
4 oz (1,11N) min (.040"
(1,02mm) DIA probe)

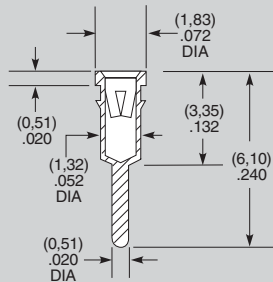
Specifications:

T, S

-G Plating:
Au over 50µ" (1,27µm) Ni
-T Plating:
Sn over 50µ" (1,27µm) Ni or
100µ" (2,54µm) Cu
Current Rating:
1A except T-1S6 is 5A

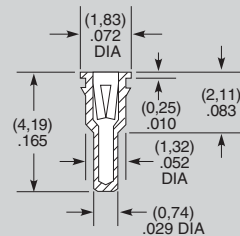
Note:
Some sizes, styles and
options are non-standard,
non-returnable.

SC-4P1-, EZ-4P1-



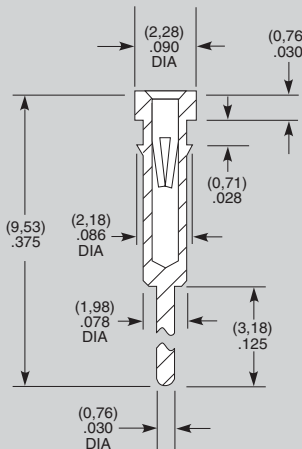
Insertion Depth = .080" to .105" (2,03mm to 2,67mm)
Lead DIA Accepted: .016" to .021" (0,41mm to 0,53mm)
Plating Available = GG, GT, TT

SC-8P1-



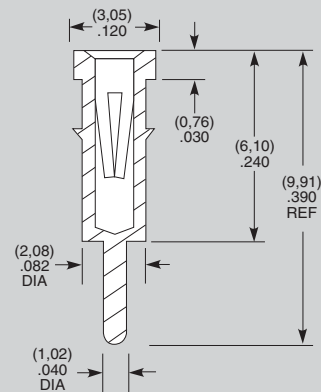
Insertion Depth = .085" to .140" (2,16mm to 3,56mm)
Lead DIA Accepted: .016" to .020" (0,41mm to 0,51mm)
Plating Available = GG, GT, TT

SC-1P4-



Insertion Depth = .175" (4,45mm) to .215" (5,46mm)
Lead DIA Accepted = .032" (0,81mm) to .038" (0,97mm)
Plating Available = GG, GT

SC-2P8-



Insertion Depth = .165" (4,91mm) to .220" (5,59mm)
Lead DIA Accepted = .035" (0,89mm) to .045" (1,14mm)
Plating Available = GG, GT

Due to technical progress, all designs, specifications and components are subject to change without notice.

WWW.SAMTEC.COM