

SPECIFICATIONS

Mechanical

Plug Mating Force: 0.30~3.00kg
Plug Unmating Force: 0.30~3.00kg
Durability: 5000 Cycles

Electrical

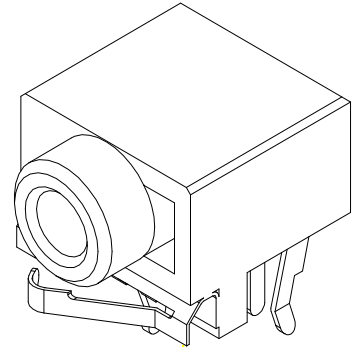
Current Rating: 1.00A
Contact Resistance: 30mW max.
Insulation Resistance: 100MW min.
Dielectric Withstanding Voltage: 500V AC min.

Physical

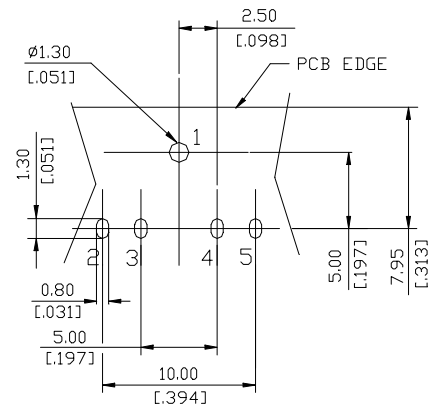
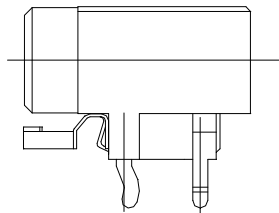
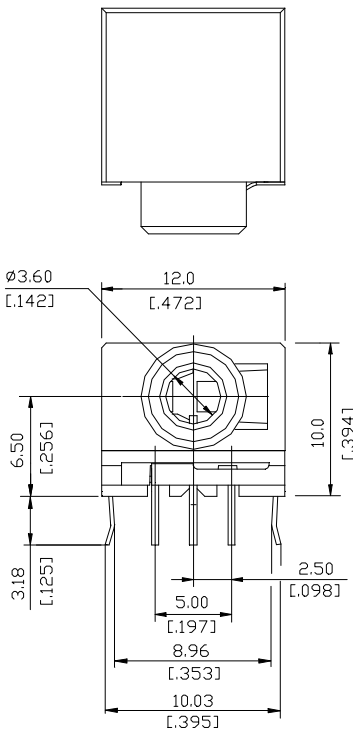
Housing: Thermoplastic, UL 94V-0 rated
Contact: Copper alloy
Plating: See "ORDERING INFORMATION"
Operating Temperature: -25 to +85
Recommended Thickness of PCB: 1.60[.063]

Audio Jack Connector

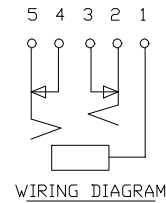
JA Series
Single Port Jack, R/A,
T/H Type
Ø3.5mm [.138"]
5 Pos.



DRAWING



RECOMMENDED P.C.B LAYOUT



ORDERING INFORMATION

PRODUCT NO.: JA 1 3 3 3 M - Q247 - 4 F

