



5.08mm (.200") Pitch Beau Eurostyle® Single-piece Terminal Block

39880, 39884
Fixed



88 Series

FEATURES AND SPECIFICATIONS

Features and Benefits

- 2 to 24 circuits
- Holds wires for secure, reliable contact
- Molded to length
- High flammability rating

Electrical

Voltage: 300 V
Maximum Current: 15 Amp
Insulation Resistance: >5,000 Megaohms

Mechanical

Rec. Tightening Torque: 5 in. lbs, .56 Nm
Operating Temperature: 110°C
Wire Strip Length: 1/4" or 6mm

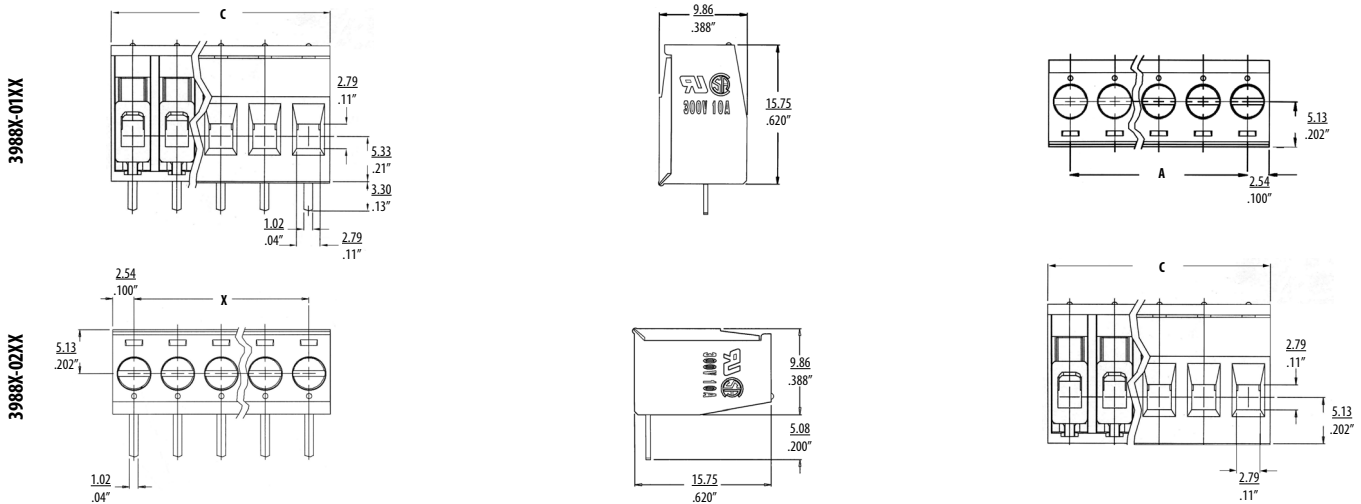
Physical

Housing: Polyamide, UL94 V-0, black
Screws: 3mm Steel
Screw Plating: Zinc chromate
Contacts: Phosphor bronze
Contact Plating: Tin
Pressure Clamp: Brass
Pressure Clamp Plating: Nickel
Wire Range: 12 to 26 AWG, 2.5 to 0.2mm²

Reference Information

UL : File No. E48521
Guide No. XCFR2
CSA: File No. 025562

CATALOG DRAWING (FOR REFERENCE ONLY)



ORDERING INFORMATION AND DIMENSIONS

Order # (Engineering #) Replace XX with # of circuits, 02-24

Vertical		Right Angle	
Steel Screws	Bronze Screws	Tin Plated	Gold Plated
39880-01XX (8805XX)	39884-01XX (8805XX-49)	39880-02XX (8808XX)	39884-02XX (8808XX-49)

# of Circuits	A		C		# of Circuits	A		C	
	in	mm	in	mm		in	mm	in	mm
2	.20	5.1	.40	10.2	14	2.60	66.0	2.80	71.1
3	.40	10.2	.60	15.2	15	2.80	71.1	3.00	76.2
4	.60	15.2	.80	20.3	16	3.00	76.2	3.20	81.3
5	.80	20.3	1.00	25.4	17	3.20	81.3	3.40	86.4
6	1.00	25.4	1.20	30.5	18	3.40	86.4	3.60	91.4
7	1.20	30.5	1.40	35.6	19	3.60	91.4	3.80	96.5
8	1.40	35.6	1.60	40.6	20	3.80	96.5	4.00	101.6
9	1.60	40.6	1.80	45.7	21	4.00	101.6	4.20	106.7
10	1.80	45.7	2.00	50.8	22	4.20	106.7	4.40	111.8
11	2.00	50.8	2.20	55.9	23	4.40	111.8	4.60	116.8
12	2.20	55.9	2.40	61.0	24	4.60	116.8	4.80	121.9
13	2.40	61.0	2.60	66.0					

*Consult factory for imprinting and other options

Molex Industrial Division
New England Operations
Gilford, NH 03249-6600
Phone (603) 524-5101
Fax (603) 524-1627