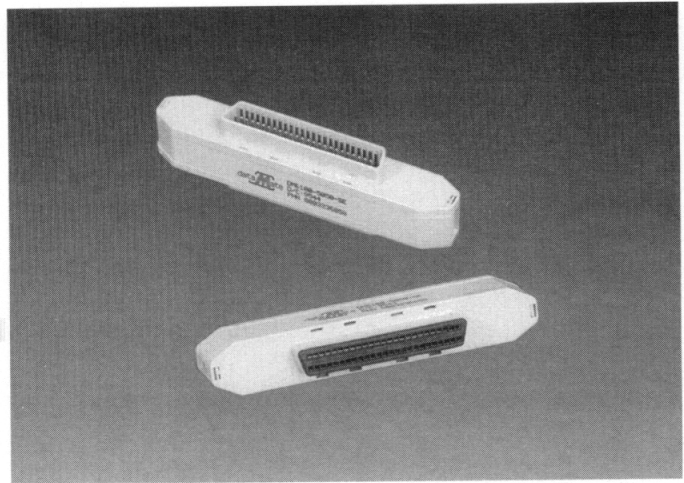




DM6100 High Density Feed Thru Wide and Narrow



Part Number	Circuit
DM6100 - 5050 - R	= Single-Ended, Active
5050 - RSK	= Single-Ended, Active with SLICK Circuit
02 - 68	= Single-Ended, Passive
01 - 68	= Differential
02 - 68R	= Single-Ended Active
02 - 68RSK	= Single-Ended, Active with SLICK Circuit
02 - 68ADR	= SINGLE-ENDED, ACTIVE DEASSERTION
6868 - F40	= Single-Ended Fast 40
6868 - F40SK	= Single-Ended, Active with SLICK Circuit, FAST40

Specifications

Contact Material:

Phosphor bronze, selective gold over nickel plated

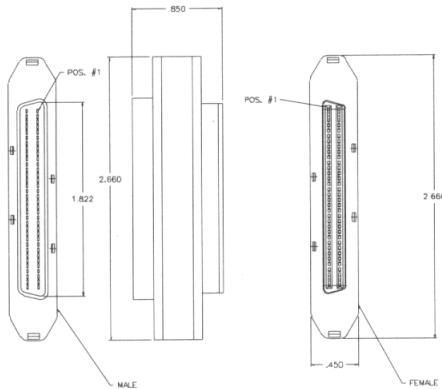
Insulator Material:

Reinforced thermoplastic, rated 94V-0

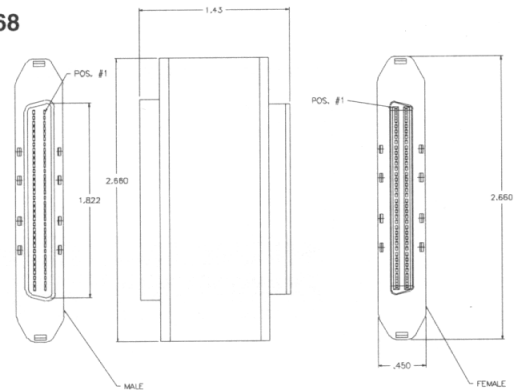
D-Shape Housings and Cover:

Reinforced thermoplastic, rated 94V-0

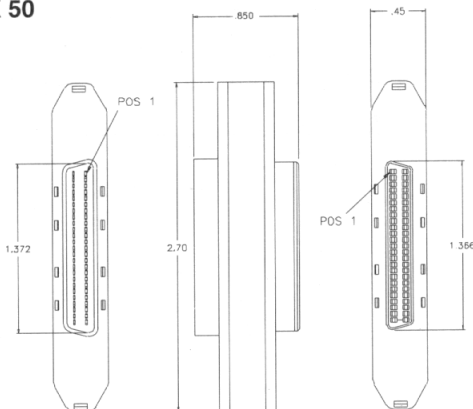
68 X 68



68 X 68



50 X 50



50 X 50

