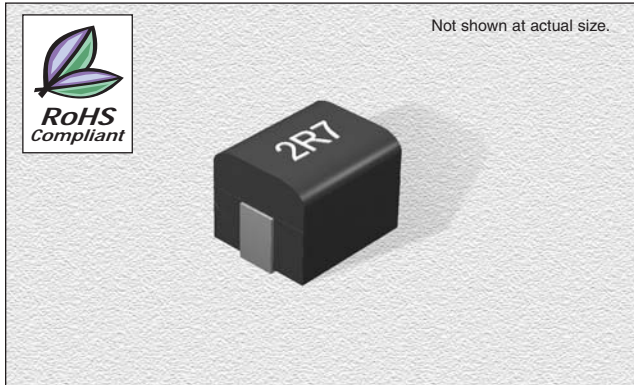


## CTMC1812F Series

From .10  $\mu\text{H}$  to 1,000  $\mu\text{H}$

### ENGINEERING KIT #12



### CHARACTERISTICS

**Description:** Ferrite core, wire-wound molded chip inductor

**Applications:** TV's, VCR's, disk drives, computer peripherals, telecommunication devices and electronic control boards for automobiles

**Operating Temperature:** -40°C to +100°C

**Inductance Tolerance:**  $\pm 5\%$ ,  $\pm 10\%$  &  $\pm 20\%$

**Testing:** Inductance and Q are tested on an HP4285A at specified frequency

**Packaging:** Tape & Reel

**Part Marking:** Inductance code or inductance code plus tolerance.

**Miscellaneous:** RoHS Compliant.

**Additional Information:** Additional electrical & physical information available upon request

**Samples available. See website for ordering information.**

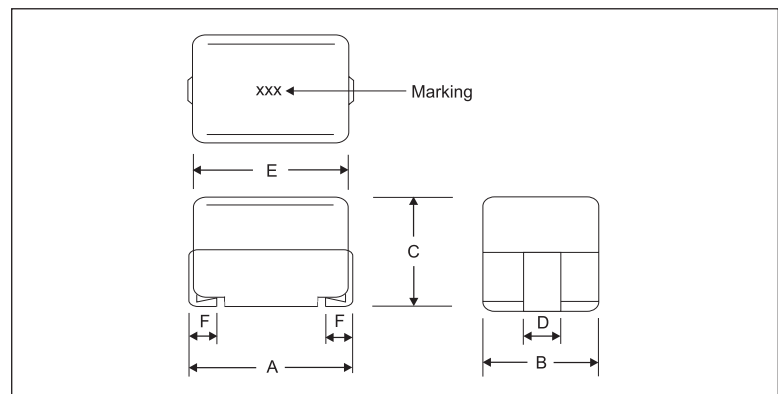
### SPECIFICATIONS

Please specify tolerance code when ordering.  
CTMC1812F-R10\_ ← J =  $\pm 5\%$ , K =  $\pm 10\%$ , M =  $\pm 20\%$

Part Number	Inductance ( $\mu\text{H}$ )	L Test Freq. (MHz)	Q Factor Min.	Q Test Freq. (MHz)	SRF Min. (MHz)	DCR Max. ( $\Omega$ )	Rated DC (mA)
CTMC1812F-R10_	.10	25.2	35	25.2	300	.18	800
CTMC1812F-R12_	.12	25.2	35	25.2	280	.20	770
CTMC1812F-R15_	.15	25.2	35	25.2	250	.22	730
CTMC1812F-R18_	.18	25.2	35	25.2	220	.24	700
CTMC1812F-R22_	.22	25.2	40	25.2	200	.25	665
CTMC1812F-R27_	.27	25.2	40	25.2	180	.26	635
CTMC1812F-R33_	.33	25.2	40	25.2	165	.28	605
CTMC1812F-R39_	.39	25.2	40	25.2	150	.30	575
CTMC1812F-R47_	.47	25.2	40	25.2	145	.32	545
CTMC1812F-R56_	.56	25.2	40	25.2	140	.36	520
CTMC1812F-R68_	.68	25.2	40	25.2	135	.40	500
CTMC1812F-R82_	.82	25.2	40	25.2	130	.45	475
CTMC1812F-1R0_	1.0	7.96	50	7.96	100	.50	450
CTMC1812F-1R2_	1.2	7.96	50	7.96	80	.55	430
CTMC1812F-1R5_	1.5	7.96	50	7.96	70	.60	410
CTMC1812F-1R8_	1.8	7.96	50	7.96	60	.65	390
CTMC1812F-2R2_	2.2	7.96	50	7.96	55	.70	380
CTMC1812F-2R7_	2.7	7.96	50	7.96	50	.75	370
CTMC1812F-3R3_	3.3	7.96	50	7.96	45	.80	355
CTMC1812F-3R9_	3.9	7.96	50	7.96	40	.90	330
CTMC1812F-4R7_	4.7	7.96	50	7.96	35	1.0	315
CTMC1812F-5R6_	5.6	7.96	50	7.96	33	1.1	300
CTMC1812F-6R8_	6.8	7.96	50	7.96	27	1.2	285
CTMC1812F-8R2_	8.2	7.96	50	7.96	25	1.4	270
CTMC1812F-100_	10	2.52	50	2.52	20	1.6	250
CTMC1812F-120_	12	2.52	50	2.52	18	2.0	225
CTMC1812F-150_	15	2.52	50	2.52	17	2.5	200
CTMC1812F-180_	18	2.52	50	2.52	15	2.8	190
CTMC1812F-220_	22	2.52	50	2.52	13	3.2	180
CTMC1812F-270_	27	2.52	50	2.52	12	3.6	170
CTMC1812F-330_	33	2.52	50	2.52	11	4.0	160
CTMC1812F-390_	39	2.52	50	2.52	10	4.5	150
CTMC1812F-470_	47	2.52	50	2.52	10	5.0	140
CTMC1812F-560_	56	2.52	50	2.52	9.0	5.5	135
CTMC1812F-680_	68	2.52	50	2.52	9.0	6.0	130
CTMC1812F-820_	82	2.52	50	2.52	8.0	7.0	120
CTMC1812F-101_	100	.796	40	.796	8.0	8.0	110
CTMC1812F-121_	120	.796	40	.796	6.0	8.0	110
CTMC1812F-151_	150	.796	40	.796	5.0	9.0	105
CTMC1812F-181_	180	.796	40	.796	5.0	9.5	102
CTMC1812F-221_	220	.796	40	.796	4.0	10	100
CTMC1812F-271_	270	.796	40	.796	4.0	12	92
CTMC1812F-331_	330	.796	40	.796	3.5	14	85
CTMC1812F-391_	390	.796	40	.796	3.0	18	80
CTMC1812F-471_	470	.796	40	.796	3.0	26	62
CTMC1812F-561_	560	.796	30	.796	3.0	30	50
CTMC1812F-681_	680	.796	30	.796	3.0	30	50
CTMC1812F-821_	820	.796	30	.796	2.5	35	30
CTMC1812F-102_	1000	.252	25	.252	2.5	40	30

### PHYSICAL DIMENSIONS

Size	A	B	C	D	E	F
mm	4.5 $\pm$ 0.3	3.2 $\pm$ 0.2	3.2 $\pm$ 0.2	1.2	4.2 $\pm$ 0.2	1
inches	0.18 $\pm$ 0.012	0.13 $\pm$ 0.008	0.13 $\pm$ 0.008	0.047	0.17 $\pm$ 0.008	0.04



07.08.08