

Type N Termination, 50 Watt

Specifications

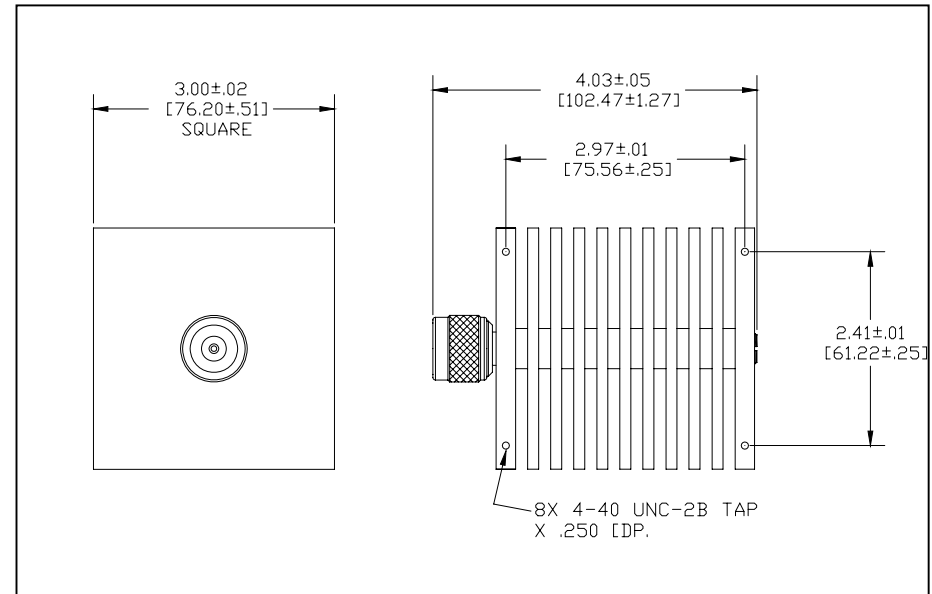
Electrical:

- Freq. Ranges: DC - 6.0 GHz
DC-12.4 GHz
DC-18 GHz
- VSWR: DC-6 GHz 1.25:1 Max
6-12.4 GHz 1.35:1 Max
12.4-18 GHz 1.45:1 Max
- Input Power: 50 Watts Avg. @ 25° C
Derated Linearly to 10 Watts @ +125 °C
- Peak Power: 500 Watts Max
5 usec Pulse; 0.05% Duty Cycle

Mechanical:

- Connector Material: Passivated Stainless Steel
- Heat Sink Material: Black Anodized Aluminum
- Center Conductor Material: Gold Plated Beryllium Copper

Outline Drawing



Ordering Guide

Part Number Format:: 6 GHz	3001-7550-06
12.4 GHz	3001-7550-12
18 GHz	3001-7550-18

Contact Factory for custom connector configurations