

Realizing the simplification of power Supply and downsizing IPD for switching power supply (MIP531)

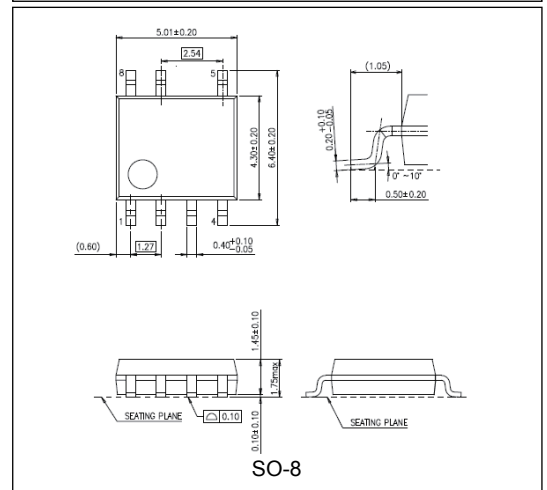
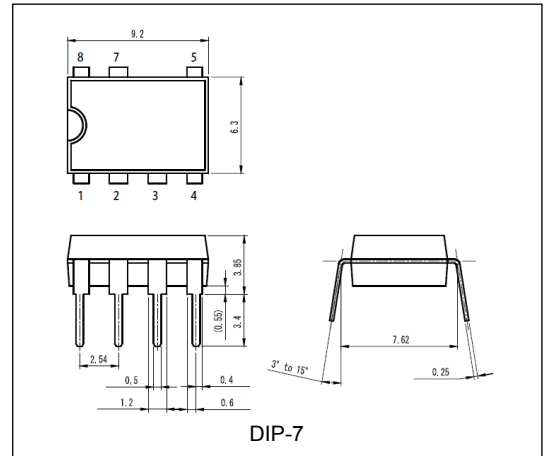
Overview

MIP531 supporting W/W input voltage is a suitable device for white goods(3 to 6W) such as Air conditioner [outdoor equipment] and refrigerator, etc.

This device enables operation without a bias winding, which leads to a simple and reasonable power supply, and features noise reduction and various protection functions.

Features

- Frequency jitter function
⇒Average level of conduction noise is reduced
- Protection functions
 - Over load protection
⇒Auto restart (Timer intermittent operation)
 - Over voltage protection
⇒Latch mode stop
 - Over temperature protection
⇒Auto restart (Shutdown at 140°C, hysteresis at 70°C)
- Package lineup
DIP-7, SO-8



Pin	pin name
1	VIN
2	NC(Non connected)
3	FB
4	VDD
5	DRAIN
6	-
7	SOURCE
8	SOURCE

Applications

White goods, etc.

Specifications

Product Name	Characteristics			Release Schedule	
	VDSS	ILIMIT	Fosc (typ.)		
MIP531	700V	0.35A	125kHz	DIP-7	10/M ES available
				SO-8	11/T ES available

■ Example of application circuit

