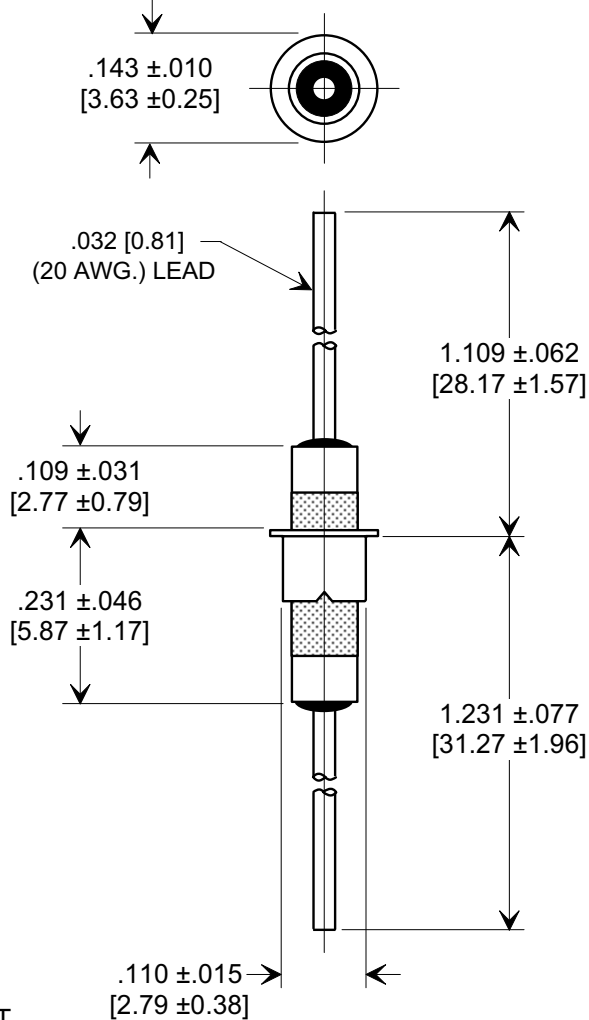
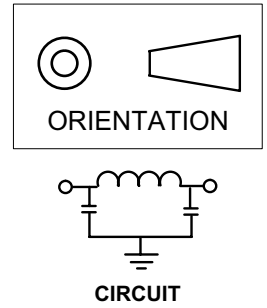


# MARKETING SALES DRAWING

**DIMENSIONS IN INCHES - DO NOT SCALE THIS DRAWING**  
**DIMENSIONS IN METRIC - [ ]**

Electrical Testing  
 per Tusonix standard  
 test plans and Mil-Std-202  
 Test Methods.



**NOTES:**

- TUSONIX STANDARD PART  
 NUMBER: 4100-033.  
 TUSONIX RoHS COMPLIANT PART  
 NUMBER: 4100-033 LF.  
 CUSTOMER MUST SPECIFY STANDARD OR  
 RoHS PART NUMBER WHEN ORDERING.
- LEAD FINISH: STANDARD PART #: SILVER PLATED.  
 RoHS PART #: SILVER PLATED.
- EYELET FINISH: STANDARD PART #: 60/40 SOLDER PLATED.  
 RoHS PART #: SILVER PLATED.
- PART MARKING: STANDARD, NO MARKING.  
 RoHS PART: GREEN DOT ON INSULATION BAND,  
 TYPICAL LOCATION.

MIN. CAP.(pf)	WORKING VOLTAGE (WVDC)		DC CURRENT	I.R. MIN. @ 100 (VDC.)	DWV (VDC)	MINIMUM NO LOAD INSERTION LOSS (dB) AT 25°C PER MIL-STD-220			
	85 °C	125 °C				10 MHz	100 MHz	1 GHz	10 GHz
1500	250	125	10 A	10 G	500	6	45	70	70

X-2015 Rev-0 REVISION RECORD Original Release C.O. 931018-2 RDWN TO COMP FMT & REVISED DIMENSIONS. S.M. 08-10-99 19990809-1-02 ADDED NOTES, DWV & IR. S.M. 06-07-05 20050526-4-09	0	<b>EYELET STYLE EMI FILTER</b>	--TOLERANCES-- Unless Otherwise Specified		Title	
	1		DECIMAL ± .031 [0.79]		Drawn S.M. 08-10-99	
	2		ANGLES ±		Scale 4 X	
	<b>TUSONIX</b> TUCSON, ARIZONA		Approved E.F. 08-10-99		A	4100-033