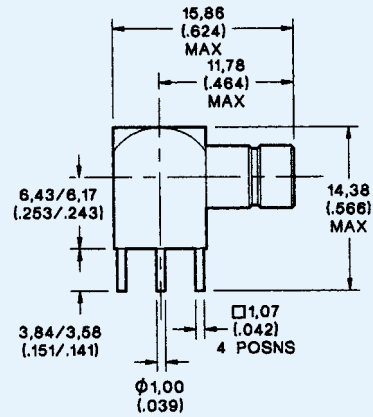


Printed Circuit Board Connectors

Right Angle PCB Jack

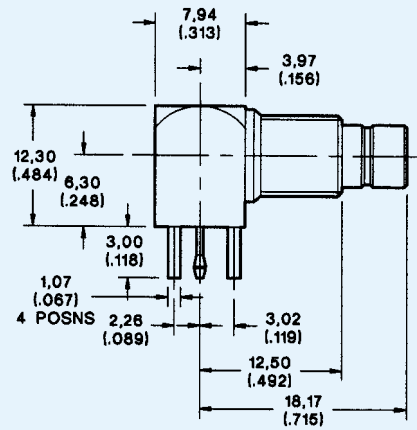
	Part Number	BT Ref.
Single Piece	051-153-9089A90	PLUG43/1E
Tray Packed (100)	051-153-9089A9A	PLUG43/1E



Mounting Plan A (Page 108)

Right Angle Bulkhead PCB Jack with Board Retaining Legs

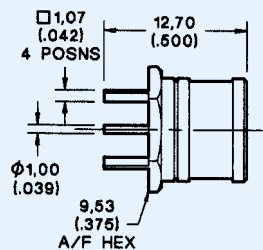
	Part Number
Tray Packed (100)	051-153-9119BAA
Panel Mounting Hardware Kit	B0023382



Mounting Plan A (Page 108)

Straight PCB Snap-On Plug

Part Number  
051-152-0000220



Mounting Plan A (Page 108)