

ICL8018A/8019A/8020A

4-Bit Expandable Current-Switch



ICL8018A/8019A/8020A

GENERAL DESCRIPTION

The Intersil ICL8018A family are high speed precision current switches for use in current summing digital-to-analog converters. They consist of four logically controlled current switches and a reference device on a single monolithic silicon chip. The reference transistor, combined with precision resistors and an external source, determines the magnitude of the currents to be summed. By weighting the currents in proportion to the binary bit which controls them, the total output current will be proportional to the binary number represented by the input logic levels.

The performance and economy of this family make them ideal for use in digital-to-analog converters for industrial process control and instrumentation systems.

FEATURES

- TTL Compatible
- 12 Bit Accuracy
- 40ns, Switching Speed
- Wide Power Supply Range
- Low Temperature Coefficient

APPLICATIONS:

- D/A and A/D Converters
- Digital Threshold Control
- Programmable Voltage Source
- Meter Drive
- X-Y Plotters

ORDERING INFORMATION

ACCURACY	MILITARY TEMP RANGE CERDIP	COMMERCIAL TEMP RANGE PLASTIC DIP
Individual Devices .01% 0.1% 1.0%	ICL8018AMJD ICL8019AMJD ICL8020AMJD	ICL8018ACPD ICL8019ACPD ICL8020ACPD
Matched Sets* 01% 0.1% 1.0%	ICL8018AMXJD ICL8019AMXJD ICL8020AMXJD	ICL8018ACXPD ICL8019ACXPD ICL8020ACXPD

*NOTE: Units ordered in equal quantities will be matched such that the V_{BE} 's of the 8019 will be within ± 10 mV of the 8018 compensating transistor, and the V_{BE} 's of the 8020 will be within ± 50 mV. The ICL8018-X matched sets consist of one 8018, one 8019, and one 8020. The 8019-X contains one 8019 and one 8020, while the 8020-X contains two 8020's. Units shipped as matched sets will be marked with a unique set number.

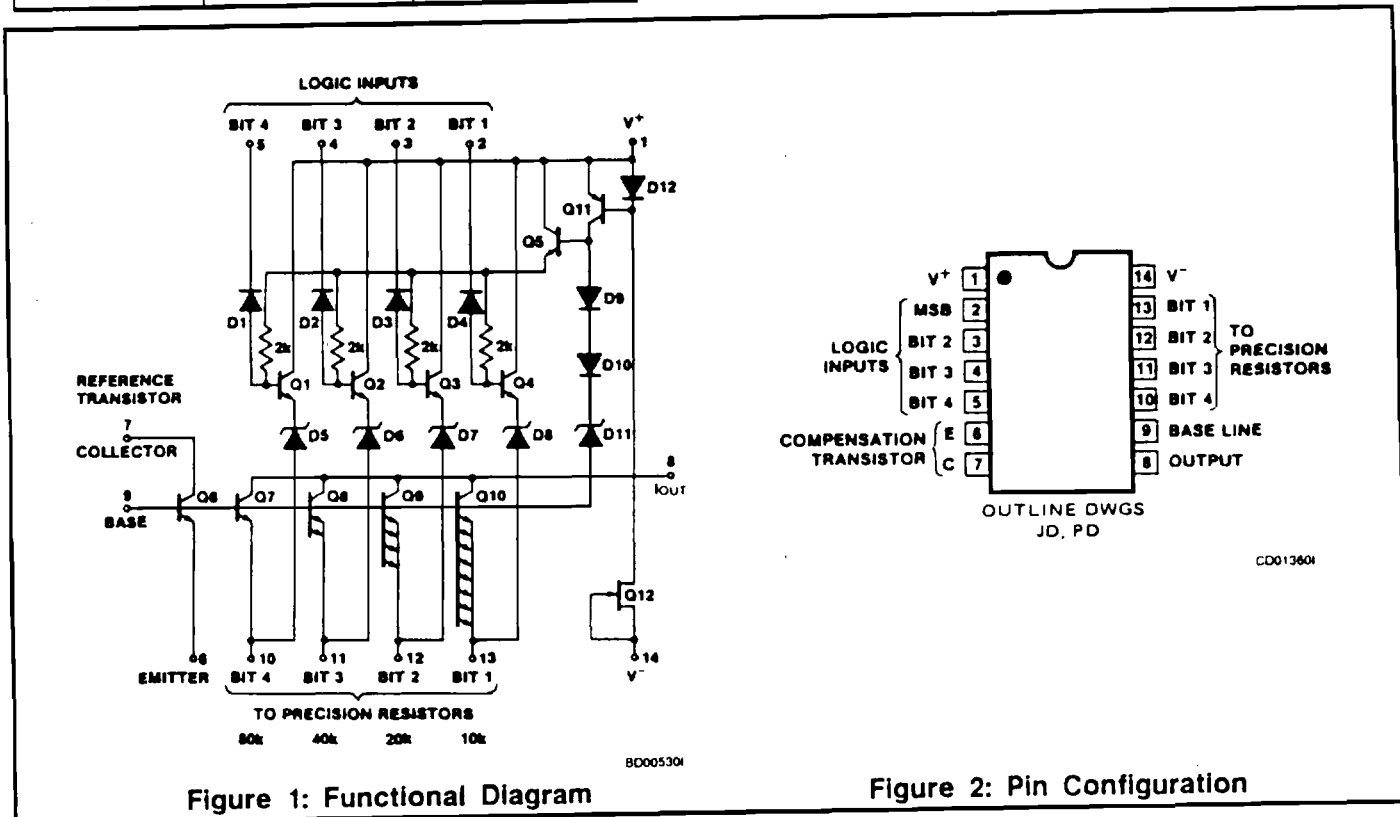


Figure 1: Functional Diagram

Figure 2: Pin Configuration





ICL8018A/8019A/8020A

ABSOLUTE MAXIMUM RATINGS

Supply Voltage.....±20V
 Logic Input Voltage..... -2V to V⁺
 V_{BASELINE}..... V⁻ to +5V
 Output Voltage..... V_{BASELINE} to +20V
 Storage Temperature..... -65°C to +150°C

Operating Temperature ICL8018AM
 ICL8019/20AM..... -55°C to +125°C
 ICL8018/19/20AC..... 0°C to +70°C
 Lead Temperature (Soldering, 10sec)..... 300°C

Stresses above those listed under Absolute Maximum Ratings may cause permanent damage to the device. These are stress ratings only, and functional operation of the device at these or any other conditions above those indicated in the operational sections of the specifications is not implied. Exposure to absolute maximum rating conditions for extended periods may affect device reliability.

ELECTRICAL CHARACTERISTICS (4.5V ≤ V⁺ ≤ 20V, V⁻ = -15V, T_A = 25°C, Voltage @ pin 6 = -5V)

PARAMETER	TEST CONDITIONS	MIN	TYP	MAX	UNIT
Absolute Error ICL8018A ICL8019A ICL8020A	V _{INH} = 5.0V V _{INLO} = 0.0V			±0.1 ±0.1 ±1	%
Error Temperature Coefficient ICL8018A ICL8019A ICL8020A			±2 ±2 ±2	±5 ±25 ±50	ppm/°C
Settling Time To ±1/2 LSB, R _L = 1kΩ 8 BIT 12 BIT			100 200		ns
Switching Time To Turn On LSB			40		ns
Output Current (Nominal) BIT 1 (MSB) BIT 2 BIT 3 BIT 4 (LSB)			1.0 0.5 0.25 0.125		mA
Zero Output Current	V _{IN} = 5.0V		10	50	nA
Output Voltage Range		V _{BASELINE} + 1V		+ 10	V
Input Coding-Complementary Binary (See Truth Table) Logic Input Voltage "0" (Switch ON) "1" (Switch OFF)	ΔI _{OUT} < 400nA	2.0		0.8	V
Logic Input Current "0" "1" (into device)	V _{IN} = 0V V _{IN} = 5V		-1.0 0.01	-2 0.1	mA μA
Power Supply Rejection V ⁺ V ⁻			.005 .0005		%/V
Supply Voltage Range		4.5 -10	5 -15	20 -20	V
Supply Current (V _{Supp} = ±20V) I ⁺ I ⁻			7 1	10 3	mA

BASIC D/A THEORY

The majority of digital to analog converters contain the elements shown in Figure 3. The heart of the D/A converter is the logic controlled switching network, whose output is an analog current or voltage proportional to the digital number on the logic inputs. The magnitude of the analog output is determined by the reference supply and the array of precision resistors, see Figure 4. If the switching network has a current output, often a transconductance amplifier is used to provide a voltage output.

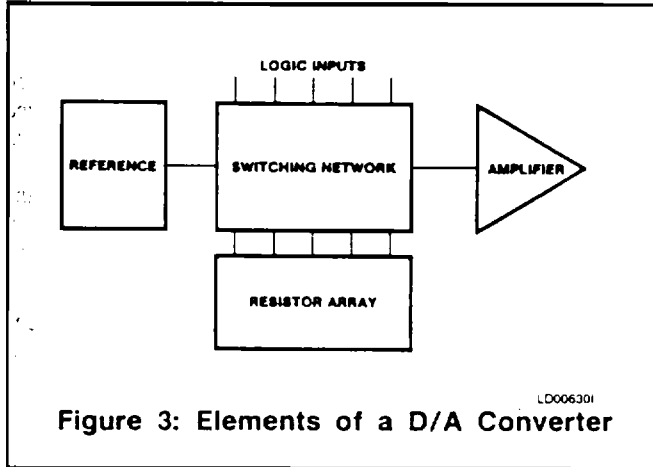


Figure 3: Elements of a D/A Converter

DEFINITION OF TERMS

The **resolution** of a D/A converter refers to the number of logic inputs used to control the analog output. For example, a D/A converter using two quad current sources would be an 8 bit converter. If three quads were used, a 12 bit converter would be formed. Resolution is often stated in terms of one part in, e.g., 256 since the number of controlling bits is related to total number of identifiable levels by the power of 2. The four bit quad has sixteen different levels (see Table 1) each output corresponding to a particular logic input word.

Table 1: ICL8018/19/20 Truth Table

LOGIC INPUT	NOMINAL OUTPUT CURRENT (mA)
0 0 0 0	1.875
0 0 0 1	1.750
0 0 1 0	1.625
0 0 1 1	1.500
0 1 0 0	1.375
0 1 0 1	1.250
0 1 1 0	1.125
0 1 1 1	1.000
1 0 0 0	0.825
1 0 0 1	0.750
1 0 1 0	0.625
1 0 1 1	0.500
1 1 0 0	0.375
1 1 0 1	0.250
1 1 1 0	0.125
1 1 1 1	0.000

Note that **maximum output** of the quad switch is $1 + 1/2 + 1/4 + 1/8 = 1.7/8 = 1.875$ mA. If this series of bits were continued as $1/16 + 1/32 + 1/64 \dots \dots 1/2^{(n-1)}$, the maximum output limit would approach 2.0 mA. This

limiting value is called **full scale output**. The maximum output is always less than the full scale output by one least significant bit, LSB. For a twelve bit system (resolution 1 part in 4096) with a full scale output of 10.0 volts the maximum output would be $4095/4096 \times 10V$. Since the numbers are extremely close for high resolution systems, the terms are often used interchangeably.

The **accuracy** of a D/A converter is generally taken to mean the largest error of any output level from its nominal value. The accuracy or **absolute error** is often expressed as a **percentage of the full scale output**.

Linearity relates the maximum error in terms of the deviation from the best straight line drawn through all the possible output levels. Linearity is related to accuracy by the scale factor and output offset. If the scale factor is exactly the nominal value and offset is adjusted to zero, then accuracy and linearity are identical. Linearity is usually specified as being within $\pm 1/2$ LSB of the best straight line.

Another desirable property of D/A converter is that it be **monotonic**. This simply implies that each successive output level is greater than the preceding one. A possible worst case condition would be when the output changes from most significant bit (MSB) OFF, all other bits ON to the next level which has the MSB ON and all other bits OFF, e.g., 10000 to 01111.

In applications where a quad current switch drives a transconductance amplifier (current to voltage converter), transient response is almost exclusively determined by the output amplifier itself. Where the quad output current drives a resistor to ground, switching time and settling time are useful parameters.

Switching time is the familiar 10% to 90% rise time type of measurement. Low capacitance scope probes must be used to avoid masking the high speeds that current source switching affords. The **settling time** is the elapsed time between the application of a fast input pulse and the time at which the output voltage has settled to or approached its final value within a specified limit of accuracy. This limit of accuracy should be commensurate with the resolution of the DAC to be used.

Typically, the settling time specification describes how soon after an input pulse the output can be relied upon as accurate to within $\pm 1/2$ LSB of an N bit converter. Since the 8018A family has been designed with all the collectors of the current switching transistors tied together, the output capacitance is constant. The transient response is, therefore, a simple exponential relationship, and from this the settling time can be calculated and related to the measured rise time as shown in Table 2.

Table 2: Settling Time vs. Rise Time Resistor Load

BITS OF RESOLUTION	$\pm 1/2$ LSB ERROR % FULL SCALE	NUMBER OF TIME CONSTANTS	NUMBER OF RISE TIMES
8	.2%	6.2	2.8
10	.05%	7.6	3.4
12	.01%	9.2	4.2

Rise Time (10% - 90%) = $2.2 R_L C_{eff}$

ICL8018A/8019A/8020A

DETAILED DESCRIPTION

An example of a practical circuit for the ICL8018A quad current switch is shown in Figure 4. The circuit can be analyzed in two sections; the first generates very accurate currents and the second causes these currents to be switched according to input logic signals. A reference current of $125\mu\text{A}$ is generated by a stable reference supply and a precision resistor. An op-amp with low offset voltage and low input bias current, such as the ICL8008, is used in conjunction with the internal reference transistor, Q_6 , to force the voltage on the common base line, so that the collector current of Q_6 is equal to the reference current. The emitter current of Q_6 will be the sum of the reference current and a small base current causing a drop of slightly greater than 10 volts across the $80\text{k}\Omega$ resistor in the emitter of Q_6 . Since this resistor is connected to -15V , this puts the emitter of Q_6 at nearly -5V and the common base line at one V_{BE} more positive at -4.35V typically.

Also connected to the common base line are the switched current source transistors Q_7 through Q_{10} . The emitters of these transistors are also connected through weighted precision resistors to -15V and their collector currents summed at pin 8. Since all these transistors, Q_6 through Q_{10} , are designed to have equal emitter-base voltages, it follows that all the emitter resistors will have equal voltage drops across them. It is this constant voltage

and the precision resistors at the emitter that determine the exact value of switched output current. The emitter resistor of Q_7 is equal to that of Q_6 , therefore, Q_7 's collector current will be I_{REF} or $125\mu\text{A}$. Q_8 has $40\text{k}\Omega$ in the emitter so that its collector current will be twice I_{REF} or $250\mu\text{A}$. In the same way, the $20\text{k}\Omega$ and $10\text{k}\Omega$ in the emitters of Q_9 and Q_{10} contribute 0.5mA and 1mA to the total collector current.

The reference transistor and four current switching transistors are designed for equal emitter current density by making the number of emitters proportional to the current switched.

The remaining circuitry provides switching signals from the logic inputs. In the switch ON mode, zener diodes D_5 through D_8 , connected to the emitter of each current switch transistor Q_7 thru Q_{10} , are reverse biased allowing the transistors to operate, producing precision currents summed in the collectors. The transistors are turned off by raising the voltage on the zeners high enough to turn on the zeners and raise the emitters of the switching transistor. This reverse biases the emitter base diode thereby shutting off that transistor's collector current.

The analog output current can be used to drive one load directly, ($1\text{k}\Omega$ to ground for $FS = 1.875\text{V}$ for example) or can be used to drive a transconductance amplifier to give larger output voltages.

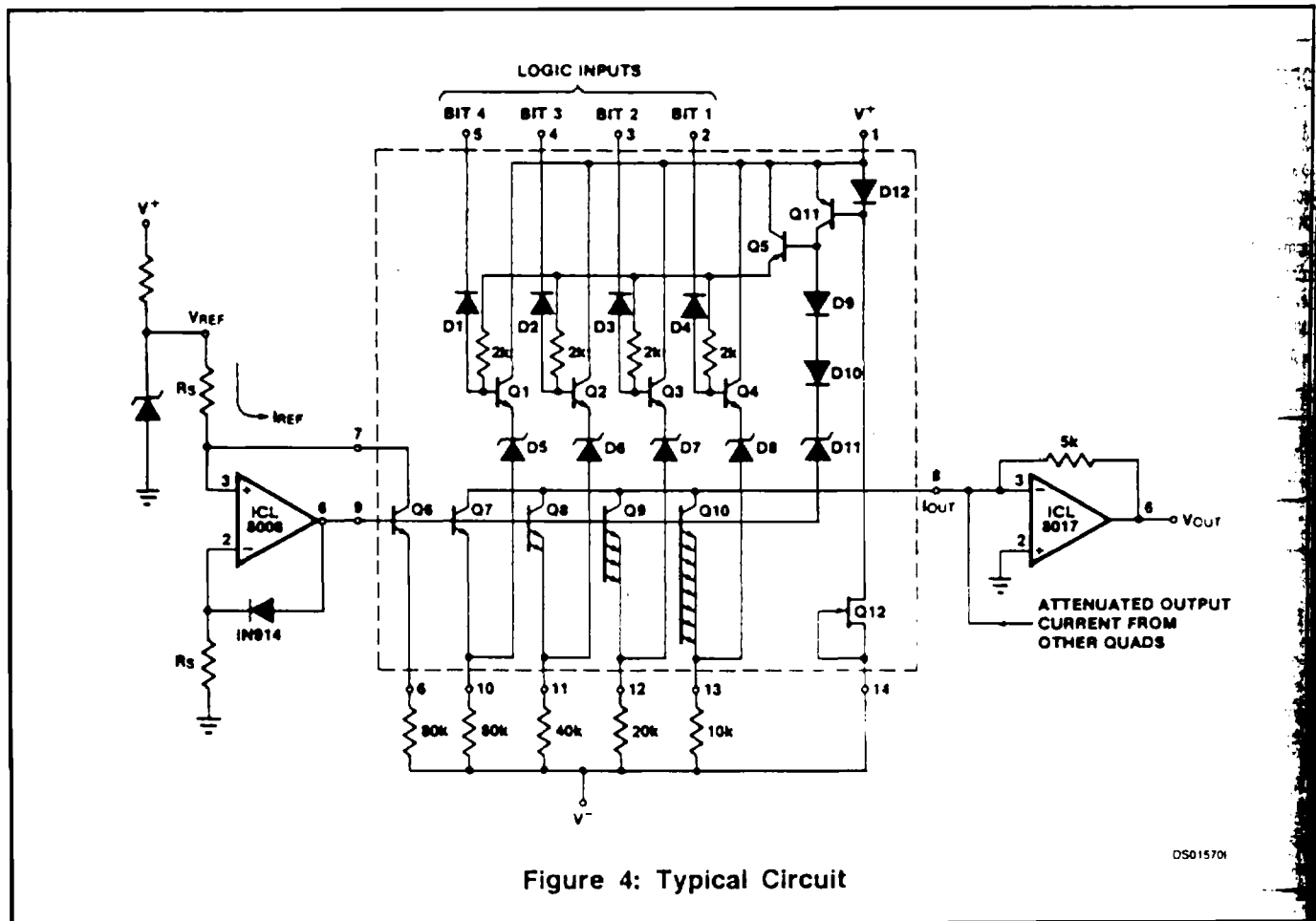
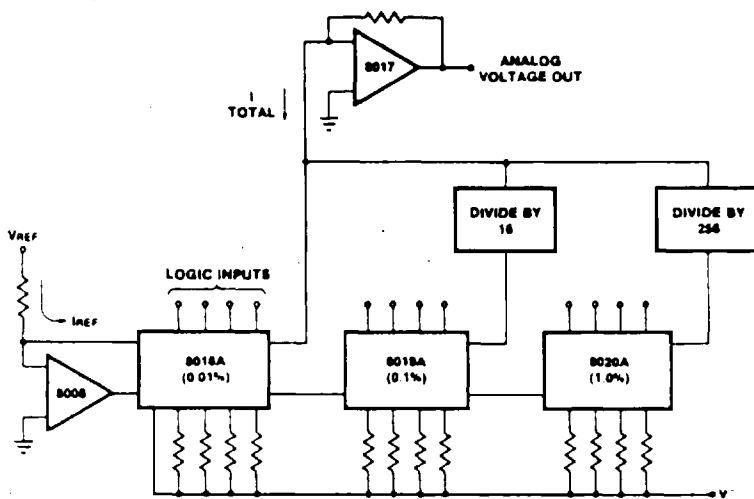


Figure 4: Typical Circuit

DS015701



TC023701

Figure 5: Expanding the Quad Switch

EXPANDING THE QUAD SWITCH

While there are few requirements for only 4 bit D to A converters, the 8018A is readily expanded to 8 and 12 bits with the addition of other quads and resistor dividers as shown in Figure 5.

To maintain the progression of binary weighted bit currents, the current output of the first quad drives the input of the transconductance amplifier directly, while a resistor divider network divides the output current of the second quad by 16 and the output current of the third by 256.

$$\begin{aligned}
 \text{e.g., } I_{\text{Total}} &= 1 \times (1 + 1/2 + 1/4 + 1/8) + 1/16(1 + 1/2 + 1/4 + 1/8) \\
 &+ 1/256(1 + 1/2 + 1/4 + 1/8) \\
 &= 1 + 1/2 + 1/4 + 1/8 + 1/16 + 1/32 + 1/64 + 1/128 \\
 &+ 1/256 + 1/512 + 1/1024 + 1/2048.
 \end{aligned}$$

Note that each current switch is operating at the same high speed current levels so that standard 10k, 20k, 40k and 80kΩ resistor networks can be used. Another advantage of this technique is that since the current outputs of the second and third quad are attenuated, so are the errors they contribute. This allows the use of less accurate switches and resistor networks in these positions; hence, the three accuracy grades of .01%, 0.1%, and 1% for the 8018A, 8019A and 8020A, respectively. It should be noted that only the reference transistor on the most significant quad is required to set up the voltage on the common base line joining the three sets of switching transistors (Pin 9).

GENERATING REFERENCE CURRENTS — ZENER REFERENCE

As mentioned above, the 8018A switches currents determined by a constant voltage across the external precision resistors in the emitter of each switch. There are several ways of generating this constant voltage. One of the simplest is shown in Figure 6. Here an external zener diode is driven by the same current source line used to bias internal Zener D₁₁.

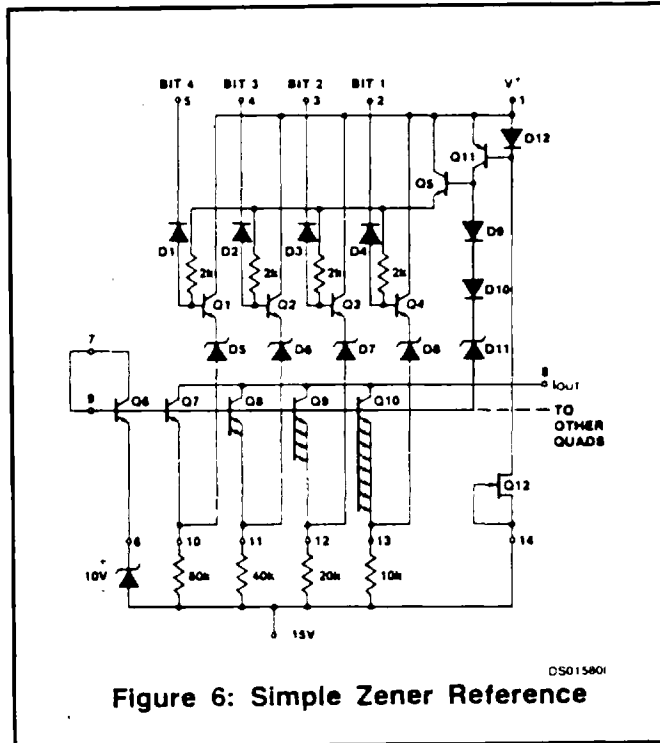


Figure 6: Simple Zener Reference

The zener current will be typically 1 mA per quad. The compensation transistor Q₆ is connected as a diode in series with the external zener. The V_{BE} of this transistor will approximately match the V_{BE}'s of the current switching transistors, thereby forcing the external zener voltage across each of the external resistors. The temperature coefficient of the external zener will dominate the temperature dependence of this scheme, however using a temperature compensated zener minimizes this problem. Since Q₆ is operating at a higher current density than the other switching transistors, the temperature matching of V_{BE}'s is not optimum, but should be adequate for a simple 8 or 10 bit converter.

6

