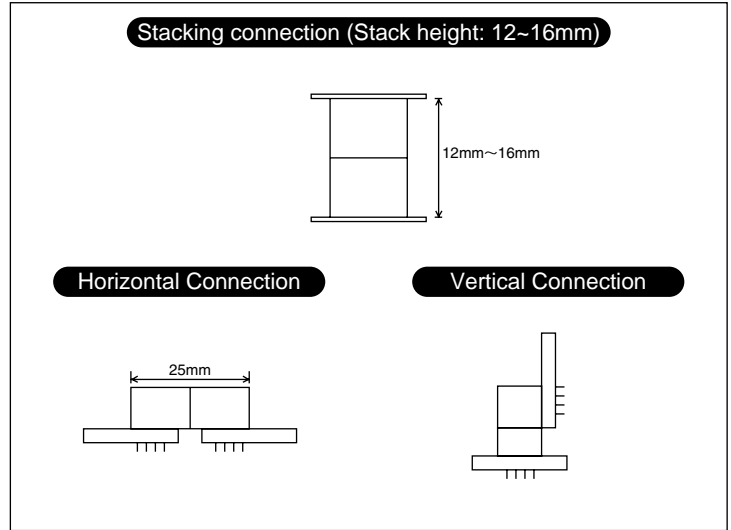
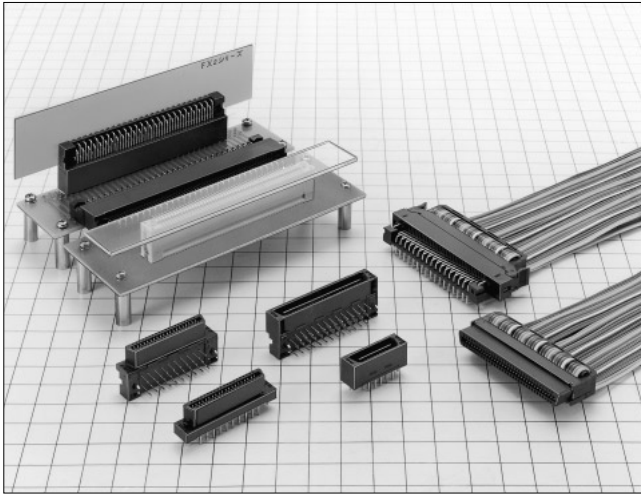


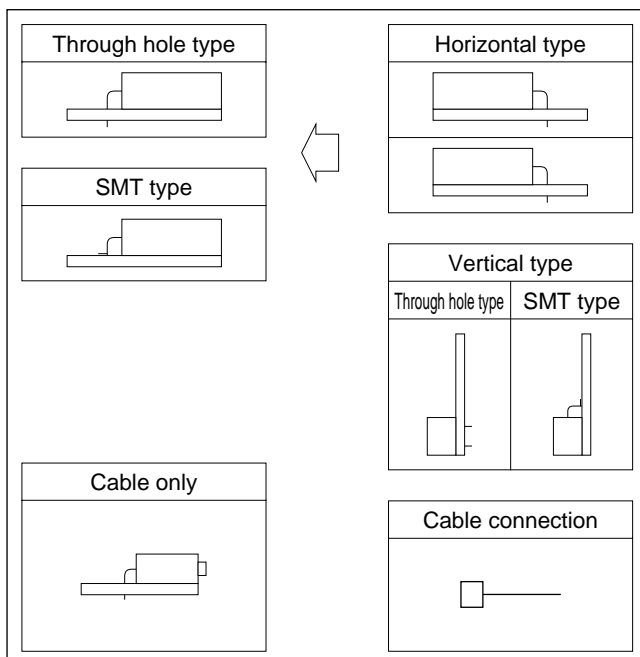
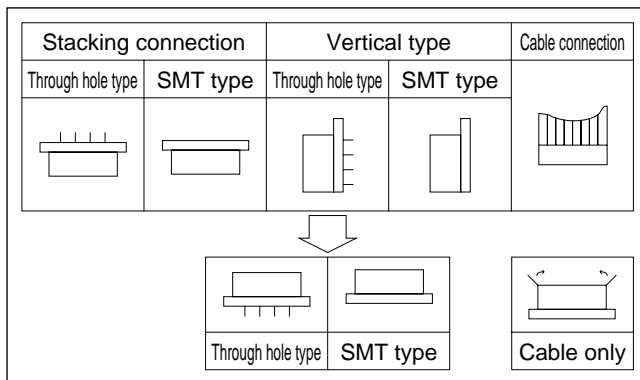
1.27mm Pitch Multi-function Two Piece Connector

FX2 Series



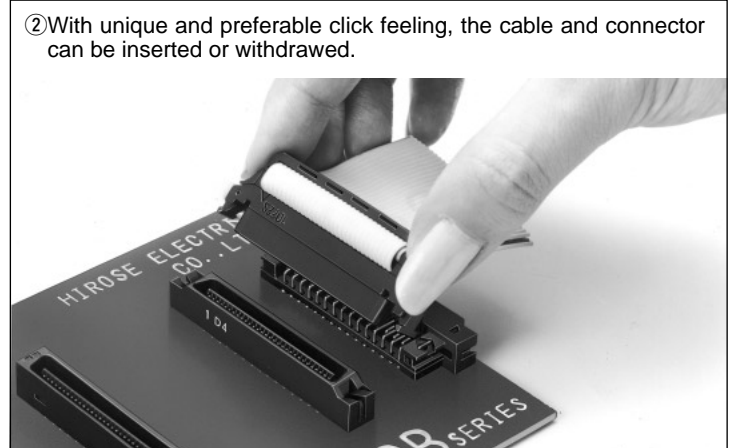
■ Features

1. Various connection with various product line



2. Easy One-Touch Operation

The ribbon cable connection type allows easy one-touch operation with either single hand.



(For insertion, the operation proceeds from procedure (2) to (1).)

3. Board to board type

① Flux swell prevention

The straight through hole type takes the complete flux tight action from the board back side at solder dipping. The type is prepared, corresponding to whether or not cleaning is required.

② Stack height 12mm to 16mm

The board stack height can be set to every 1 mm unit up to 12 to 16mm.

③ Mis-insertion preventive mechanism

The mating area is designed in a mechanism so as to prevent mis-insertion, and complete countermeasures have been taken against wrenching.

4. Board to cable type

① Complete lock with easy operation

Employing the inner lock system, complete lock and eject actions can be performed with easy operation.

② Applicable cable

The applicable cable is the <UL2651>AWG#28 flat cable (7/0.127mm), and the jacket size is 0.9±0.1mm.

5. SMT type

Strength security with metaltab

The right angle type is equipped with metaltab to secure soldering strength, and constructed so as to fix by screws. The straight type can choose whether or not metaltab are required.

■Applications

Computers, peripheral equipments, various machines etc.

■Product Specifications

| | | | |
|--------|------------------------|---|---|
| Rating | Current rating 0.5A | Operating Temperature Range -55°C to +85°C (Note 1) | Storage Temperature Range -10°C to +60°C (Note 2) |
| | Voltage rating 125V AC | Operating Humidity Range 40 to 80% | Storage Humidity Range 40 to 70% (Note 2) |

| Item | Specification | Condition |
|----------------------------------|--|---|
| 1. Insulation Resistance | 1000M ohms min | 250V DC |
| 2. Withstanding Voltage | No flashover or insulation breakdown. | 300V AC/1 minute |
| 3. Contact Resistance | 45m ohms max. | 100mA |
| 4. Vibration | No electrical discontinuity of 1μs or more | Frequency: 10 to 55 Hz, single amplitude of 0.75 mm, 2 hours in each of the 3 directions. |
| 5. Humidity (Steady state) | Contact resistance: 55m ohms max. Insulation resistance: 100M ohms min. | 96 hours at temperature of 40°C and humidity of 90% to 95% |
| 6. Temperature Cycle | Contact resistance: 55m ohms max. Insulation resistance: 100M ohms min. No damage, cracks, or parts looseness. | (-55°C: 30 minutes → 15 to 35°C: 2 to 3 minutes → 85°C: 30 minutes → 15 to 35°C: 2 to 3 minutes) 5 cycles |
| 7. Durability (Mating/un-mating) | Contact resistance: 55 m ohms max. | 500 cycles |
| 8. Resistance to soldering heat | No deformation of components affecting performance. | Reflow: At the recommended temperature profile Manual soldering: 260°C for 10 seconds |

Note 1: Includes temperature rise caused by current flow.

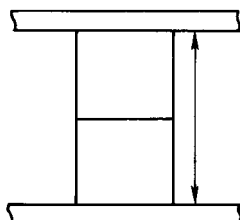
Note 2: The term "storage" refers to products stored for long period of time prior to mounting and use. Operating Temperature Range and Humidity range covers non conducting condition of installed connectors in storage, shipment or during transportation.

■Material

| Parts | | Material | Finish | Remark |
|-----------|------------|--------------------------|-----------------------|---------|
| Insulator | Dip type | Polyamid | Black | UL94V-0 |
| | Socket | PBT/Polyamid | | |
| | SMT type | PPS | Light brown | |
| Contact | Receptacle | Phosphor bronze | Selective gold plated | _____ |
| | Socket | | | |
| | Header | Phosphor bronze or brass | | |

■Stacking Variation

Unit:mm



| Header | | Receptacle | | Dip type | | SMT type |
|----------|----------------------|--------------------|---------------------|---------------------|----------------------|------------------|
| | | FX2C-*S-1.27DSA(L) | FX2CA-*S-1.27DSA(L) | FX2C2-*S-1.27DSA(L) | FX2CA2-*S-1.27DSA(L) | FX2-*S-1.27SV(L) |
| Dip type | FX2C-*P-1.27DSA(L) | 12 | 14.0 | 12.2 | | |
| | FX2CA-*P-1.27DSA(L) | | | | | |
| | FX2CA1-*P-1.27DSA(L) | | | | | |
| | FX2CA2-*P-1.27DSA(L) | | | | | |
| SMT type | FX2-*P-1.27SV(L) | 12.1 | 14.1 | 12.3 | | |

■ Ordering Information

● Board to Board Receptacle

FX2 CA 2 - * S - 1.27 DSA L
 ① ② ③ ④ ⑤ ⑥ ⑦ ⑧

| | |
|--|--|
| ① Series Name :FX2 | ④ Number of contacts: 20, 32, 40, 52, 60, 68, 80, 100, 120 |
| ② Blank: Right angle type C : Straight non-cleaning type CA : Straight cleaning type | ⑤ Connector type: S: Receptacle |
| ③ Product height variation (DSA only) Blank : Standard product 2 : +2mm | ⑥ Contact pitch: 1.27mm |
| | ⑦ Contact type DS : Right angle type DSA : Straight type |
| | ⑧ L: Board prefixed pin |

● Board to Board Header

FX2 CA 1 - * P - 1.27 DSA L
 ① ② ③ ④ ⑤ ⑥ ⑦ ⑧

| | |
|--|---|
| ① Series Name :FX2 | ④ Number of contacts: 20, 32, 40, 52, 60, 68, 80, 100, 120 |
| ② None : Right angle type C : Straight non-cleaning type CA : Straight cleaning type | ⑤ Connector type: P: header |
| ③ Product height variation (DSA only) Blank : Standard product 1 : +1mm 2 : +2mm | ⑥ Contact pitch: 1.27mm |
| | ⑦ Contact type: DS : Right angle type DSA : Straight type |
| | ⑧ L: Board prefixed pin |

Note 1. C and CA take complete countermeasures against flux.

Note 2. Cleaning type: the liquid escape hole is added at dip cleaning.

Note 3. No-cleaning type: no liquid escape hole is added at dip cleaning.

● Board to Cable Socket

FX2 BA - * S A - 1.27 R
 ① ② ③ ④ ⑤ ⑥ ⑦

| | |
|---|--|
| ① Series Name : FX2 | ④ S: Socket |
| ② B : Lock cable type BA : No lock cable type | ⑤ A: Contact material: phosphor bronze |
| ③ Number of contacts: 20, 32, 40, 52, 60, 68, 80, 100 | ⑥ Contact pitch: 1.27mm |
| | ⑦ R: Insulation displacement |

●Board to Cable Header

FX2 BA - * P A - 1.27 DSA L
 ① ② ③ ④ ⑤ ⑥ ⑦ ⑧

| | |
|---|---|
| ① Series Name : FX2 | ⑤ None : Contact material: phosphor bronze A : Contact material: brass |
| ② B : Lock straight no cleaning type : Lock right angle type BA : Lock straight cleaning type | ⑥ Contact pitch: 1.27mm |
| ③ Number of contacts: 20, 32, 40, 52, 60, 68, 80, 100 | ⑦ Contact type: DS : Right angle type DSA : Straight type |
| ④ Connector type: P: header | ⑧ L: Board prefixed pin |

Note 1. Cleaning type: The liquid escape hole is added at dip cleaning.

Note 2. No cleaning type: No liquid escape hole is added at dip cleaning.

Note 3. Straight 20 and 32 contact types use phosphor bronze for contact material.

●Straight SMT Type

FX2 - * P - 1.27 SV L
 ① ② ③ ④ ⑤ ⑥

| | |
|--|--|
| ① Series Name :FX2 | ④ Contact pitch: 1.27mm |
| ② Number of contacts: 20, 32, 40, 52, 60, 68, 80, 100, 120 | ⑤ Contact type: SV: Straight SMT type |
| ③ Connector type: P: Header S: Receptacle | ⑥ L: Board prefixed pin |

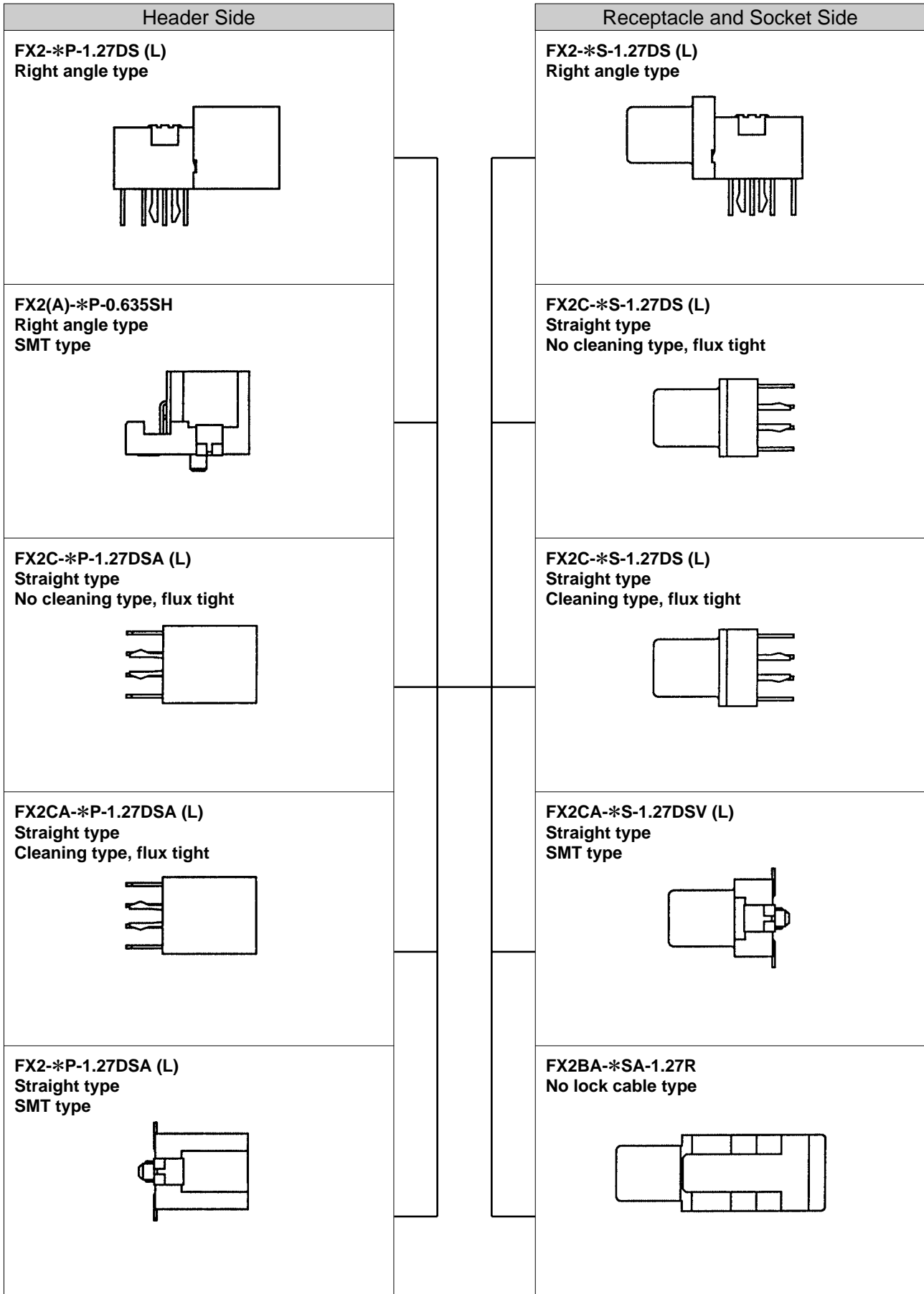
●Header Right Angle SMT Type

FX2 A - * P - 0.635 SH
 ① ② ③ ④ ⑤ ⑥

| | |
|--|--|
| ① Series Name :FX2 | ④ Connector type: P: Header |
| ② Blank: With boss A : Without boss | ⑤ Mounting area pitch: 0.635mm |
| ③ Number of contacts: 20, 40, 52, 60, 80 | ⑥ Contact type SH: Right angle SMT type |

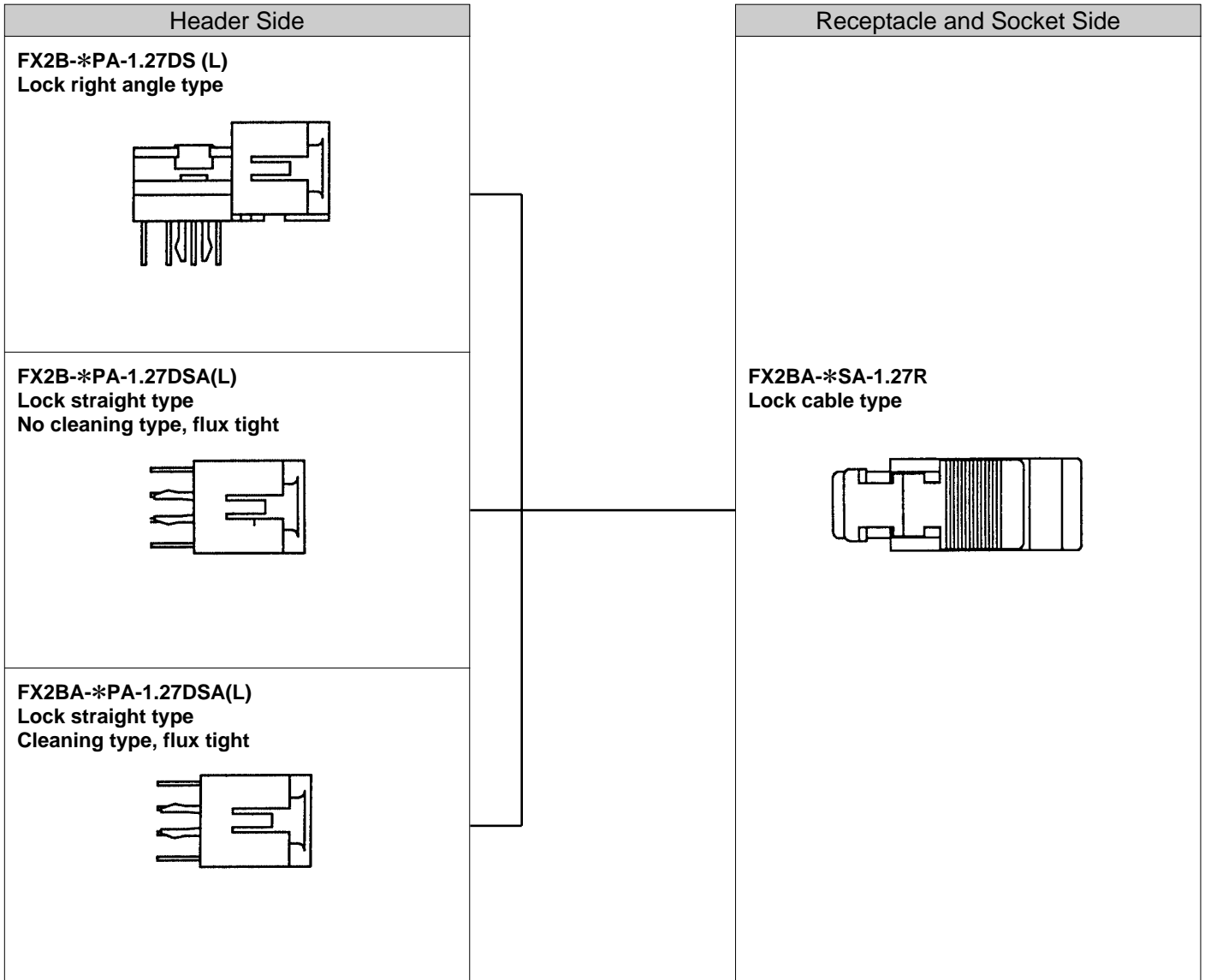
◆FX2 Functional Flow Chart

Board to Board Cable Type

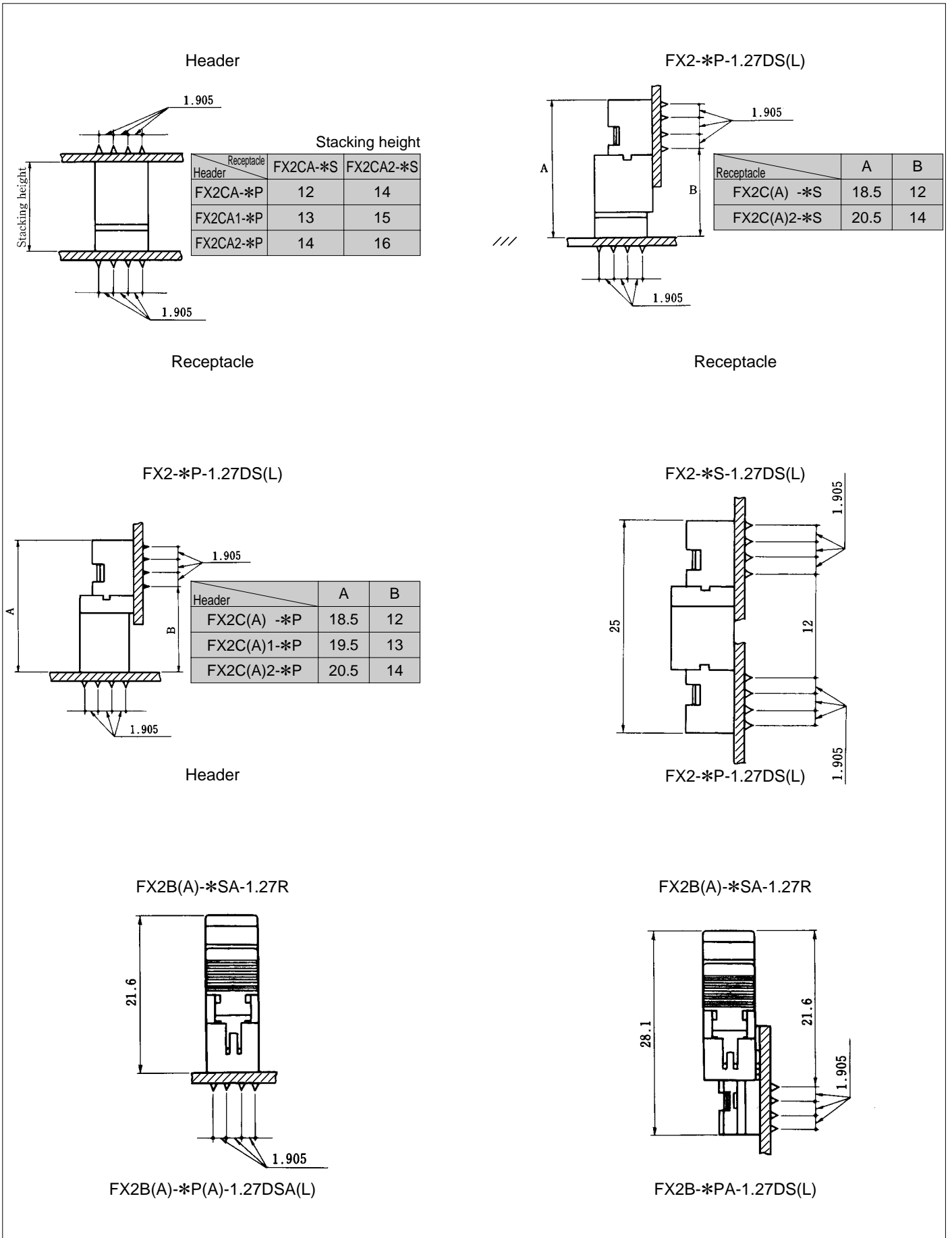


◆FX2 Functional Flow Chart

Board to Board Cable Type

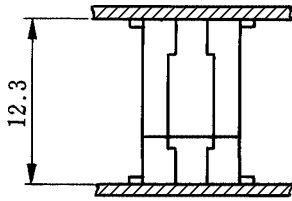


◆ Through hole Type Application Pattern



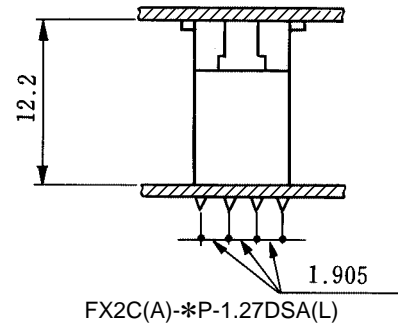
◆ SMT Type Application Pattern

FX2-*P-1.27SV(L)



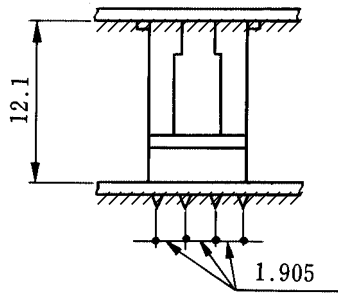
FX2-*S-1.27SV(L)

FX2-*S-1.27SV(L)



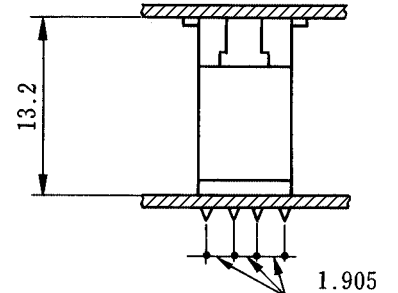
FX2C(A)-*P-1.27DSA(L)

FX2-*P-1.27SV(L)



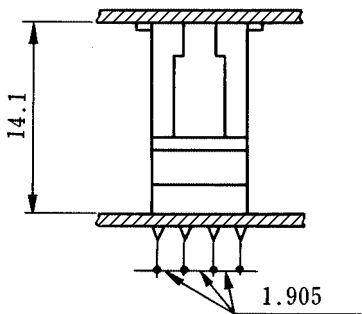
FX2C(A)-*S-1.27-DSA(L)

FX2-*S-1.27SV(L)



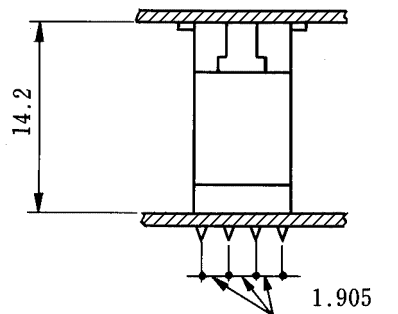
FX2C(A)1-*P-1.27DSA(L)

FX2-*P-1.27SV(L)



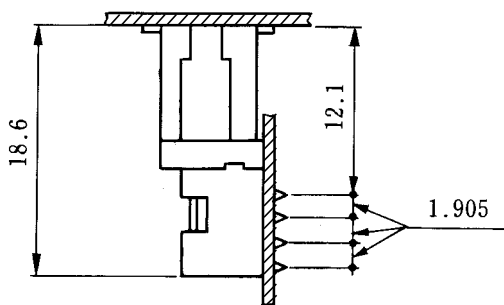
FX2C(A)2-*S-1.27DSA(L)

FX2-*S-1.27SV(L)



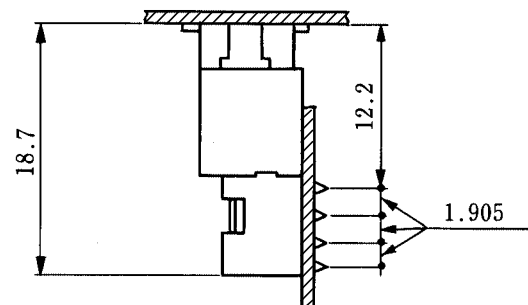
FX2C(A)2-*P-1.27DSA(L)

FX2-*P-1.27SV(L)



FX2-*S-1.27DS(L)

FX2-*S-1.27SV(L)

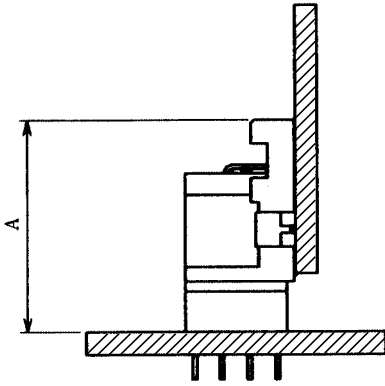


FX2-*P-1.27DS(L)

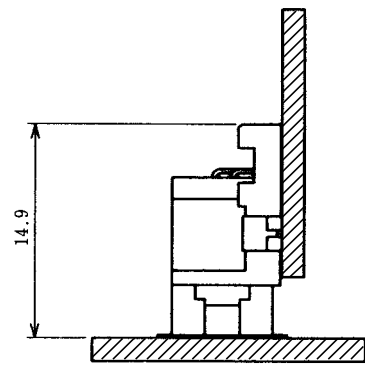
◆ SMT Type Application Pattern

FX2(A)-*P-0.635SH

| Receptacle | A |
|------------|------|
| FX2C(A)2 | 14.7 |
| FX2C(A)2 | 16.7 |



FX2(A)-*P-0.635SH

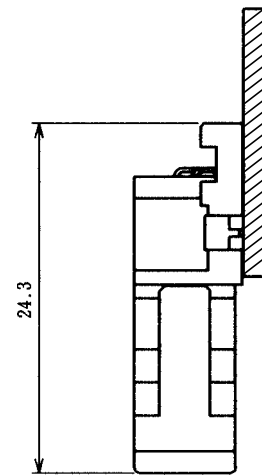
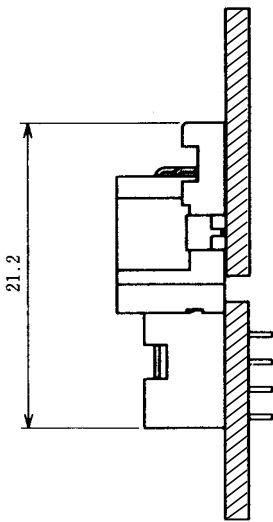


FX2C(A*2)-*S-1.27DSA(L)

FX2-*S-1.27SV(L)

FX2(A)-*P-0.635SH

FX2(A)-*P-0.635SH

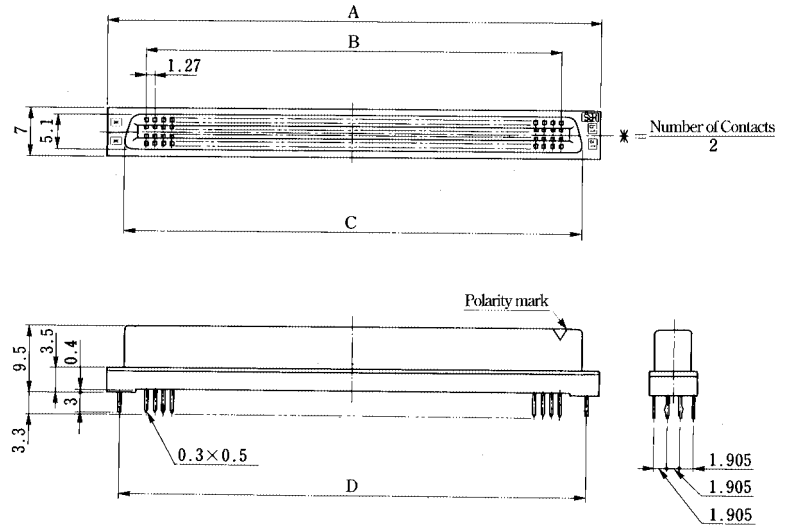
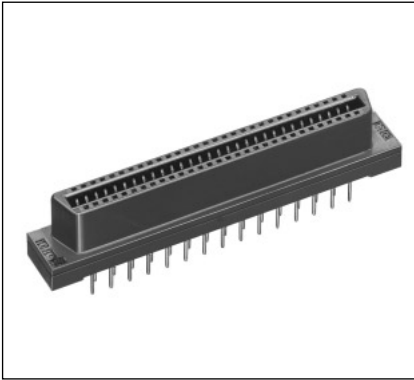


FX2-*S-1.27DS(L)

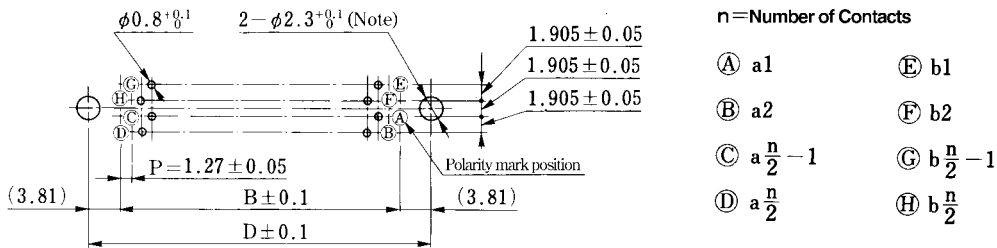
FX2BA-*SA-1.27R

■Receptacle No Cleaning Type

●Straight Type



◆PCB mounting pattern



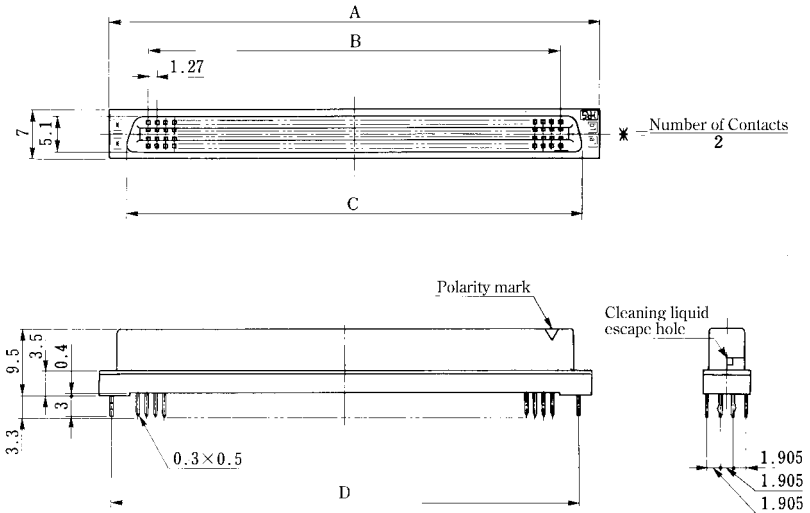
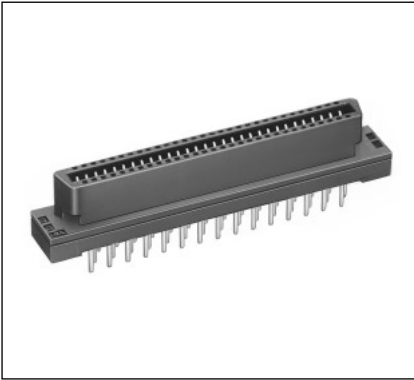
Note: Not required, if no prefixed pin is attached.

Unit:mm

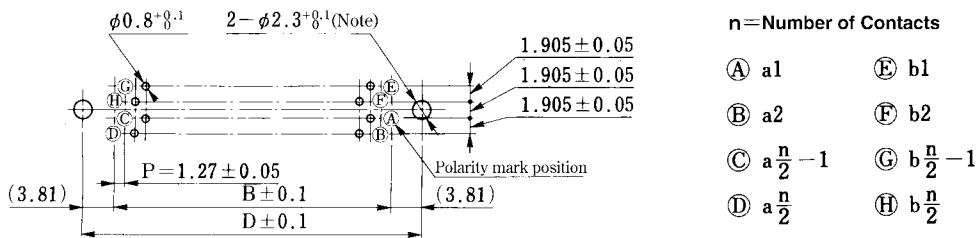
| Part Number | CL No. | Number of Contacts | A | B | C | D |
|--------------------|------------|--------------------|-------|-------|-------|-------|
| FX2C- 20S-1.27DSA | 572-2401-7 | 20 | 22.75 | 11.43 | 17.63 | _____ |
| FX2C- 20S-1.27DSAL | 572-2451-5 | | | | | 19.05 |
| FX2C- 32S-1.27DSA | 572-2402-0 | 32 | 30.37 | 19.05 | 25.25 | _____ |
| FX2C- 32S-1.27DSAL | 572-2452-8 | | | | | 26.67 |
| FX2C- 40S-1.27DSA | 572-2403-2 | 40 | 35.45 | 24.13 | 30.33 | _____ |
| FX2C- 40S-1.27DSAL | 572-2453-0 | | | | | 31.75 |
| FX2C- 52S-1.27DSA | 572-2404-5 | 52 | 43.07 | 31.75 | 37.95 | _____ |
| FX2C- 52S-1.27DSAL | 572-2454-3 | | | | | 39.37 |
| FX2C- 60S-1.27DSA | 572-2405-8 | 60 | 48.15 | 36.83 | 43.03 | _____ |
| FX2C- 60S-1.27DSAL | 572-2455-6 | | | | | 44.45 |
| FX2C- 68S-1.27DSA | 572-2406-0 | 68 | 53.23 | 41.91 | 48.11 | _____ |
| FX2C- 68S-1.27DSAL | 572-2456-9 | | | | | 49.53 |
| FX2C- 80S-1.27DSA | 572-2407-3 | 80 | 60.85 | 49.53 | 55.73 | _____ |
| FX2C- 80S-1.27DSAL | 572-2457-1 | | | | | 57.15 |
| FX2C-100S-1.27DSA | 572-2408-6 | 100 | 73.55 | 62.23 | 68.43 | _____ |
| FX2C-100S-1.27DSAL | 572-2458-4 | | | | | 69.85 |
| FX2C-120S-1.27DSA | 572-2409-9 | 120 | 86.25 | 74.93 | 81.13 | _____ |
| FX2C-120S-1.27DSAL | 572-2459-7 | | | | | 82.55 |

■ Receptacle Cleaning Type

● Straight Type



◆ PCB mounting pattern



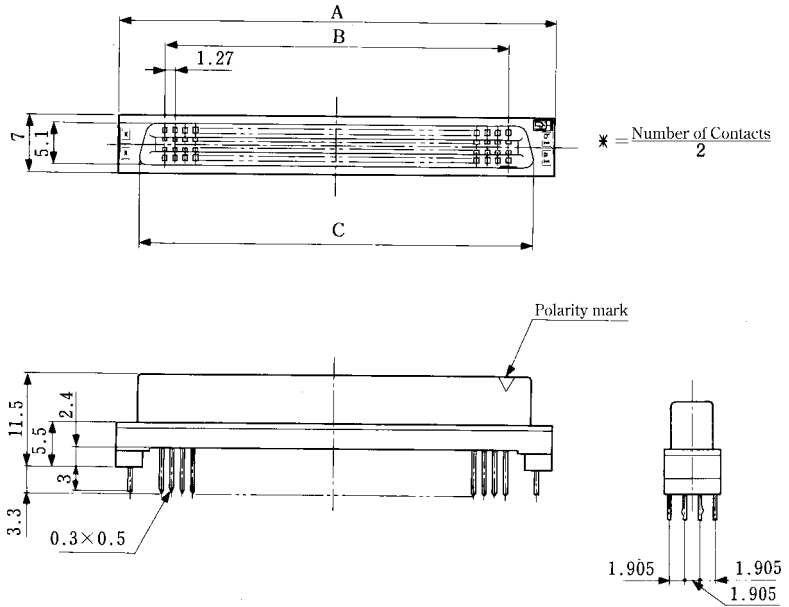
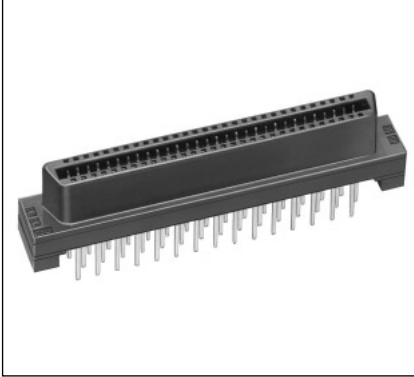
Note: Not required, if no prefixed pin is attached.

Unit:mm

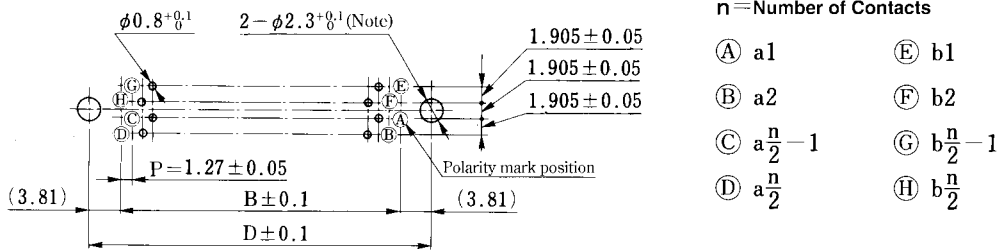
| Part Number | CL No. | Number of Contacts | A | B | C | D |
|---------------------|------------|--------------------|-------|-------|-------|-------|
| FX2CA- 20S-1.27DSA | 572-2501-1 | 20 | 22.75 | 11.43 | 17.63 | _____ |
| FX2CA- 20S-1.27DSAL | 572-2551-0 | | | | | 19.05 |
| FX2CA- 32S-1.27DSA | 572-2502-4 | 32 | 30.37 | 19.05 | 25.25 | _____ |
| FX2CA- 32S-1.27DSAL | 572-2552-2 | | | | | 26.67 |
| FX2CA- 40S-1.27DSA | 572-2503-7 | 40 | 35.45 | 24.13 | 30.33 | _____ |
| FX2CA- 40S-1.27DSAL | 572-2553-5 | | | | | 31.75 |
| FX2CA- 52S-1.27DSA | 572-2504-0 | 52 | 43.07 | 31.75 | 37.95 | _____ |
| FX2CA- 52S-1.27DSAL | 572-2554-8 | | | | | 39.37 |
| FX2CA- 60S-1.27DSA | 572-2505-2 | 60 | 48.15 | 36.83 | 43.03 | _____ |
| FX2CA- 60S-1.27DSAL | 572-2555-0 | | | | | 44.45 |
| FX2CA- 68S-1.27DSA | 572-2506-5 | 68 | 53.23 | 41.91 | 48.11 | _____ |
| FX2CA- 68S-1.27DSAL | 572-2556-3 | | | | | 49.53 |
| FX2CA- 80S-1.27DSA | 572-2507-8 | 80 | 60.85 | 49.53 | 55.73 | _____ |
| FX2CA- 80S-1.27DSAL | 572-2557-6 | | | | | 57.15 |
| FX2CA-100S-1.27DSA | 572-2508-0 | 100 | 73.55 | 62.23 | 68.43 | _____ |
| FX2CA-100S-1.27DSAL | 572-2558-9 | | | | | 69.85 |
| FX2CA-120S-1.27DSA | 572-2509-3 | 120 | 86.25 | 74.93 | 81.13 | _____ |
| FX2CA-120S-1.27DSAL | 572-2559-1 | | | | | 82.55 |

■Receptacle No Cleaning Type

●Straight Type



◆PCB mounting pattern



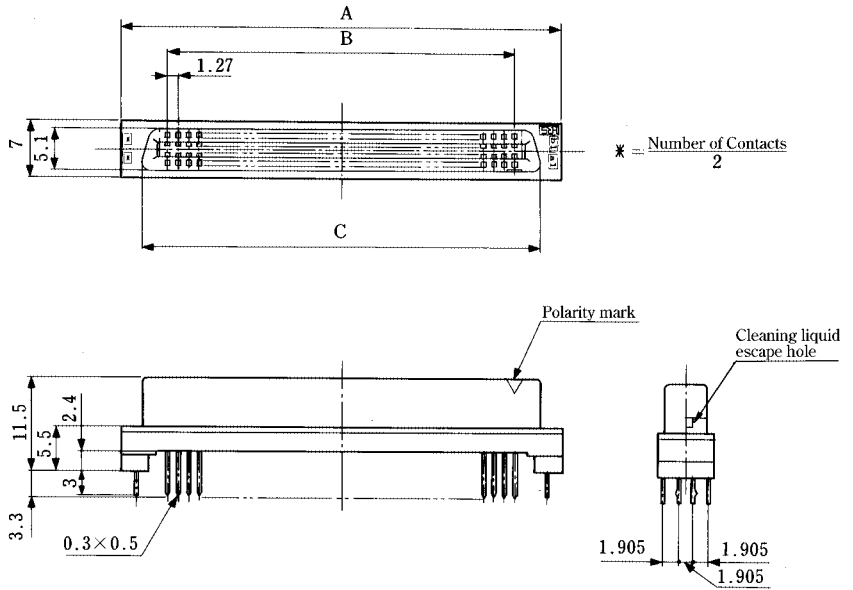
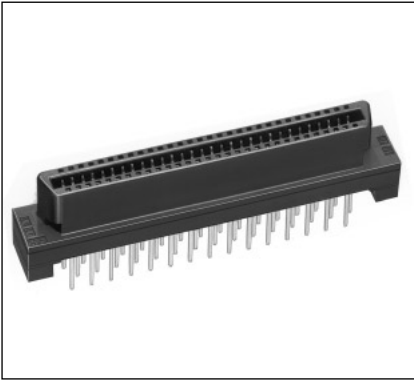
Note: Not required, if no prefixed pin is attached.

Unit:mm

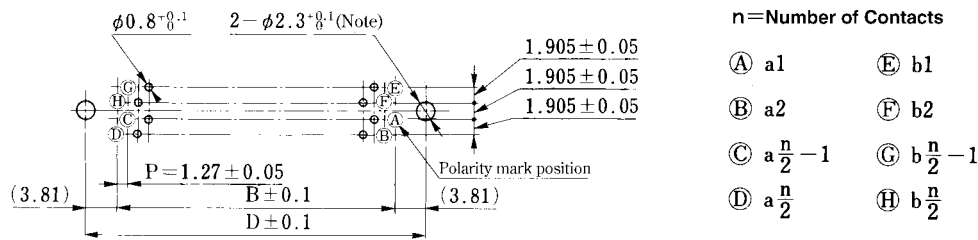
| Part Number | CL No. | Number of Contacts | A | B | C | D |
|---------------------|------------|--------------------|-------|-------|-------|-------|
| FX2C2- 20S-1.27DSA | 572-2421-4 | 20 | 22.75 | 11.43 | 17.63 | _____ |
| FX2C2- 20S-1.27DSAL | 572-2471-2 | | | | | 19.05 |
| FX2C2- 32S-1.27DSA | 572-2422-7 | 32 | 30.37 | 19.05 | 25.25 | _____ |
| FX2C2- 32S-1.27DSAL | 572-2472-5 | | | | | 26.67 |
| FX2C2- 40S-1.27DSA | 572-2423-0 | 40 | 35.45 | 24.13 | 30.33 | _____ |
| FX2C2- 40S-1.27DSAL | 572-2473-8 | | | | | 31.75 |
| FX2C2- 52S-1.27DSA | 572-2424-2 | 52 | 43.07 | 31.75 | 37.95 | _____ |
| FX2C2- 52S-1.27DSAL | 572-2474-0 | | | | | 39.37 |
| FX2C2- 60S-1.27DSA | 572-2425-5 | 60 | 48.15 | 36.83 | 43.03 | _____ |
| FX2C2- 60S-1.27DSAL | 572-2475-3 | | | | | 44.45 |
| FX2C2- 68S-1.27DSA | 572-2426-8 | 68 | 53.23 | 41.91 | 48.11 | _____ |
| FX2C2- 68S-1.27DSAL | 572-2476-6 | | | | | 49.53 |
| FX2C2- 80S-1.27DSA | 572-2427-0 | 80 | 60.85 | 49.53 | 55.73 | _____ |
| FX2C2- 80S-1.27DSAL | 572-2477-9 | | | | | 57.15 |
| FX2C2-100S-1.27DSA | 572-2428-3 | 100 | 73.55 | 62.23 | 68.43 | _____ |
| FX2C2-100S-1.27DSAL | 572-2478-1 | | | | | 69.85 |
| FX2C2-120S-1.27DSA | 572-2429-6 | 120 | 86.25 | 74.93 | 81.13 | _____ |
| FX2C2-120S-1.27DSAL | 572-2479-4 | | | | | 82.55 |

■ Receptacle Cleaning Type

● Straight Type



◆ PCB mounting pattern



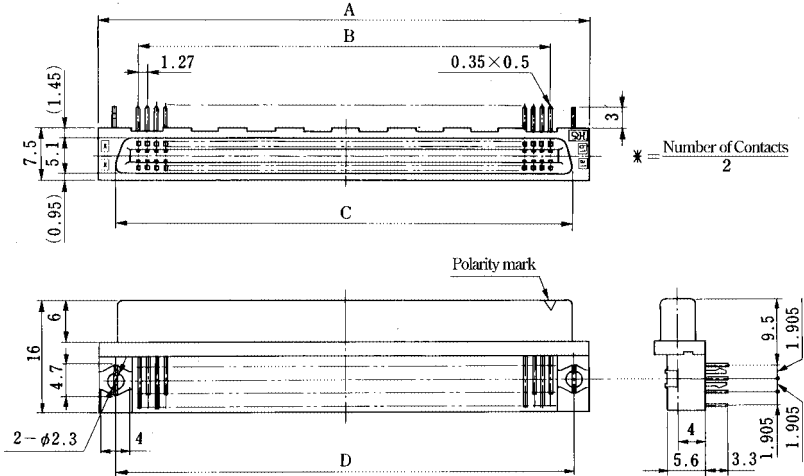
Note: Not required, if no prefixed pin is attached.

Unit:mm

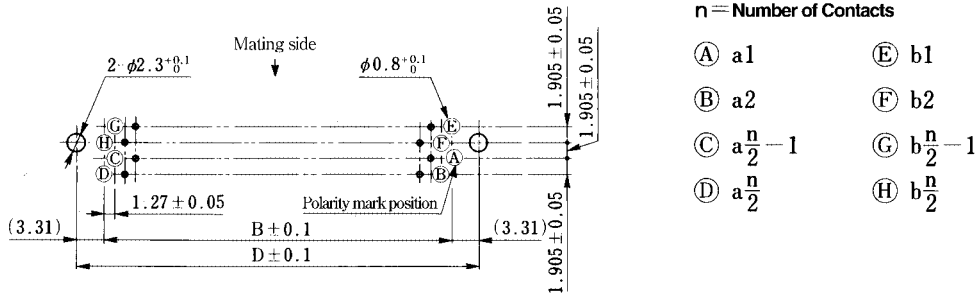
| Part Number | CL No. | Number of Contacts | A | B | C | D |
|----------------------|------------|--------------------|-------|-------|-------|-------|
| FX2CA2- 20S-1.27DSA | 572-2521-9 | 20 | 22.75 | 11.43 | 17.63 | _____ |
| FX2CA2- 20S-1.27DSAL | 572-2571-7 | | | | | 19.05 |
| FX2CA2- 32S-1.27DSA | 572-2522-1 | 32 | 30.37 | 19.05 | 25.25 | _____ |
| FX2CA2- 32S-1.27DSAL | 572-2572-0 | | | | | 26.67 |
| FX2CA2- 40S-1.27DSA | 572-2523-4 | 40 | 35.45 | 24.13 | 30.33 | _____ |
| FX2CA2- 40S-1.27DSAL | 572-2573-2 | | | | | 31.75 |
| FX2CA2- 52S-1.27DSA | 572-2524-7 | 52 | 43.07 | 31.75 | 37.95 | _____ |
| FX2CA2- 52S-1.27DSAL | 572-2574-5 | | | | | 39.37 |
| FX2CA2- 60S-1.27DSA | 572-2525-0 | 60 | 48.15 | 36.83 | 43.03 | _____ |
| FX2CA2- 60S-1.27DSAL | 572-2575-8 | | | | | 44.45 |
| FX2CA2- 68S-1.27DSA | 572-2526-2 | 68 | 53.23 | 41.91 | 48.11 | _____ |
| FX2CA2- 68S-1.27DSAL | 572-2576-0 | | | | | 49.53 |
| FX2CA2- 80S-1.27DSA | 572-2527-5 | 80 | 60.85 | 49.53 | 55.73 | _____ |
| FX2CA2- 80S-1.27DSAL | 572-2577-3 | | | | | 57.15 |
| FX2CA2-100S-1.27DSA | 572-2528-8 | 100 | 73.55 | 62.23 | 68.43 | _____ |
| FX2CA2-100S-1.27DSAL | 572-2578-6 | | | | | 69.85 |
| FX2CA2-120S-1.27DSA | 572-2529-0 | 120 | 86.25 | 74.93 | 81.13 | _____ |
| FX2CA2-120S-1.27DSAL | 572-2579-9 | | | | | 82.55 |

■ Receptacle

● Right Angle Type



◆ PCB mounting pattern

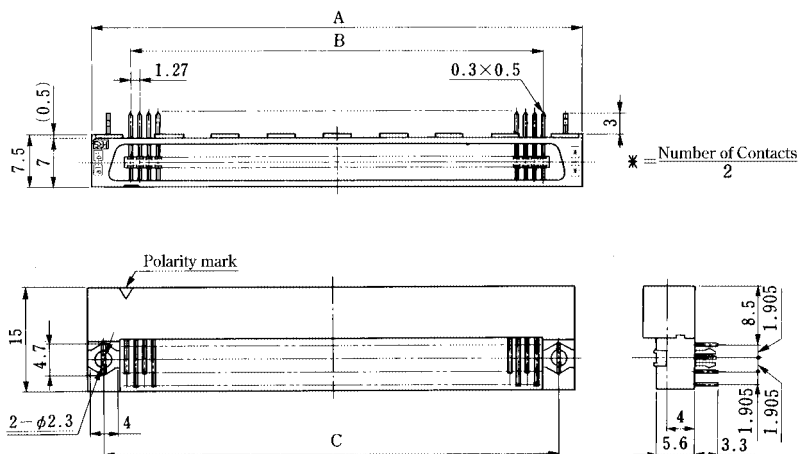
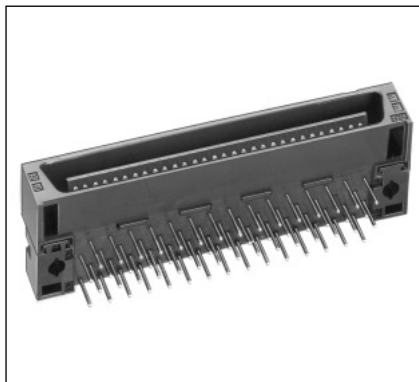


Unit:mm

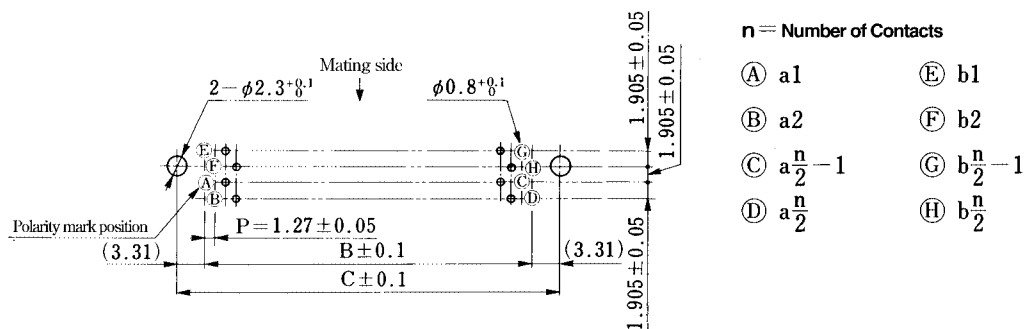
| Part Number | CL No. | Number of Contacts | A | B | C | D |
|------------------|------------|--------------------|-------|-------|-------|-------|
| FX2- 20S-1.27DS | 572-2701-0 | 20 | 22.75 | 11.43 | 17.63 | 18.05 |
| FX2- 20S-1.27DSL | 572-2751-9 | | | | | |
| FX2- 32S-1.27DS | 572-2702-3 | 32 | 30.37 | 19.05 | 25.25 | 25.67 |
| FX2- 32S-1.27DSL | 572-2752-1 | | | | | |
| FX2- 40S-1.27DS | 572-2703-6 | 40 | 35.45 | 24.13 | 30.33 | 30.75 |
| FX2- 40S-1.27DSL | 572-2753-4 | | | | | |
| FX2- 52S-1.27DS | 572-2704-9 | 52 | 43.07 | 31.75 | 37.95 | 38.37 |
| FX2- 52S-1.27DSL | 572-2754-7 | | | | | |
| FX2- 60S-1.27DS | 572-2705-1 | 60 | 48.15 | 36.83 | 43.03 | 43.45 |
| FX2- 60S-1.27DSL | 572-2755-0 | | | | | |
| FX2- 68S-1.27DS | 572-2706-4 | 68 | 53.23 | 41.91 | 48.11 | 48.53 |
| FX2- 68S-1.27DSL | 572-2756-2 | | | | | |
| FX2- 80S-1.27DS | 572-2707-7 | 80 | 60.85 | 49.53 | 55.73 | 56.15 |
| FX2- 80S-1.27DSL | 572-2757-5 | | | | | |
| FX2-100S-1.27DS | 572-2708-0 | 100 | 73.55 | 62.23 | 68.43 | 68.85 |
| FX2-100S-1.27DSL | 572-2758-8 | | | | | |
| FX2-120S-1.27DS | 572-2709-2 | 120 | 86.25 | 74.93 | 81.13 | 81.55 |
| FX2-120S-1.27DSL | 572-2759-0 | | | | | |

Header

Right Angle Type



PCB mounting pattern

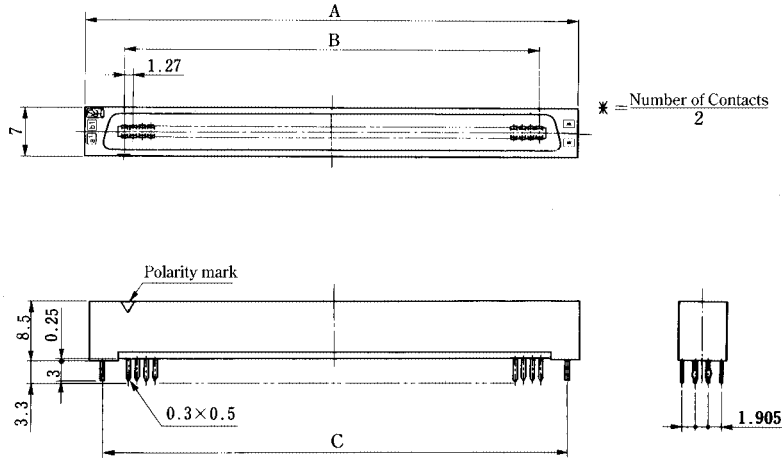


Unit:mm

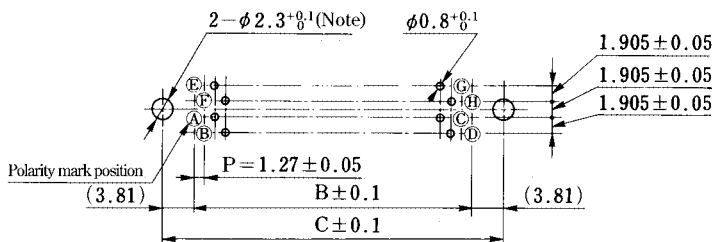
| Part Number | CL No. | Number of Contacts | A | B | C |
|------------------|------------|--------------------|-------|-------|-------|
| FX2- 20P-1.27DS | 572-2601-6 | 20 | 22.75 | 11.43 | 18.05 |
| FX2- 20P-1.27DSL | 572-2651-4 | | | | |
| FX2- 32P-1.27DS | 572-2602-9 | 32 | 30.37 | 19.05 | 25.67 |
| FX2- 32P-1.27DSL | 572-2652-7 | | | | |
| FX2- 40P-1.27DS | 572-2603-1 | 40 | 35.45 | 24.13 | 30.75 |
| FX2- 40P-1.27DSL | 572-2653-0 | | | | |
| FX2- 52P-1.27DS | 572-2604-4 | 52 | 43.07 | 31.75 | 38.37 |
| FX2- 52P-1.27DSL | 572-2654-2 | | | | |
| FX2- 60P-1.27DS | 572-2605-7 | 60 | 48.15 | 36.83 | 43.45 |
| FX2- 60P-1.27DSL | 572-2655-5 | | | | |
| FX2- 68P-1.27DS | 572-2606-0 | 68 | 53.23 | 41.91 | 48.53 |
| FX2- 68P-1.27DSL | 572-2656-8 | | | | |
| FX2- 80P-1.27DS | 572-2607-2 | 80 | 60.85 | 49.53 | 56.15 |
| FX2- 80P-1.27DSL | 572-2657-0 | | | | |
| FX2-100P-1.27DS | 572-2608-5 | 100 | 73.55 | 62.23 | 68.85 |
| FX2-100P-1.27DSL | 572-2658-3 | | | | |
| FX2-120P-1.27DS | 572-2609-8 | 120 | 86.25 | 74.93 | 81.55 |
| FX2-120P-1.27DSL | 572-2659-6 | | | | |

Header No Cleaning Type

●Straight Type



◆PCB mounting pattern



n = Number of Contacts

- Ⓐ a1 Ⓔ b1
- Ⓑ a2 Ⓕ b2
- Ⓒ $a\frac{n}{2}-1$ Ⓖ $b\frac{n}{2}-1$
- Ⓓ $a\frac{n}{2}$ Ⓖ $b\frac{n}{2}$

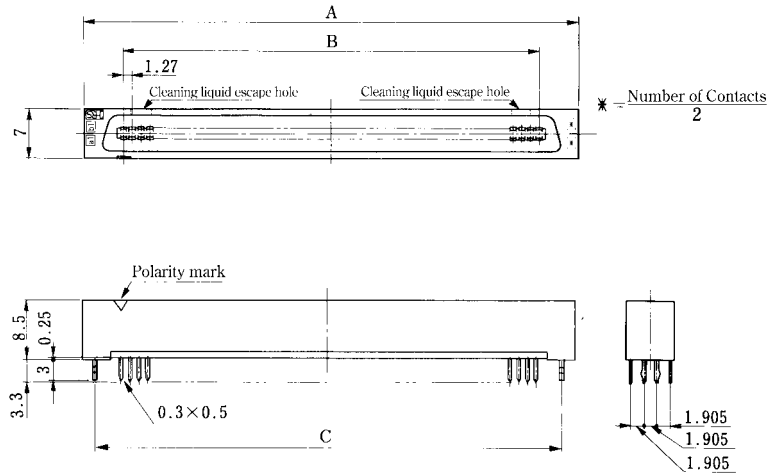
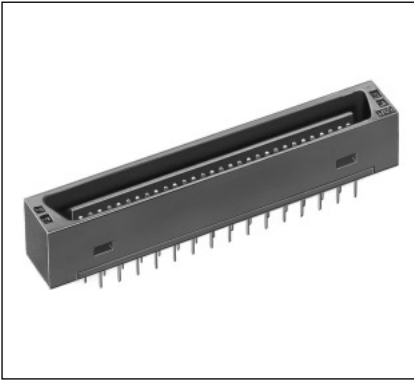
Note: Not required, if no prefixed pin is attached.

Unit:mm

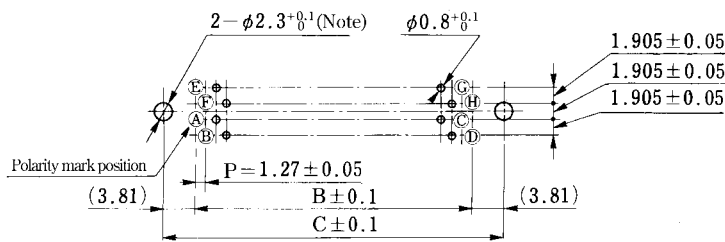
| Part Number | CL No. | Number of Contacts | A | B | C |
|--------------------|------------|--------------------|-------|-------|-------|
| FX2C- 20P-1.27DSA | 572-2201-8 | 20 | 22.75 | 11.43 | _____ |
| FX2C- 20P-1.27DSAL | 572-2251-6 | | | | 19.05 |
| FX2C- 32P-1.27DSA | 572-2202-0 | 32 | 30.37 | 19.05 | _____ |
| FX2C- 32P-1.27DSAL | 572-2252-9 | | | | 26.67 |
| FX2C- 40P-1.27DSA | 572-2203-3 | 40 | 35.45 | 24.13 | _____ |
| FX2C- 40P-1.27DSAL | 572-2253-1 | | | | 31.75 |
| FX2C- 52P-1.27DSA | 572-2204-6 | 52 | 43.07 | 31.75 | _____ |
| FX2C- 52P-1.27DSAL | 572-2254-4 | | | | 39.37 |
| FX2C- 60P-1.27DSA | 572-2205-9 | 60 | 48.15 | 36.83 | _____ |
| FX2C- 60P-1.27DSAL | 572-2255-7 | | | | 44.45 |
| FX2C- 68P-1.27DSA | 572-2206-1 | 68 | 53.23 | 41.91 | _____ |
| FX2C- 68P-1.27DSAL | 572-2256-0 | | | | 49.53 |
| FX2C- 80P-1.27DSA | 572-2207-4 | 80 | 60.85 | 49.53 | _____ |
| FX2C- 80P-1.27DSAL | 572-2257-2 | | | | 57.15 |
| FX2C-100P-1.27DSA | 572-2208-7 | 100 | 73.55 | 62.23 | _____ |
| FX2C-100P-1.27DSAL | 572-2258-5 | | | | 69.85 |
| FX2C-120P-1.27DSA | 572-2209-0 | 120 | 86.25 | 74.93 | _____ |
| FX2C-120P-1.27DSAL | 572-2259-8 | | | | 82.55 |

Header Cleaning Type

●Straight Type



◆PCB mounting pattern



n = Number of Contacts

- Ⓐ a1 Ⓔ b1
- Ⓑ a2 Ⓕ b2
- Ⓒ $a \frac{n}{2} - 1$ Ⓖ $b \frac{n}{2} - 1$
- Ⓓ $a \frac{n}{2}$ Ⓖ $b \frac{n}{2}$

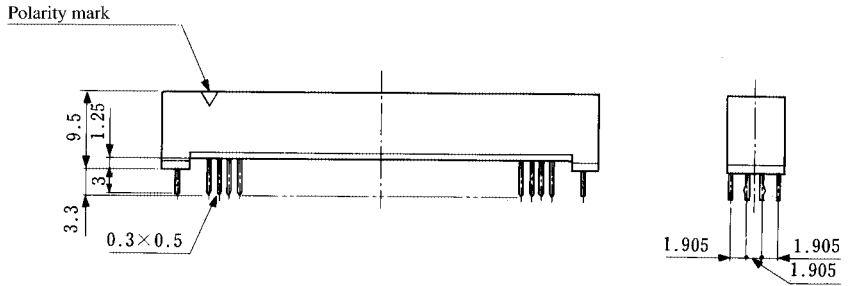
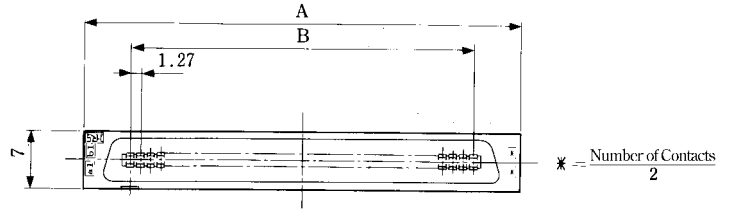
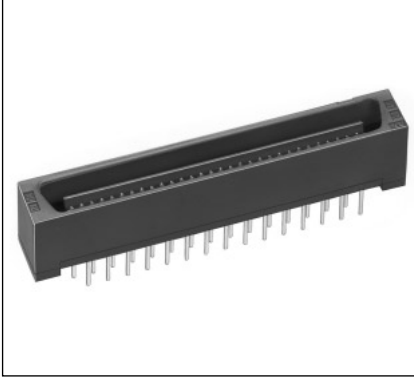
Note: Not required, if no prefixed pin is attached.

Unit:mm

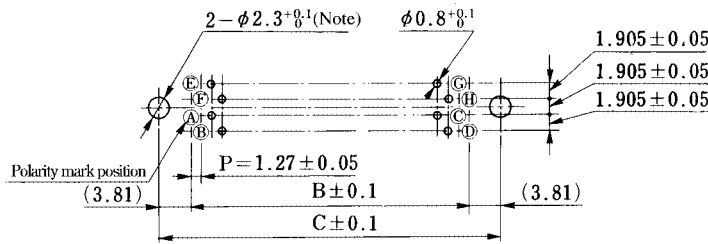
| Part Number | CL No. | Number of Contacts | A | B | C |
|---------------------|------------|--------------------|-------|-------|-------|
| FX2CA- 20P-1.27DSA | 572-2301-2 | 20 | 22.75 | 11.43 | _____ |
| FX2CA- 20P-1.27DSAL | 572-2351-0 | | | | 19.05 |
| FX2CA- 32P-1.27DSA | 572-2302-5 | 32 | 30.37 | 19.05 | _____ |
| FX2CA- 32P-1.27DSAL | 572-2352-3 | | | | 26.67 |
| FX2CA- 40P-1.27DSA | 572-2303-8 | 40 | 35.45 | 24.13 | _____ |
| FX2CA- 40P-1.27DSAL | 572-2353-6 | | | | 31.75 |
| FX2CA- 52P-1.27DSA | 572-2304-0 | 52 | 43.07 | 31.75 | _____ |
| FX2CA- 52P-1.27DSAL | 572-2354-9 | | | | 39.37 |
| FX2CA- 60P-1.27DSA | 572-2305-3 | 60 | 48.15 | 36.83 | _____ |
| FX2CA- 60P-1.27DSAL | 572-2355-1 | | | | 44.45 |
| FX2CA- 68P-1.27DSA | 572-2306-6 | 68 | 53.23 | 41.91 | _____ |
| FX2CA- 68P-1.27DSAL | 572-2356-4 | | | | 49.53 |
| FX2CA- 80P-1.27DSA | 572-2307-9 | 80 | 60.85 | 49.53 | _____ |
| FX2CA- 80P-1.27DSAL | 572-2357-7 | | | | 57.15 |
| FX2CA-100P-1.27DSA | 572-2308-1 | 100 | 73.55 | 62.23 | _____ |
| FX2CA-100P-1.27DSAL | 572-2358-0 | | | | 69.85 |
| FX2CA-120P-1.27DSA | 572-2309-4 | 120 | 86.25 | 74.93 | _____ |
| FX2CA-120P-1.27DSAL | 572-2359-2 | | | | 82.55 |

Header No Cleaning Type

●Straight Type



◆PCB mounting pattern



n = Number of Contacts

- | | |
|-----------------------|-----------------------|
| Ⓐ a1 | Ⓔ b1 |
| Ⓑ a2 | Ⓕ b2 |
| Ⓒ $a \frac{n}{2} - 1$ | Ⓖ $b \frac{n}{2} - 1$ |
| Ⓓ $a \frac{n}{2}$ | Ⓗ $b \frac{n}{2}$ |

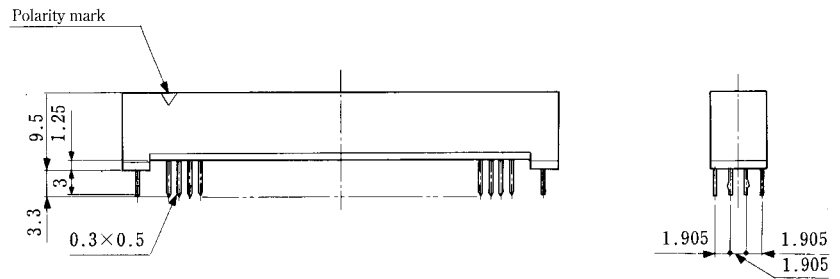
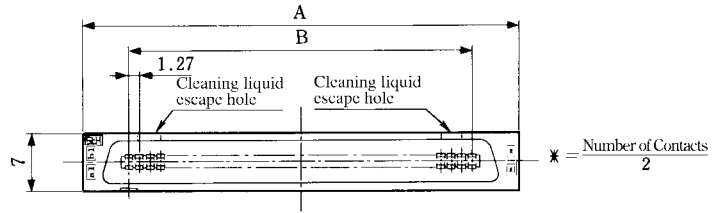
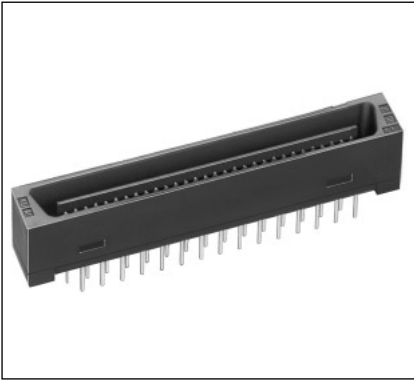
Note: Not required, if no prefixed pin is attached.

Unit: mm

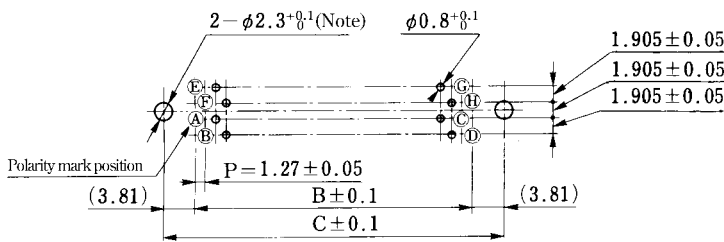
| Part Number | CL No. | Number of Contacts | A | B | C |
|----------------------|------------|--------------------|-------|-------|-------|
| FX2C1- 20P-1.27DSA | 572-2211-1 | 20 | 22.75 | 11.43 | — |
| FX2C1- 20P-1.27DSAL | 572-2261-0 | | | | 19.05 |
| FX2C1- 32P-1.27DSA | 572-2212-4 | 32 | 30.37 | 19.05 | — |
| FX2C1- Z32P-1.27DSAL | 572-2262-2 | | | | 26.67 |
| FX2C1- 40P-1.27DSA | 572-2213-7 | 40 | 35.45 | 24.13 | — |
| FX2C1- 40P-1.27DSAL | 572-2263-5 | | | | 31.75 |
| FX2C1- 52P-1.27DSA | 572-2214-0 | 52 | 43.07 | 31.75 | — |
| FX2C1- 52P-1.27DSAL | 572-2264-8 | | | | 39.37 |
| FX2C1- 60P-1.27DSA | 572-2215-2 | 60 | 48.15 | 36.83 | — |
| FX2C1- 60P-1.27DSAL | 572-2265-0 | | | | 44.45 |
| FX2C1- 68P-1.27DSA | 572-2216-5 | 68 | 53.23 | 41.91 | — |
| FX2C1- 68P-1.27DSAL | 572-2266-3 | | | | 49.53 |
| FX2C1- 80P-1.27DSA | 572-2217-8 | 80 | 60.85 | 49.53 | — |
| FX2C1- 80P-1.27DSAL | 572-2267-6 | | | | 57.15 |
| FX2C1-100P-1.27DSA | 572-2218-0 | 100 | 73.55 | 62.23 | — |
| FX2C1-100P-1.27DSAL | 572-2268-9 | | | | 69.85 |
| FX2C1-120P-1.27DSA | 572-2219-3 | 120 | 86.25 | 74.93 | — |
| FX2C1-120P-1.27DSAL | 572-2269-1 | | | | 82.55 |

Header Cleaning Type

●Straight Type



◆PCB mounting pattern



n = Number of Contacts

- | | |
|----------------------|----------------------|
| Ⓐ a1 | Ⓔ b1 |
| Ⓑ a2 | Ⓕ b2 |
| Ⓒ $a\frac{n}{2} - 1$ | Ⓖ $b\frac{n}{2} - 1$ |
| Ⓓ $a\frac{n}{2}$ | Ⓗ $b\frac{n}{2}$ |

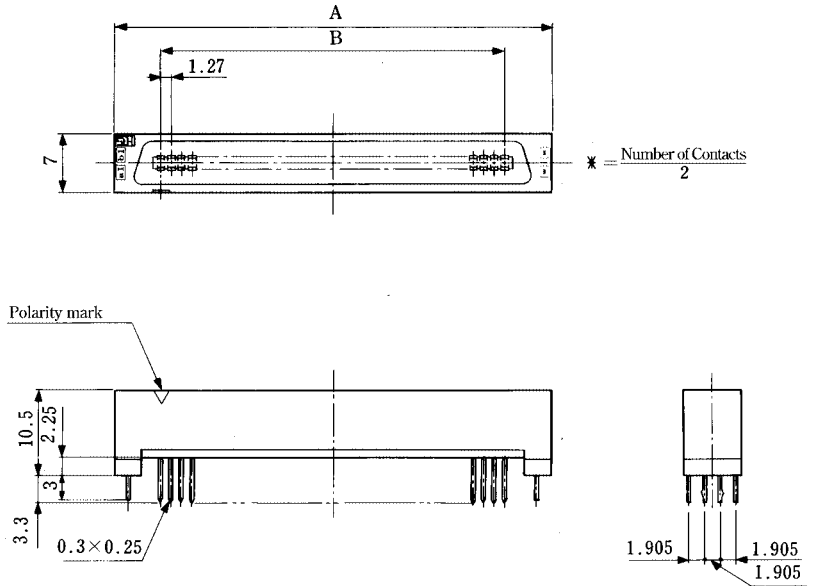
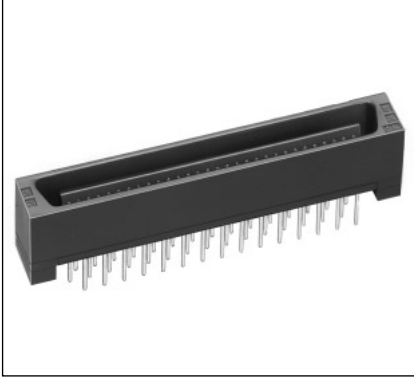
Note: Not required, if no prefixed pin is attached.

Unit: mm

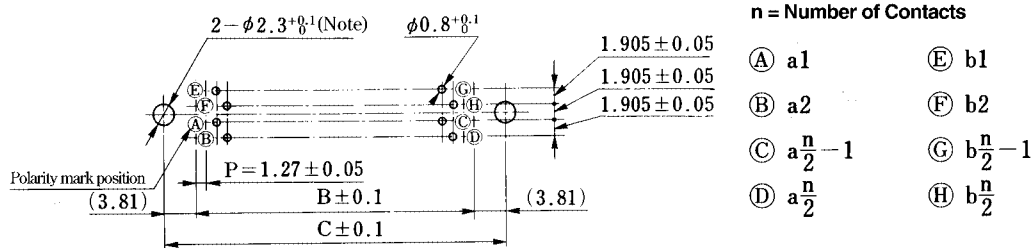
| Part Number | CL No. | Number of Contacts | A | B | C |
|----------------------|------------|--------------------|-------|-------|-------|
| FX2CA1- 20P-1.27DSA | 572-2311-6 | 20 | 22.75 | 11.43 | — |
| FX2CA1- 20P-1.27DSAL | 572-2361-4 | | | | 19.05 |
| FX2CA1- 32P-1.27DSA | 572-2312-9 | 32 | 30.37 | 19.05 | — |
| FX2CA1- 32P-1.27DSAL | 572-2362-7 | | | | 26.67 |
| FX2CA1- 40P-1.27DSA | 572-2313-1 | 40 | 35.45 | 24.13 | — |
| FX2CA1- 40P-1.27DSAL | 572-2363-0 | | | | 31.75 |
| FX2CA1- 52P-1.27DSA | 572-2314-4 | 52 | 43.07 | 31.75 | — |
| FX2CA1- 52P-1.27DSAL | 572-2364-2 | | | | 39.37 |
| FX2CA1- 60P-1.27DSA | 572-2315-7 | 60 | 48.15 | 36.83 | — |
| FX2CA1- 60P-1.27DSAL | 572-2365-5 | | | | 44.45 |
| FX2CA1- 68P-1.27DSA | 572-2316-0 | 68 | 53.23 | 41.91 | — |
| FX2CA1- 68P-1.27DSAL | 572-2366-8 | | | | 49.53 |
| FX2CA1- 80P-1.27DSA | 572-2317-2 | 80 | 60.85 | 49.53 | — |
| FX2CA1- 80P-1.27DSAL | 572-2367-0 | | | | 57.15 |
| FX2CA1-100P-1.27DSA | 572-2318-5 | 100 | 73.55 | 62.23 | — |
| FX2CA1-100P-1.27DSAL | 572-2368-3 | | | | 69.85 |
| FX2CA1-120P-1.27DSA | 572-2319-8 | 120 | 86.25 | 74.93 | — |
| FX2CA1-120P-1.27DSAL | 572-2369-6 | | | | 82.55 |

Header No Cleaning Type

●Straight Type



◆PCB mounting pattern



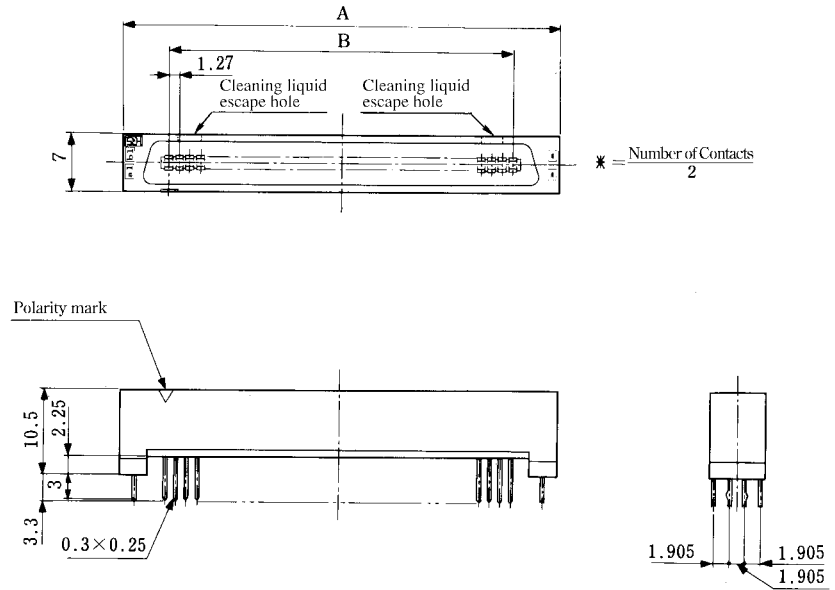
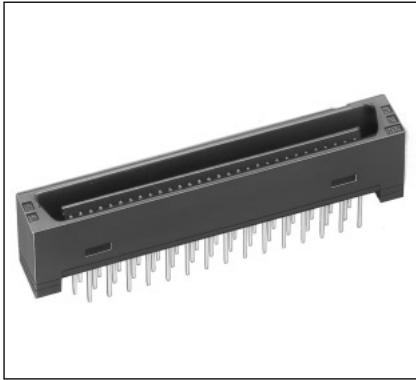
Note: Not required, if no prefixed pin is attached.

Unit: mm

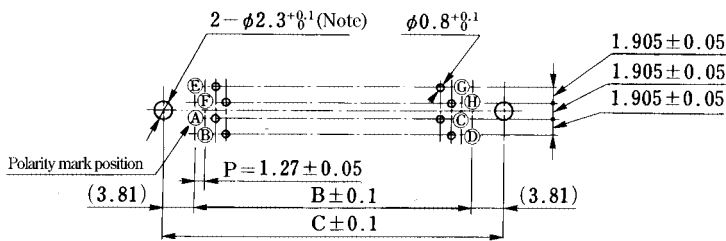
| Part Number | CL No. | Number of Contacts | A | B | C |
|---------------------|------------|--------------------|-------|-------|-------|
| FX2C2- 20P-1.27DSA | 572-2221-5 | 20 | 22.75 | 11.43 | — |
| FX2C2- 20P-1.27DSAL | 572-2271-3 | | | | 19.05 |
| FX2C2- 32P-1.27DSA | 572-2222-8 | 32 | 30.37 | 19.05 | — |
| FX2C2- 32P-1.27DSAL | 572-2272-6 | | | | 26.67 |
| FX2C2- 40P-1.27DSA | 572-2223-0 | 40 | 35.45 | 24.13 | — |
| FX2C2- 40P-1.27DSAL | 572-2273-9 | | | | 31.75 |
| FX2C2- 52P-1.27DSA | 572-2224-3 | 52 | 43.07 | 31.75 | — |
| FX2C2- 52P-1.27DSAL | 572-2274-1 | | | | 39.37 |
| FX2C2- 60P-1.27DSA | 572-2225-6 | 60 | 48.15 | 36.83 | — |
| FX2C2- 60P-1.27DSAL | 572-2275-4 | | | | 44.45 |
| FX2C2- 68P-1.27DSA | 572-2226-9 | 68 | 53.23 | 41.91 | — |
| FX2C2- 68P-1.27DSAL | 572-2276-7 | | | | 49.53 |
| FX2C2- 80P-1.27DSA | 572-2227-1 | 80 | 60.85 | 49.53 | — |
| FX2C2- 80P-1.27DSAL | 572-2277-0 | | | | 57.15 |
| FX2C2-100P-1.27DSA | 572-2228-4 | 100 | 73.55 | 62.23 | — |
| FX2C2-100P-1.27DSAL | 572-2278-2 | | | | 69.85 |
| FX2C2-120P-1.27DSA | 572-2229-7 | 120 | 86.25 | 74.93 | — |
| FX2C2-120P-1.27DSAL | 572-2279-5 | | | | 82.55 |

Header Cleaning Type

●Straight Type



◆PCB mounting pattern



n = Number of Contacts

- | | |
|----------------------|----------------------|
| Ⓐ a1 | Ⓔ b1 |
| Ⓑ a2 | Ⓕ b2 |
| Ⓒ $a\frac{n}{2} - 1$ | Ⓖ $b\frac{n}{2} - 1$ |
| Ⓓ $a\frac{n}{2}$ | Ⓗ $b\frac{n}{2}$ |

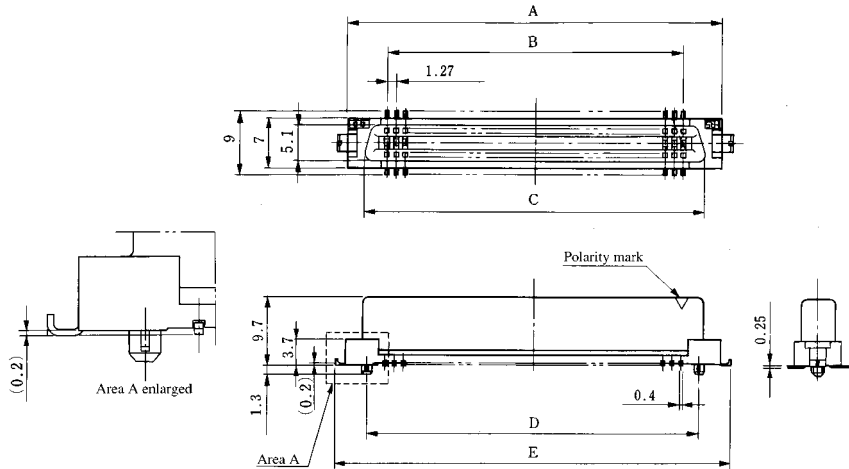
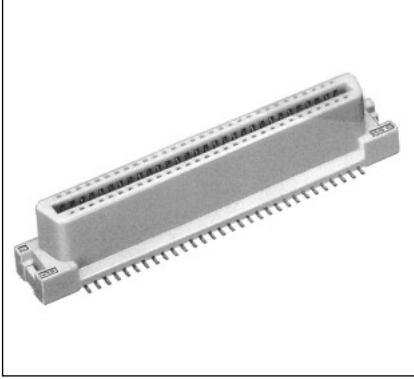
Note: Not required, if no prefixed pin is attached.

Unit: mm

| Part Number | CL No. | Number of Contacts | A | B | C |
|----------------------|------------|--------------------|-------|-------|-------|
| FX2CA2- 20P-1.27DSA | 572-2321-0 | 20 | 22.75 | 11.43 | — |
| FX2CA2- 20P-1.27DSAL | 572-2371-8 | | | | 19.05 |
| FX2CA2- 32P-1.27DSA | 572-2322-2 | 32 | 30.37 | 19.05 | — |
| FX2CA2- 32P-1.27DSAL | 572-2372-0 | | | | 26.67 |
| FX2CA2- 40P-1.27DSA | 572-2323-5 | 40 | 35.45 | 24.13 | — |
| FX2CA2- 40P-1.27DSAL | 572-2373-3 | | | | 31.75 |
| FX2CA2- 52P-1.27DSA | 572-2324-8 | 52 | 43.07 | 31.75 | — |
| FX2CA2- 52P-1.27DSAL | 572-2374-6 | | | | 39.37 |
| FX2CA2- 60P-1.27DSA | 572-2325-0 | 60 | 48.15 | 36.83 | — |
| FX2CA2- 60P-1.27DSAL | 572-2375-9 | | | | 44.45 |
| FX2CA2- 68P-1.27DSA | 572-2326-3 | 68 | 53.23 | 41.91 | — |
| FX2CA2- 68P-1.27DSAL | 572-2376-1 | | | | 49.53 |
| FX2CA2- 80P-1.27DSA | 572-2327-6 | 80 | 60.85 | 49.53 | — |
| FX2CA2- 80P-1.27DSAL | 572-2377-4 | | | | 57.15 |
| FX2CA2-100P-1.27DSA | 572-2328-9 | 100 | 73.55 | 62.23 | — |
| FX2CA2-100P-1.27DSAL | 572-2378-7 | | | | 69.85 |
| FX2CA2-120P-1.27DSA | 572-2329-1 | 120 | 86.25 | 74.93 | — |
| FX2CA2-120P-1.27DSAL | 572-2379-0 | | | | 82.55 |

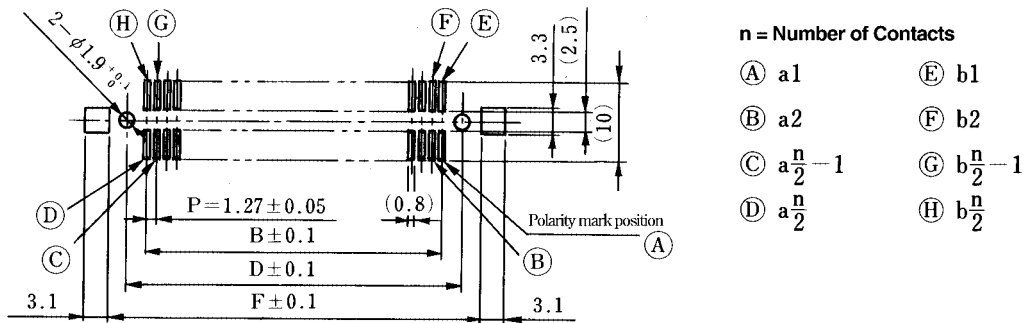
■ Receptacle SMT Type

● Straight Type



Note: The 120 contacts type differs in the style.

◆ PCB mounting pattern



n = Number of Contacts

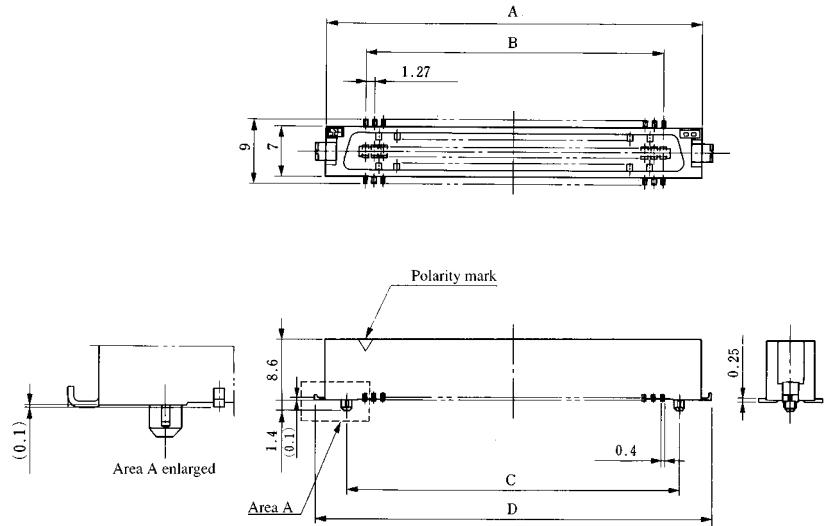
- Ⓐ a1 Ⓔ b1
- Ⓑ a2 Ⓕ b2
- Ⓒ $a\frac{n}{2}-1$ Ⓖ $b\frac{n}{2}-1$
- Ⓓ $a\frac{n}{2}$ Ⓖ $b\frac{n}{2}$

Unit: mm

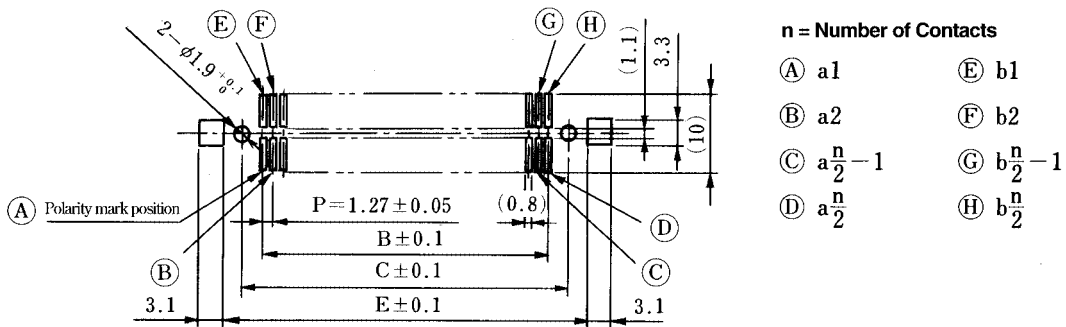
| Part Number | CL No. | Number of Contacts | A | B | C | D | E | F |
|------------------|------------|--------------------|-------|-------|-------|-------|-------|-------|
| FX2- 20S-1.27SV | 572-2101-3 | 20 | 22.75 | 11.43 | 17.63 | 16.51 | — | — |
| FX2- 20S-1.27SVL | 572-2151-1 | | | | | | 25.75 | 21.15 |
| FX2- 32S-1.27SV | 572-2102-6 | 32 | 30.37 | 19.05 | 25.25 | 24.13 | — | — |
| FX2- 32S-1.27SVL | 572-2152-4 | | | | | | 33.37 | 28.77 |
| FX2- 40S-1.27SV | 572-2103-9 | 40 | 35.45 | 24.13 | 30.33 | 29.21 | — | — |
| FX2- 40S-1.27SVL | 572-2153-7 | | | | | | 38.45 | 33.85 |
| FX2- 52S-1.27SV | 572-2104-1 | 52 | 43.07 | 31.75 | 37.95 | 36.83 | — | — |
| FX2- 52S-1.27SVL | 572-2154-0 | | | | | | 46.07 | 41.47 |
| FX2- 60S-1.27SV | 572-2105-4 | 60 | 48.15 | 36.83 | 43.03 | 41.91 | — | — |
| FX2- 60S-1.27SVL | 572-2155-2 | | | | | | 51.15 | 46.55 |
| FX2- 68S-1.27SV | 572-2106-7 | 68 | 53.23 | 41.91 | 48.11 | 46.99 | — | — |
| FX2- 68S-1.27SVL | 572-2156-5 | | | | | | 56.23 | 51.63 |
| FX2- 80S-1.27SV | 572-2107-0 | 80 | 60.85 | 49.53 | 55.73 | 54.61 | — | — |
| FX2- 80S-1.27SVL | 572-2157-8 | | | | | | 63.85 | 59.25 |
| FX2-100S-1.27SV | 572-2108-2 | 100 | 73.55 | 62.23 | 68.43 | 67.31 | — | — |
| FX2-100S-1.27SVL | 572-2158-0 | | | | | | 76.55 | 71.95 |
| FX2-120S-1.27SV | 572-2109-5 | 120 | 86.25 | 74.93 | 81.13 | 80.01 | — | — |
| FX2-120S-1.27SVL | 572-2159-3 | | | | | | 89.25 | 84.65 |

■ Header SMT Type

● Straight Type



◆ PCB mounting pattern

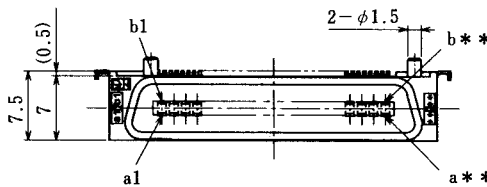
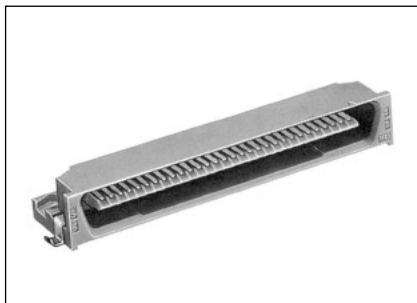


Unit: mm

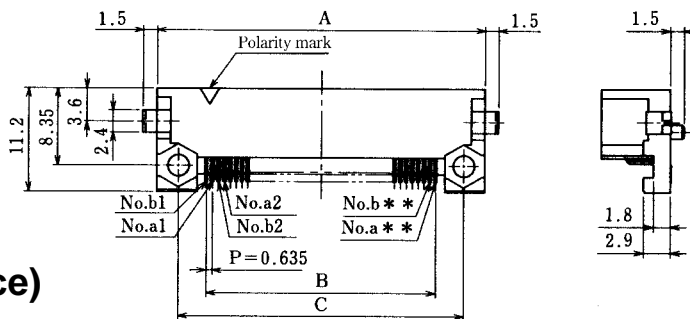
| Part Number | CL No. | Number of Contacts | A | B | C | D | E |
|------------------|------------|--------------------|-------|-------|-------|-------|-------|
| FX2- 20P-1.27SV | 572-2001-9 | 20 | 22.75 | 11.43 | 16.51 | — | — |
| FX2- 20P-1.27SVL | 572-2051-7 | | | | | 25.75 | 21.15 |
| FX2- 32P-1.27SV | 572-2002-1 | 32 | 30.37 | 19.05 | 24.13 | — | — |
| FX2- 32P-1.27SVL | 572-2052-0 | | | | | 33.37 | 28.77 |
| FX2- 40P-1.27SV | 572-2003-4 | 40 | 35.45 | 24.13 | 29.21 | — | — |
| FX2- 40P-1.27SVL | 572-2053-2 | | | | | 38.45 | 33.85 |
| FX2- 52P-1.27SV | 572-2004-7 | 52 | 43.07 | 31.75 | 36.83 | — | — |
| FX2- 52P-1.27SVL | 572-2054-5 | | | | | 46.07 | 41.47 |
| FX2- 60P-1.27SV | 572-2005-0 | 60 | 48.15 | 36.83 | 41.91 | — | — |
| FX2- 60P-1.27SVL | 572-2055-8 | | | | | 51.15 | 46.55 |
| FX2- 68P-1.27SV | 572-2006-2 | 68 | 53.23 | 41.91 | 46.99 | — | — |
| FX2- 68P-1.27SVL | 572-2056-0 | | | | | 56.23 | 51.63 |
| FX2- 80P-1.27SV | 572-2007-5 | 80 | 60.85 | 49.53 | 54.61 | — | — |
| FX2- 80P-1.27SVL | 572-2057-3 | | | | | 63.85 | 59.25 |
| FX2-100P-1.27SV | 572-2008-8 | 100 | 73.55 | 62.23 | 67.31 | — | — |
| FX2-100P-1.27SVL | 572-2058-6 | | | | | 76.55 | 71.95 |
| FX2-120P-1.27SV | 572-2009-0 | 120 | 86.25 | 74.93 | 80.01 | — | — |
| FX2-120P-1.27SVL | 572-2059-9 | | | | | 89.25 | 84.65 |

Header SMT Type

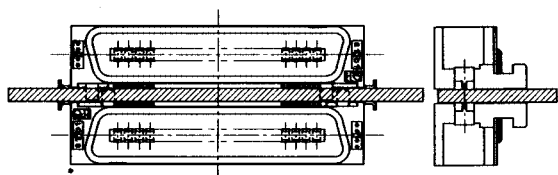
Right Angle Type



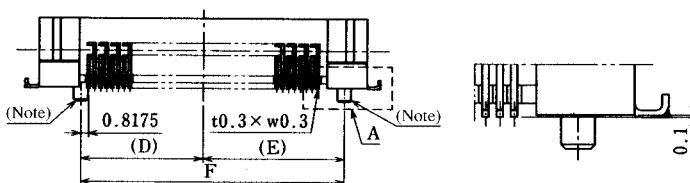
$$** = \frac{\text{Number of Contacts}}{2}$$



Mounting Example (Reference)

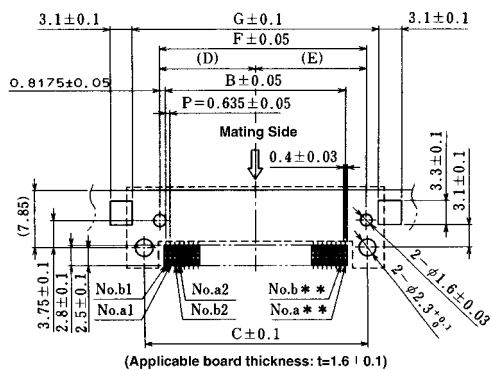


Since bosses are located symmetrically on the right and left sides, connectors can be mounted on both sides of board as shown above.

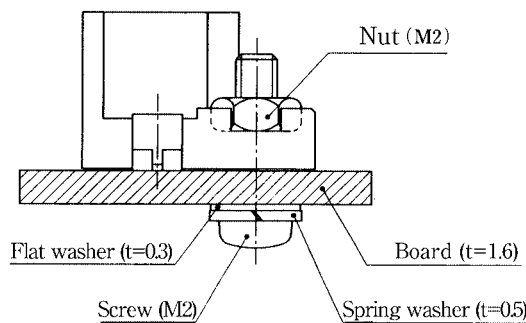


Note: The FX2A type does not have bosses as shown in the illustration.

PCB mounting Pattern



Recommended Screw Clamp



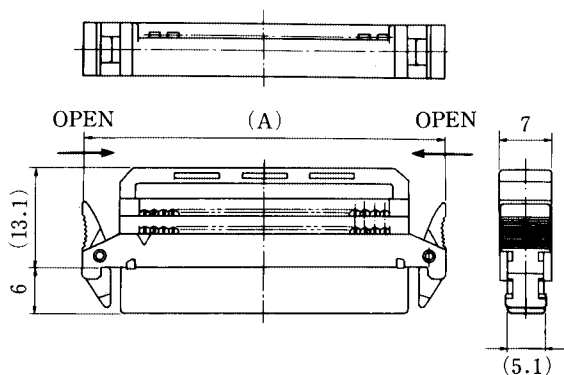
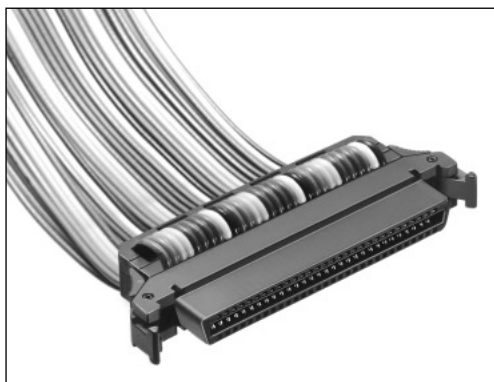
Use M2 screw for fixture.
 Recommended torque is 0.15(N•m).

Unit: mm

| Part Number | CL No. | Number of Contacts | A | B | C | D | E | F | G |
|------------------|------------|--------------------|-------|--------|-------|-------|-------|-------|-------|
| FX2-20P-0.635SH | 572-2761-2 | 20 | 22.75 | 12.065 | 18.05 | 6.85 | 8.85 | 15.7 | 21.15 |
| FX2A-20P-0.635SH | 572-2771-6 | | | | | — | — | — | |
| FX2-40P-0.635SH | 572-2763-8 | 40 | 35.45 | 24.765 | 30.75 | 13.2 | 15.2 | 28.4 | 33.85 |
| FX2A-40P-0.635SH | 572-2773-1 | | | | | — | — | — | |
| FX2-52P-0.635SH | 572-2764-0 | 52 | 43.07 | 32.385 | 38.37 | 17.01 | 19.01 | 36.02 | 41.47 |
| FX2A-52P-0.635SH | 572-2774-4 | | | | | — | — | — | |
| FX2-60P-0.635SH | 572-2765-3 | 60 | 48.15 | 37.465 | 43.45 | 19.55 | 21.55 | 41.1 | 46.55 |
| FX2A-60P-0.635SH | 572-2775-7 | | | | | — | — | — | |
| FX2-80P-0.635SH | 572-2767-9 | 80 | 60.85 | 50.165 | 56.15 | 25.9 | 27.9 | 53.8 | 59.25 |
| FX2A-80P-0.635SH | 572-2777-2 | | | | | — | — | — | |

■Socket Type

●Lock Cable Type

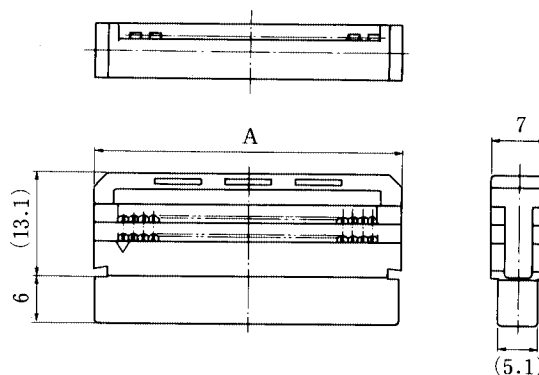
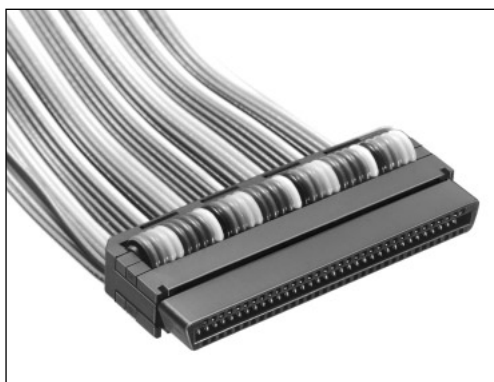


Combination View

Unit: mm

| Part Number | CL No. | Number of Contacts | A |
|------------------|------------|--------------------|-------|
| FX2B- 20SA-1.27R | 572-0621-2 | 20 | 27.83 |
| FX2B- 32SA-1.27R | 572-0622-5 | 32 | 35.45 |
| FX2B- 40SA-1.27R | 572-0623-8 | 40 | 40.53 |
| FX2B- 52SA-1.27R | 572-0624-0 | 52 | 48.15 |
| FX2B- 60SA-1.27R | 572-0625-3 | 60 | 53.23 |
| FX2B- 68SA-1.27R | 572-0629-4 | 68 | 58.31 |
| FX2B- 80SA-1.27R | 572-0630-3 | 80 | 65.93 |
| FX2B-100SA-1.27R | 572-0628-1 | 100 | 78.63 |

●Unlock Cable Type



Combination View

Unit: mm

| Part Number | CL No. | Number of Contacts | A |
|-------------------|------------|--------------------|-------|
| FX2BA- 20SA-1.27R | 572-0671-0 | 20 | 18.05 |
| FX2BA- 32SA-1.27R | 572-0672-3 | 32 | 25.67 |
| FX2BA- 40SA-1.27R | 572-0673-6 | 40 | 30.75 |
| FX2BA- 52SA-1.27R | 572-0674-9 | 52 | 38.37 |
| FX2BA- 60SA-1.27R | 572-0675-1 | 60 | 43.45 |
| FX2BA- 68SA-1.27R | 572-0676-4 | 68 | 48.53 |
| FX2BA- 80SA-1.27R | 572-0677-7 | 80 | 56.15 |
| FX2BA-100SA-1.27R | 572-0678-0 | 100 | 68.85 |

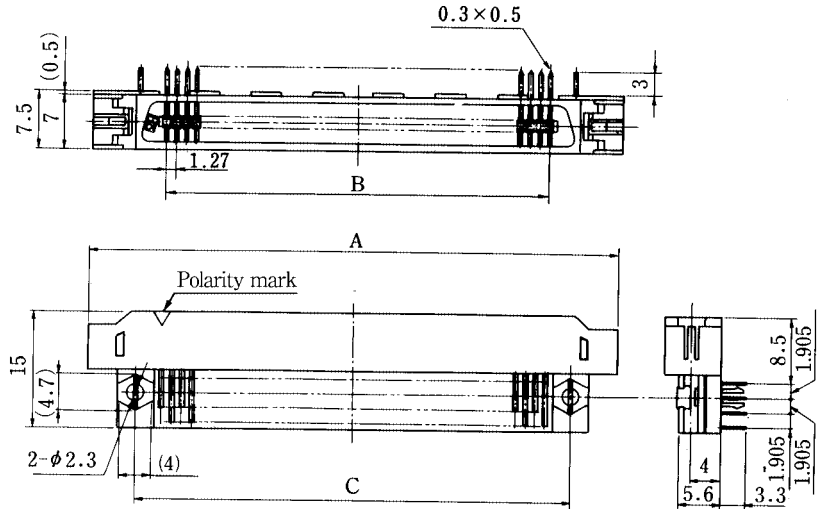
◆Connection Tool

| Type | Part Number | CL No. |
|------------------|--------------------------|------------|
| Guide plate | FX2B(A)-GPA | 550-0212-6 |
| Connection press | Hi-Flex connection press | 550-0082-2 |

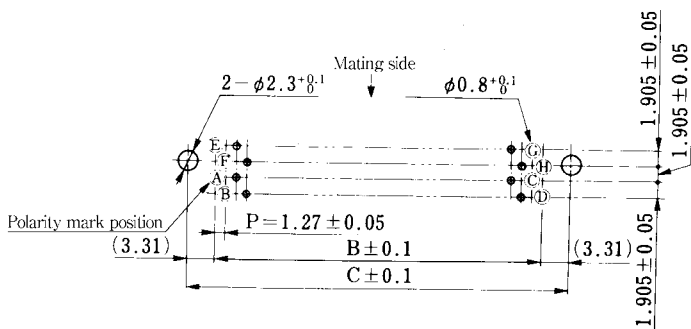
Note:HRS6 cable cutter FC601 isn't required for FX2B(A) connection.
 (Connected without convex-concave cutting.)

■Header

●Right Angle Type for Lock



◆PCB mounting pattern



n= number of contacts

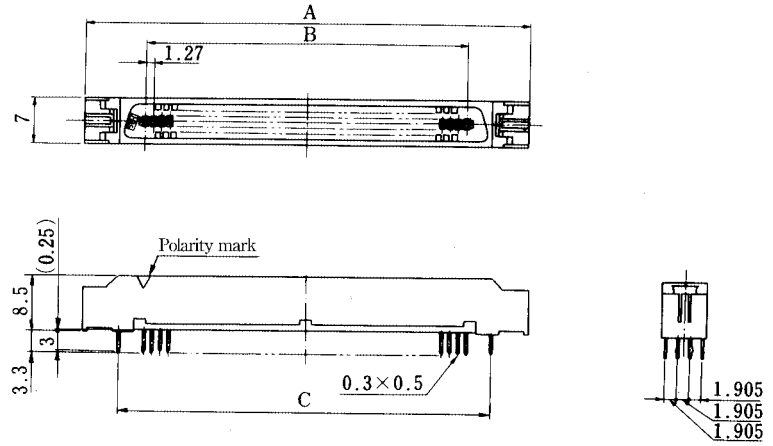
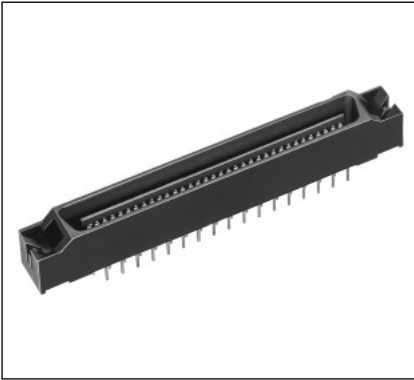
- Ⓐ a1 Ⓔ b1
- Ⓑ a2 Ⓕ b2
- Ⓒ $a\frac{n}{2}-1$ Ⓖ $b\frac{n}{2}-1$
- Ⓓ $a\frac{n}{2}$ Ⓖ $b\frac{n}{2}$

Unit: mm

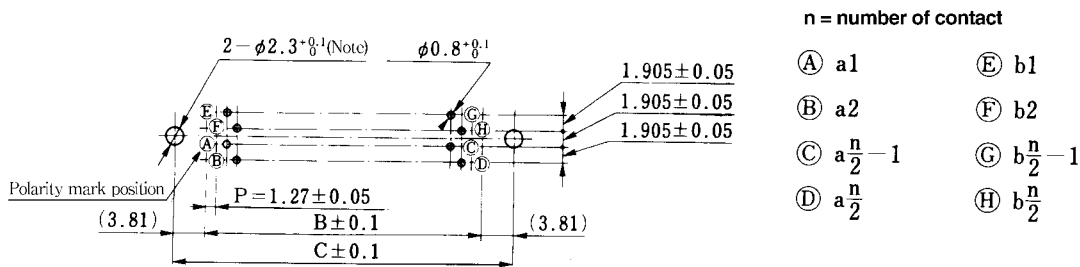
| Part Number | CL No. | Number of Contacts | A | B | C |
|--------------------|------------|--------------------|-------|-------|-------|
| FX2B- 20PA-1.27DS | 572-0721-7 | 20 | 30.33 | 11.43 | 18.05 |
| FX2B- 20PA-1.27DSL | 572-0771-5 | | | | |
| FX2B- 32PA-1.27DS | 572-0722-0 | 32 | 37.95 | 19.05 | 25.67 |
| FX2B- 32PA-1.27DSL | 572-0772-8 | | | | |
| FX2B- 40PA-1.27DS | 572-0723-2 | 40 | 43.03 | 24.13 | 30.75 |
| FX2B- 40PA-1.27DSL | 572-0773-0 | | | | |
| FX2B- 52PA-1.27DS | 572-0724-5 | 52 | 50.65 | 31.75 | 38.37 |
| FX2B- 52PA-1.27DSL | 572-0774-3 | | | | |
| FX2B- 60PA-1.27DS | 572-0725-8 | 60 | 55.73 | 36.83 | 43.45 |
| FX2B- 60PA-1.27DSL | 572-0775-6 | | | | |
| FX2B- 68PA-1.27DS | 572-0726-0 | 68 | 60.81 | 41.91 | 48.53 |
| FX2B- 68PA-1.27DSL | 572-0776-9 | | | | |
| FX2B- 80PA-1.27DS | 572-0727-3 | 80 | 68.43 | 49.53 | 56.15 |
| FX2B- 80PA-1.27DSL | 572-0777-1 | | | | |
| FX2B-100PA-1.27DS | 572-0728-6 | 100 | 81.13 | 62.23 | 68.85 |
| FX2B-100PA-1.27DSL | 572-0778-4 | | | | |

Header No Cleaning Type

●Straight Type for Lock



PCB mounting pattern



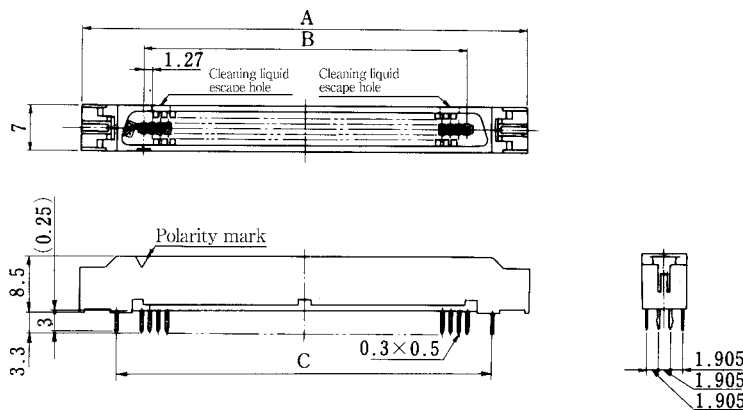
Note: Not required, unless the prefixed pin is attached.

Unit: mm

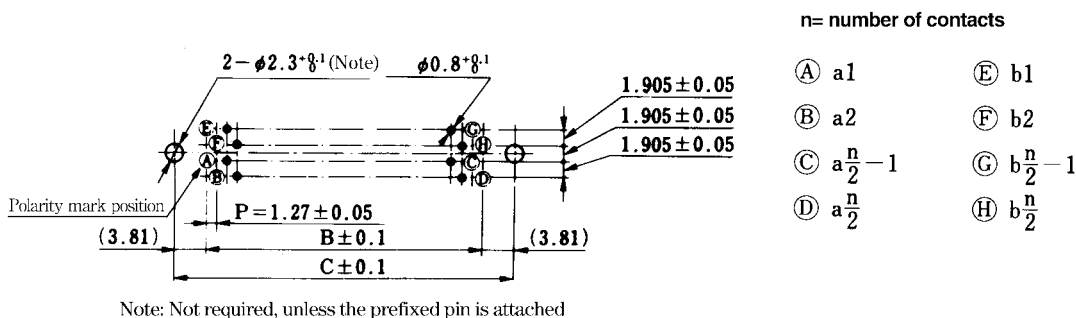
| Part Number | CL No. | Number of Contacts | A | B | C |
|---------------------|------------|--------------------|-------|-------|-------|
| FX2B- 20PA-1.27DSA | 572-0801-4 | 20 | 30.33 | 11.43 | — |
| FX2B- 20PA-1.27DSAL | 572-0851-2 | | | | 19.05 |
| FX2B- 32PA-1.27DSA | 572-0802-7 | 32 | 37.95 | 19.05 | — |
| FX2B- 32PA-1.27DSAL | 572-0852-5 | | | | 26.67 |
| FX2B- 40PA-1.27DSA | 572-0823-7 | 40 | 43.03 | 24.13 | — |
| FX2B- 40PA-1.27DSAL | 572-0873-5 | | | | 31.75 |
| FX2B- 52PA-1.27DSA | 572-0824-0 | 52 | 50.65 | 31.75 | — |
| FX2B- 52PA-1.27DSAL | 572-0874-8 | | | | 39.37 |
| FX2B- 60PA-1.27DSA | 572-0825-2 | 60 | 55.73 | 36.83 | — |
| FX2B- 60PA-1.27DSAL | 572-0875-0 | | | | 44.45 |
| FX2B- 68PA-1.27DSA | 572-0826-5 | 68 | 60.81 | 41.91 | — |
| FX2B- 68PA-1.27DSAL | 572-0876-3 | | | | 49.53 |
| FX2B- 80PA-1.27DSA | 572-0827-8 | 80 | 68.43 | 49.53 | — |
| FX2B- 80PA-1.27DSAL | 572-0877-6 | | | | 57.15 |
| FX2B-100PA-1.27DSA | 572-0828-0 | 100 | 81.13 | 62.23 | — |
| FX2B-100PA-1.27DSAL | 572-0878-9 | | | | 69.85 |

Header Cleaning Type

●Straight Type for Lock



PCB mounting pattern



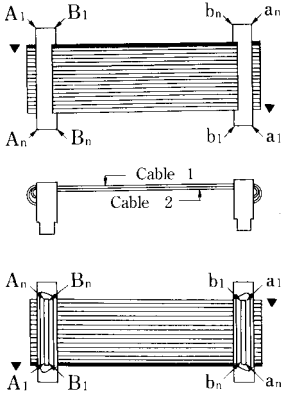
Unit: mm

| Part Number | CL No. | Number of Contacts | A | B | C |
|----------------------|------------|--------------------|-------|-------|-------|
| FX2BA- 20PA-1.27DSA | 572-0901-9 | 20 | 30.33 | 11.43 | — |
| FX2BA- 20PA-1.27DSAL | 572-0951-7 | | | | 19.05 |
| FX2BA- 32PA-1.27DSA | 572-0902-1 | 32 | 37.95 | 19.05 | — |
| FX2BA- 32PA-1.27DSAL | 572-0952-0 | | | | 26.67 |
| FX2BA- 40PA-1.27DSA | 572-0923-1 | 40 | 43.03 | 24.13 | — |
| FX2BA- 40PA-1.27DSAL | 572-0973-0 | | | | 31.75 |
| FX2BA- 52PA-1.27DSA | 572-0924-4 | 52 | 50.65 | 31.75 | — |
| FX2BA- 52PA-1.27DSAL | 572-0974-2 | | | | 39.37 |
| FX2BA- 60PA-1.27DSA | 572-0925-7 | 60 | 55.73 | 36.83 | — |
| FX2BA- 60PA-1.27DSAL | 572-0975-5 | | | | 44.45 |
| FX2BA- 68PA-1.27DSA | 572-0926-0 | 68 | 60.81 | 41.91 | — |
| FX2BA- 68PA-1.27DSAL | 572-0976-8 | | | | 49.53 |
| FX2BA- 80PA-1.27DSA | 572-0927-2 | 80 | 68.43 | 49.53 | — |
| FX2BA- 80PA-1.27DSAL | 572-0977-0 | | | | 57.15 |
| FX2BA-100PA-1.27DSA | 572-0928-5 | 100 | 81.13 | 62.23 | — |
| FX2BA-100PA-1.27DSAL | 572-0978-3 | | | | 69.85 |

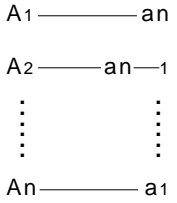
◆ Connection Circuit Diagram

$$n = \frac{\text{Number of Contacts}}{2}$$

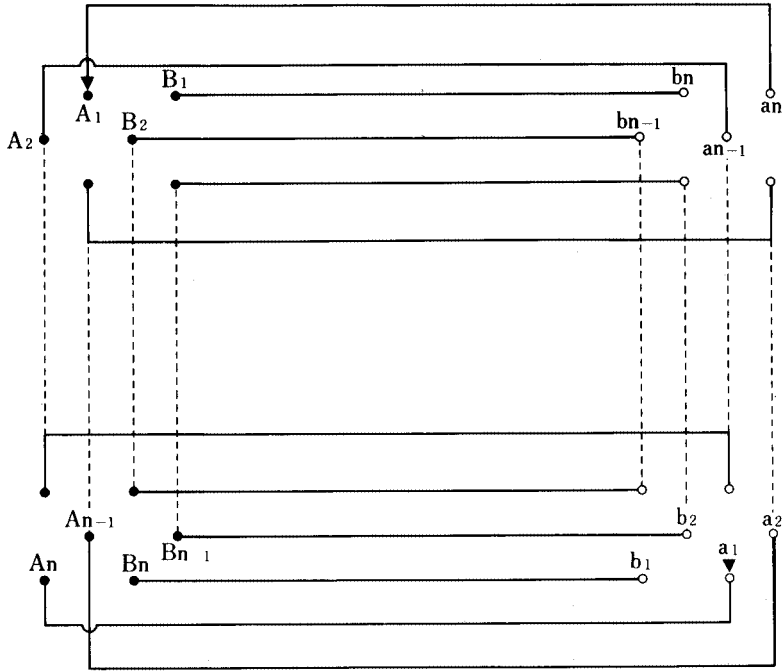
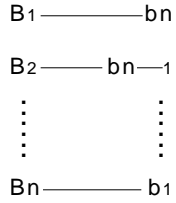
Type A, B



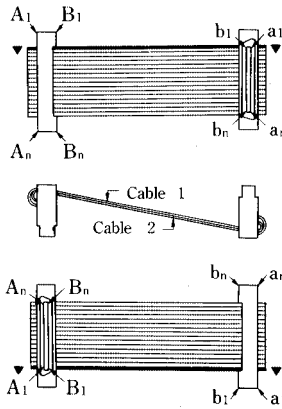
Connection to Cable 1



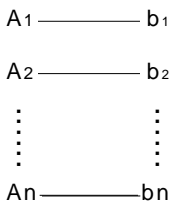
Connection to Cable 2



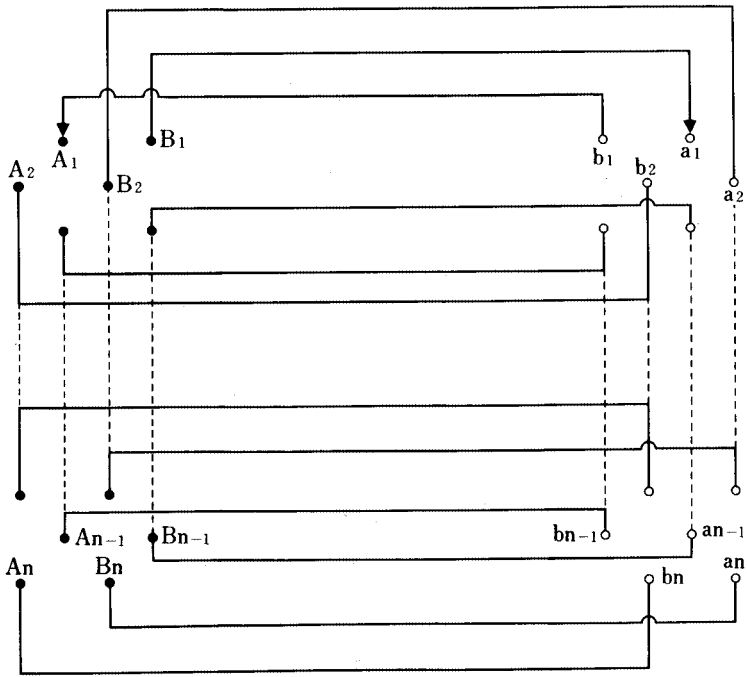
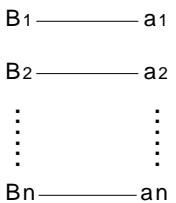
Type A, A



Connection to Cable 1



Connection to Cable 2



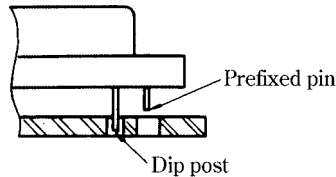
◆ Connector Use Hand book

1. Selecting connector

- ① The FX2 series is the perfect flux tight connector for the straight type in the soldering process, but it depends on the soldering process whether non-cleaning type (FX2C-*, FX2B-*) or cleaning type (FX2CA-*, FX2BA-*) should be selected. Please be sure to clean the right angle type (FX2-*, FX2B-*) connector. To clean the connector, please be sure to use detergent, containing no contaminant.
- ② To use the socket cable type, if a vibration or shock load is applied to the cable, select the lock type. In addition, if a load is applied to the cable, please be sure to use the cable clamp.

2. Prefixed Process to Board

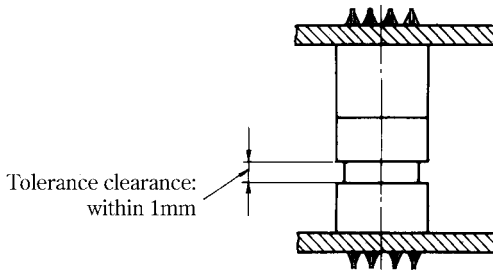
If the prefixed process is required for mounting the board, please use the prefixed pin type. (Applicable board thickness $t = 1.6 \pm 0.1$)



Note: In order to prevent the dip post breakage in the connector installation to the board, please insert the board in parallel to the connector so that the prefixed pin may be forcibly pushed in, after the dip post is guided to the board through-hole.

3. Mating Side Tolerance Clearance

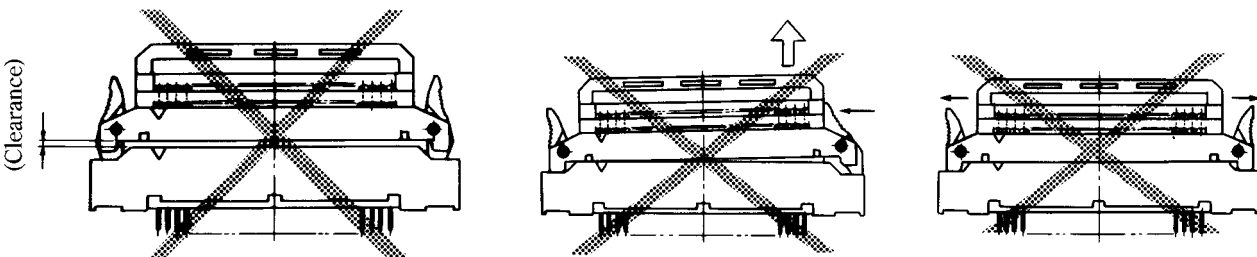
(Example) FX2C-*P-1.27DSA and FX2C-*S-1.27DSA



Set the tolerance clearance within 1mm to mate the male and female connectors.
(Except for the lock cable type)

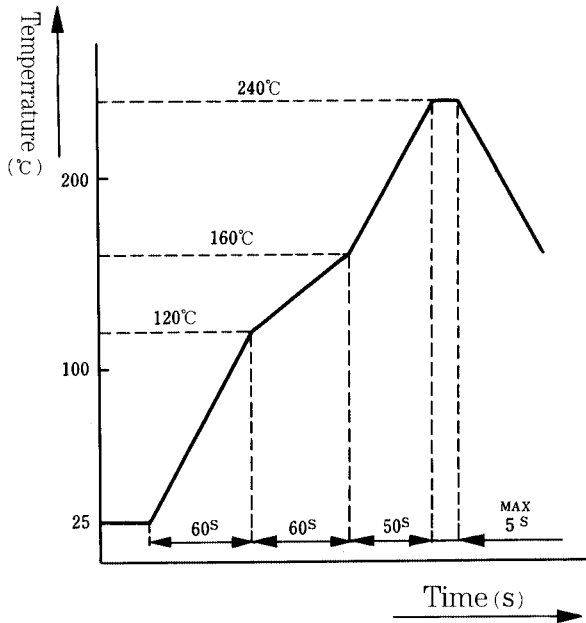
4. Cautions: for Using Lock Cable Type

- ① When the connector is mated, insert the connector by the end so as not to make a clearance.
- ② When the connector is inserted or extracted, please insert or extract the connector after the both lock levers are laid inside. If the connector is inserted or extracted with either lock lever laid, the connector may be broken.
- ③ please do not open the lock lever outside.



5. SMT Type Connector Mounting Temperature Profile (Reference)

● IR Reflow



Applicable Conditions

| | |
|----------------------|---|
| Reflow system | : IR reflow |
| Solder | : Paste type 63 Sn/37 Pb (Flux content 11 wt%) |
| Test board | : Glass epoxy 110mm x 40mm x 1.6 mm |
| Metal mask thickness | : 0.2 mm (Straight type) 0.15mm (Right angle type) |

Recommended temperature profile.

The temperature may be slightly changed according to the solder paste type and amount.

6. SMT Type Connector mated height

As shown in the application pattern, the mated height of the male/female connector doesn't contain the solder paste thickness. Thus, after the connector installation in the board, consider that the mated height will be widened in proportion to the solder paste thickness.