

SPECIFICATIONS

MATERIAL AND FINISH:

Insulator:
 Material: Liquid Crystal Polymer (LCP)
 Rating: UL 94V-0 Color Black

Contacts:
 Material: Phosphor Bronze Alloy
 Plating: Gold over Nickel on contact
 Tin/Lead on PC Terminal

Ejector:

Material: 6T Nylon
 Rating: UL 94V-0 Color Natural

MECHANICAL SPECIFICATIONS:

Operating Temperature: -55°C to +105°C

ELECTRICAL SPECIFICATIONS:

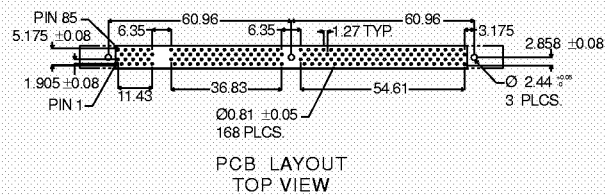
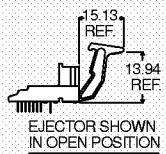
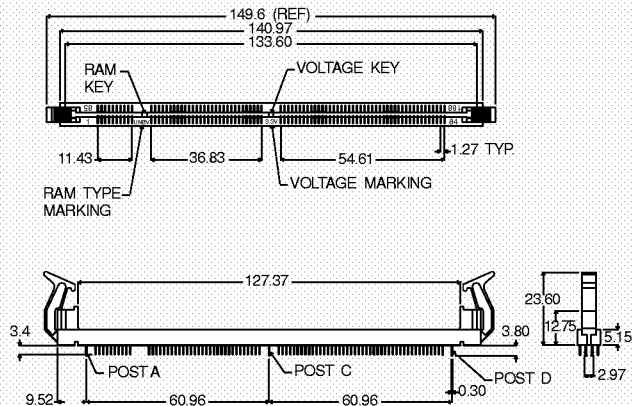
Insulation Resistance: 10000 megaohm min.
 Withstanding Voltage: 1000 VAC RMS min.

D.I.M.M.

DIMM-168-A-G



D.I.M.M. SOCKET



Specifications subject to change without notice. Dimensions in mm.

