



Standard LED Lamps Round Types

Package	Part No.	Chip		Lens Appearance	Absolute Maximum Ratings				Electro-optical Data(At 20mA)			Viewing Angle 2 θ 1/2 (deg)	Drawing No.
		Material/ Emitted Color	Peak Wave Length λ p (nm)		Δλ (nm)	Pd (mw)	If (mA)	Peak (mA)	Vf (V)		Iv (mcd)		
									Typ	Max	Typ.		
T-1 1.0" Lead 3.55φ	BL-B51V1T	GaP/GaP/ Bright Red	700	Red Diffused	90	40	15	50	2.2	2.6	6.0	35	L-032
	BL-B45V1T	GaAsP/GaP/ Hi-Eff Red	635		45	80	30	150	2.0	2.6	70.0		
	BL-B21V1T	GaP/GaP/ Green	568	Green Diffused	30	80	30	150	2.2	2.6	70.0		
	BL-B31V1T	GaAsP/GaP/ Yellow	585	Yellow Diffused	35	80	30	150	2.1	2.6	60.0		
	BL-B24V1T	GaP/GaP/ Green	568	Green Trans	30	80	30	150	2.2	2.6	120.0		
	BL-B34V1T	GaAsP/GaP/ Yellow	585	Yellow Trans	35	80	30	150	2.1	2.6	100.0	30	
T-1 Flangeless 1.0"Lead 2.9φ	BL-B51V1V	GaP/GaP/ Bright Red	700	Red Diffused	90	40	15	50	2.2	2.6	8.0	45	L-033
	BL-B45V1V	GaAsP/GaP/ Hi-Eff Red	635		45	80	30	150	2.0	2.6	20.0		
	BL-B21V1V	GaP/GaP/ Green	568	Green Diffused	30	80	30	150	2.2	2.6	20.0		
	BL-B31V1V	GaAsP/GaP/ Yellow	585	Yellow Diffused	35	80	30	150	2.1	2.6	15.0		
	BL-B24V1V	GaP/GaP/ Green	568	Green Trans	30	80	30	150	2.0	2.6	100		
	BL-B46V1V	GaAsP/GaP/ Hi-Eff Red	635	Red Trans	45	80	30	150	2.0	2.6	100	35	
T-1 1.0"Lead 3.0φ	BL-B51V1X	GaP/GaP/ Bright Red	700	Red Diffused	90	40	15	50	2.2	2.6	8.0	40	L-034
	BL-B45V1X	GaAsP/GaP/ Hi-Eff Red	635		45	80	30	150	2.0	2.6	25.0		
	BL-B21V1X	GaP/GaP/ Green	568	Green Diffused	30	80	30	150	2.2	2.6	25.0		
	BL-B31V1X	GaAsP/GaP/ Yellow	585	Yellow Diffused	35	80	30	150	2.1	2.6	20.0		
	BL-B24V1X	GaP/GaP/ Hi-Eff Green	568	Green Trans	30	80	30	150	2.0	2.6	100		
T-1 1.0"Lead 3.0φ	BL-B43V1Z	GaAsP/GaP/ Orange	635	Water Clear	45	80	30	150	2.0	2.6	100	35	L-035
	BL-B23V1Z	GaP/GaP/ Green	568		30	80	30	150	2.0	2.6	100		
	BL-B33V1Z	GaAsP/GaP / Yellow	585	35	80	30	150	2.1	2.6	80			
	BL-B44V1Z	GaAsP/GaP/ Orange	635	Orange Trans	45	80	30	150	2.0	2.6	100		
	BL-B24V1Z	GaP/GaP/ Green	568	Green Trans	30	80	30	150	2.0	2.6	100		
Standard 1.0" Lead 4.0φ	BL-B5132	GaP/GaP/ Bright Red	700	Red Diffused	90	40	15	50	2.2	2.6	12.0	55	L-036
	BL-B4532	GaAsP/GaP/ Hi-Eff Red	635		45	80	30	150	2.0	2.6	70.0		
	BL-B2132	GaP/GaP/ Green	568	Green Diffused	30	80	30	150	2.2	2.6	70.0		
	BL-B3132	GaAsP/GaP/ Yellow	585	Yellow Diffused	35	80	30	150	2.1	2.6	60.0		
	BL-B4132	GaAsP/GaP/ Orange	635	Orange Diffused	45	80	30	150	2.0	2.6	70.0		
	BL-B4632	GaAsP/GaP/Hi-Eff Red	635	Red Trans	45	80	30	150	2.0	2.6	120.0	35	
Medium Profile Flangeless 1.0" Lead 4.7φ	BL-B4533	GaAsP/GaP/ Hi-Eff Red	635	Red Diffused	45	80	30	150	2.0	2.6	80.0	40	L-037
	BL-B2133	GaP/GaP/ Green	568	Green Diffused	30	80	30	150	2.2	2.6	80.0		
	BL-B3133	GaAsP/GaP/ Yellow	585	Yellow Diffused	35	80	30	150	2.1	2.6	70.0		
	BL-B4133	GaAsP/GaP/ Orange	635	Orange Diffused	45	80	30	150	2.0	2.6	80.0		
	BL-B3333	GaAsP/GaP/ Yellow	585	Water Clear	35	80	30	150	2.1	2.6	100.0		
	BL-B2333	GaP/GaP/ Green	568		30	80	30	150	2.2	2.6	130.0		
	BL-B4333	GaAsP/GaP/ Orange	635	45	80	30	150	2.0	2.6	130.0			
Medium Profile Flangeless 1.0" Lead 4.8φ	BL-B5133N	GaP/GaP/ Bright Red	700	Red Diffused	90	40	15	50	2.2	2.6	25.0	40	L-038
	BL-B4533N	GaAsP/GaP/ Hi-Eff Red	635		45	80	30	150	2.0	2.6	80.0		
	BL-B2133N	GaP/GaP/ Green	568	Green Diffused	30	80	30	150	2.2	2.6	80.0		
	BL-B3133N	GaAsP/GaP/ Yellow	585	Yellow Diffused	35	80	30	150	2.1	2.6	70.0		
	BL-B2433N	GaP/GaP/ Green	568	Green Trans	30	80	30	150	2.2	2.6	130.0		
	BL-B3433N	GaAsP/GaP/ Yellow	585	Yellow Trans	35	80	30	150	2.1	2.6	100.0	35	
T-1 1.0" Lead 3φ	BL-B51V5D	GaP/GaP/ Bright Red	700	Red Diffused	90	40	15	50	2.2	2.6	8.0	40	L-039
	BL-B45V5D	GaAsP/GaP/ Hi-Eff Red	635		45	80	30	150	2.0	2.6	30.0		
	BL-B21V5D	GaP/GaP/ Green	568	Green Diffused	30	80	30	150	2.2	2.6	30.0		
	BL-B31V5D	GaAsP/GaP/ Yellow	585	Yellow Diffused	35	80	30	150	2.1	2.6	25.0		
	BL-B24V5D	GaP/GaP/ Green	568	Green Trans	30	80	30	150	2.2	2.6	80.0		
	BL-B34V5D	GaAsP/GaP/ Yellow	585	Yellow Trans	35	80	30	150	2.1	2.6	60.0		
	BL-B46V5D	GaAsP/GaP/ Hi-Eff Red	635	Red Trans	45	80	30	150	2.0	2.6	80.0	35	

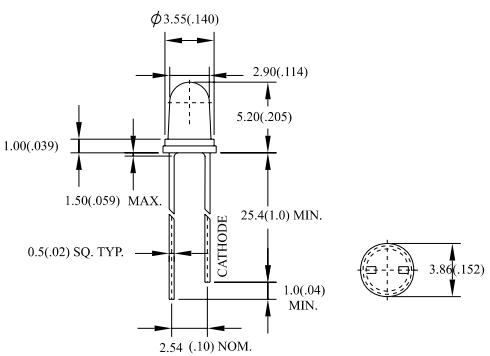
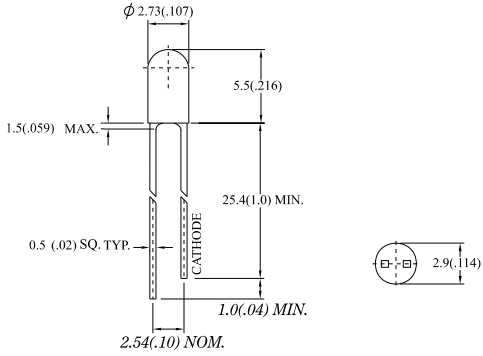
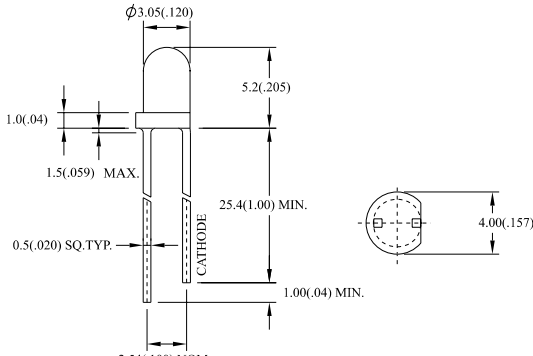
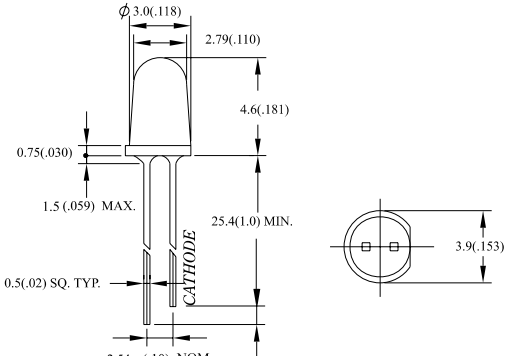
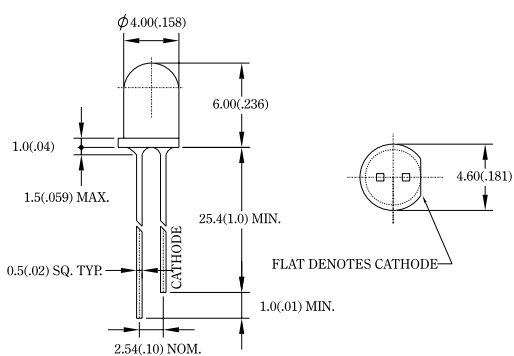
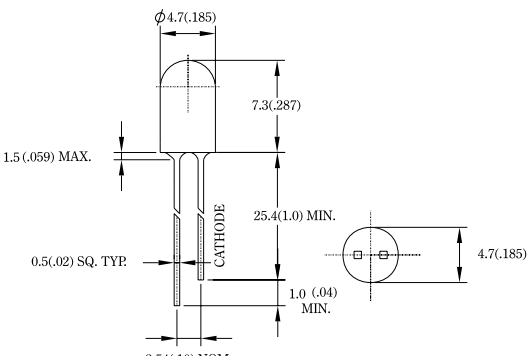
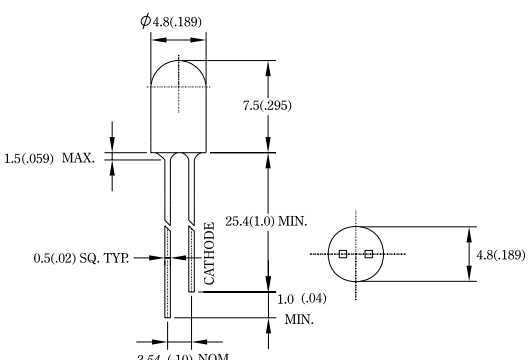
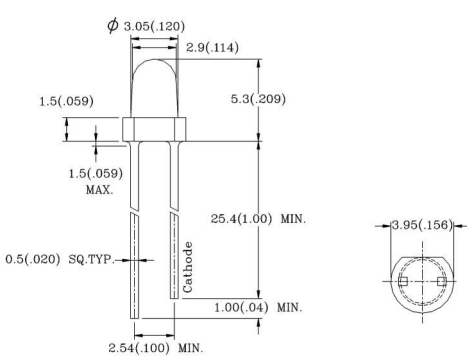
Remark : 1.Hi-Eff Red / High-Efficiency Red.

2. Trans / Transparent.

3. 20 1/2 The off-axis angle at which the luminous intensity is half the axial luminous intensity.



Standard LED Lamps Round Types

L-032 BL-BxxV1T Series	L-033 BL-BxxV1V Series
	
L-034 BL-BxxV1X Series	L-035 BL-BxxV1Z Series
	
L-036 BL-Bxx32 Series	L-037 BL-Bxx33 Series
	
L-038 BL-Bxx33N Series	L-039 BL-BxxV5D Series
	

Notes 1. All Dimensions are in millimeters (inches).
2. Tolerance is $\pm 0.25\text{mm}$ (.010").