

9 5 1 - 4 X 0 Q - X X X

XCede BACKPLANE MODULE MALE STANDARD LOAD

4 PAIR

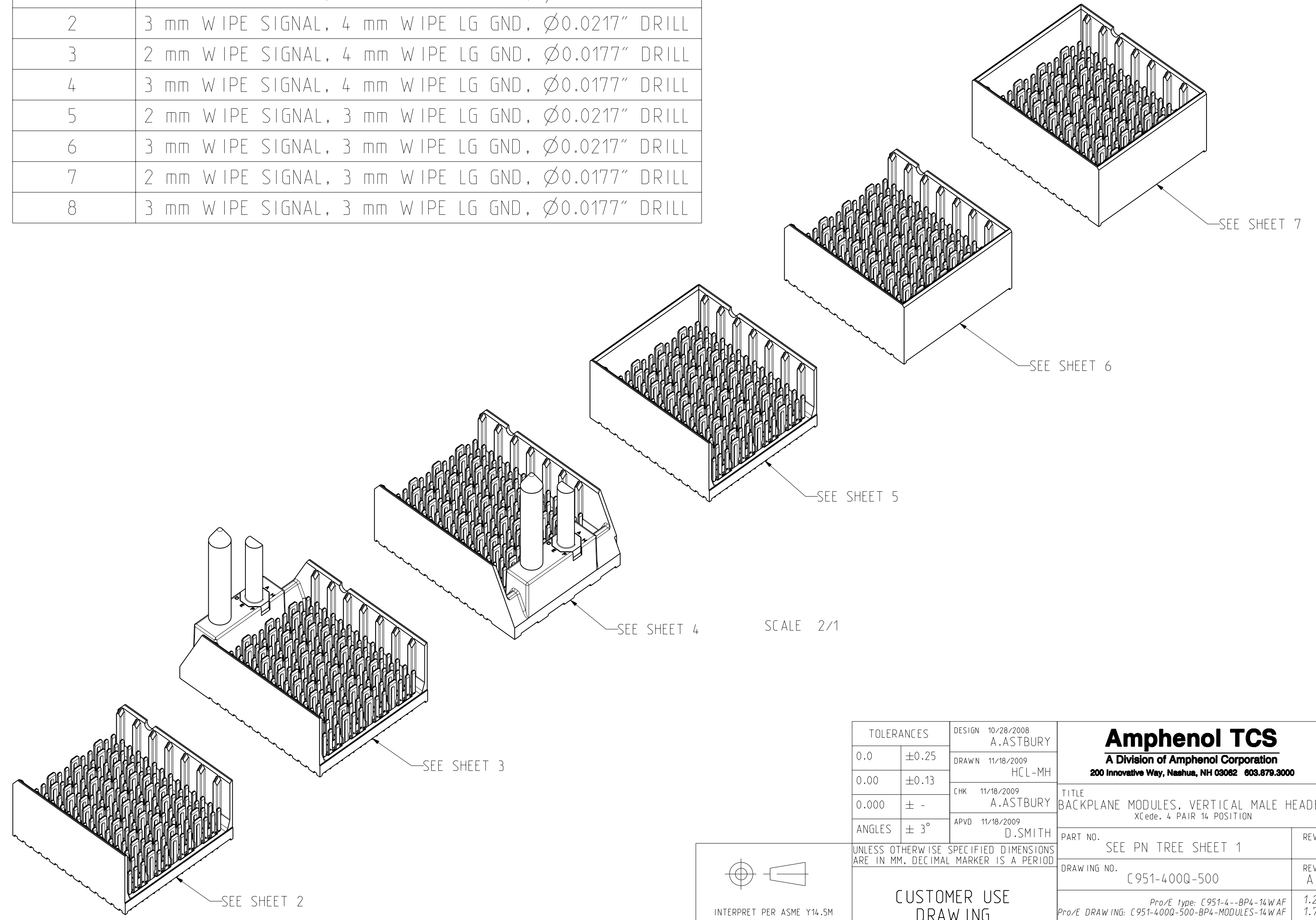
14-POSITION

LETTER	PLATING
B	30 MICROINCH GOLD
C	50 MICROINCH GOLD
D	30 MICROINCH GOLD, LEADFREE
E	50 MICROINCH GOLD, LEADFREE

NUMBER	PIN STYLE, HEIGHT
0	GUIDE PIN MACHINED, 31.6mm / NONE
1	GUIDE PIN ROLLED, 31.6mm
4	GUIDE PIN MACHINED, 25.7mm
5	GUIDE PIN ROLLED, 25.7mm

NUMBER	SIGNAL & LG. GROUND WIPE LENGTH, COMPLIANT PIN SIZE
1	2 mm WIPE SIGNAL, 4 mm WIPE LG GND, Ø0.0217" DRILL
2	3 mm WIPE SIGNAL, 4 mm WIPE LG GND, Ø0.0217" DRILL
3	2 mm WIPE SIGNAL, 4 mm WIPE LG GND, Ø0.0177" DRILL
4	3 mm WIPE SIGNAL, 4 mm WIPE LG GND, Ø0.0177" DRILL
5	2 mm WIPE SIGNAL, 3 mm WIPE LG GND, Ø0.0217" DRILL
6	3 mm WIPE SIGNAL, 3 mm WIPE LG GND, Ø0.0217" DRILL
7	2 mm WIPE SIGNAL, 3 mm WIPE LG GND, Ø0.0177" DRILL
8	3 mm WIPE SIGNAL, 3 mm WIPE LG GND, Ø0.0177" DRILL

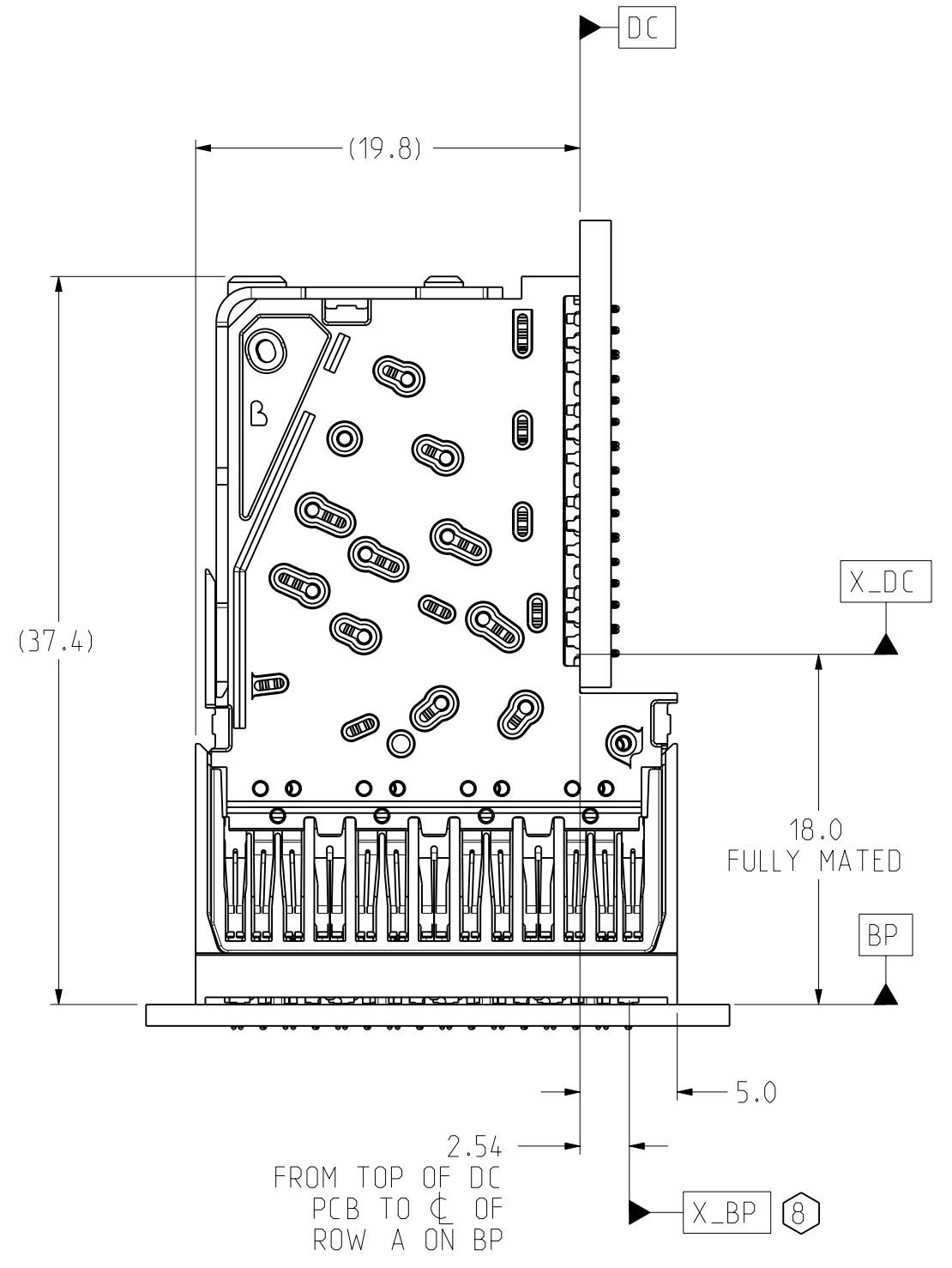
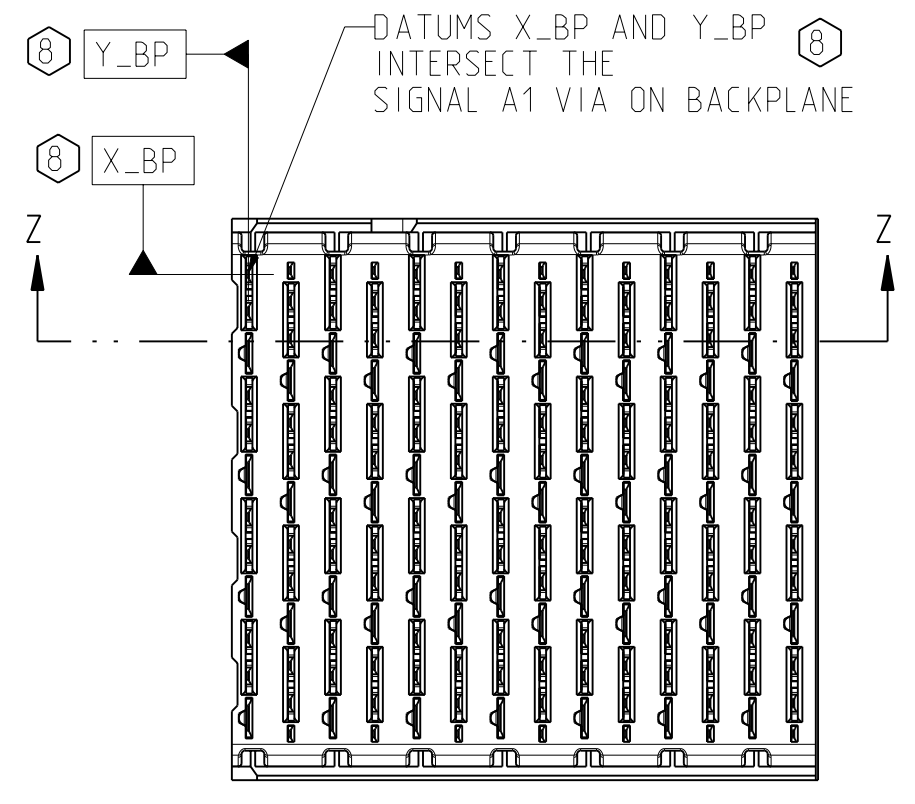
	LETTER									
LEFT POLARIZING GUIDANCE (SEE SHEET 3)	N	J (NO KEY)	A	B	C	D	E	F	G	H
	NO KEY NO GUIDEPIN									
RIGHT POLARIZING GUIDANCE (SEE SHEET 4)	Z	Y (NO KEY)	P	Q	R	S	T	U	V	W
	NO KEY NO GUIDEPIN									
OPEN (SEE SHEET 2)	O (ZERO)									
LEFT WALL (SEE SHEET 5)	L									
RIGHT WALL (SEE SHEET 6)	M									
TWO WALL (SEE SHEET 7)	1									



- NOTES:
- REFER TO TB-2150 FOR XCede PRODUCT SPECIFICATIONS.
  - NOTCH DESIGNATES "ROW A" SIDE OF SHROUD. NOTCH FEATURE ON OPPOSITE SIDE FROM PART MARKING.
  - PART MARKING AS FOLLOWS:  
 LINE 1: "AMPHENOL TCS" AND DATECODE (AMPHENOL TCS YYWW).  
 LINE 2: MODULE PART NUMBER (951-####-###).  
 LINE 3: WORK ORDER NUMBER (###\*#####).  
 WHERE "\*" DENOTES MANUFACTURING LOCATION.
  - PLATING THICKNESS OF SIGNAL CONTACT AND GROUND CONTACT IS DETERMINED BY PLATING CODE. SEE PART NUMBER TREE SHEET 1.
  - REPAIR PROCEDURE FOR MODULE. SEE TB-2210.
  - SEE TB-2149 FOR ROUTING GUIDELINES & PTH REQ'S.
  - SEE DOC C190-1001-000 FOR TOOLING KEEPOUT ZONES.
  - BACKPLANE DATUM REFERENCE.
  - OPTIONAL HOLE/MOUNTING SCREW LOCATION FOR GROUNDED PIN OR ADDITIONAL GUIDE PIN SUPPORT.  
 REFER TO TB-2211 FOR PROPER GUIDE PIN SELECTION AND DRAWING C942-4010-000 FOR OPTIONAL HOLE DETAILS.  
 ONLY APPLIES FOR MACHINED GUIDE PIN APPLICATIONS.
  - DIMENSIONS APPLY FOR BOTH COMPLIANT PIN SIZES.

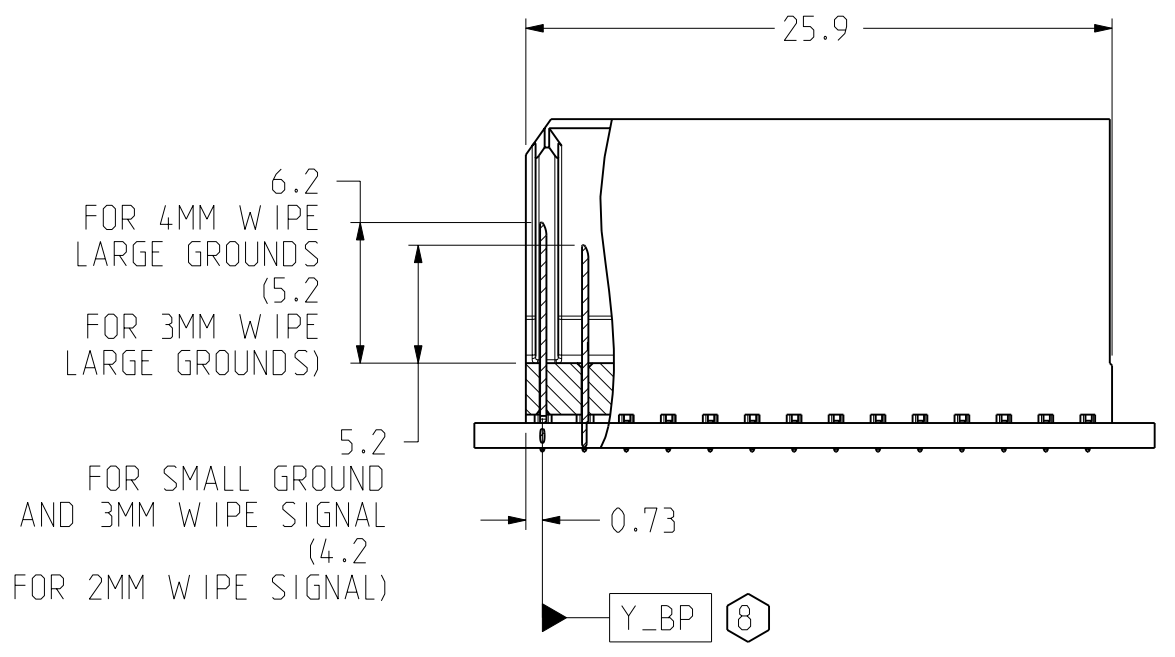
TOLERANCES		DESIGN 10/28/2008 A.ASTBURY	<b>Amphenol TCS</b> A Division of Amphenol Corporation 200 Innovative Way, Nashua, NH 03062 603.879.3000
0.0	±0.25	DRAWN 11/18/2009 HCL-MH	
0.00	±0.13	CHK 11/18/2009 A.ASTBURY	
0.000	± -	APVD 11/18/2009 D.SMITH	
ANGLES ± 3°		TITLE BACKPLANE MODULES, VERTICAL MALE HEADER XCede, 4 PAIR 14 POSITION	
UNLESS OTHERWISE SPECIFIED DIMENSIONS ARE IN MM. DECIMAL MARKER IS A PERIOD		PART NO. SEE PN TREE SHEET 1	
INTERPRET PER ASME Y14.5M CODE IDENT 31413		DRAWING NO. C951-400Q-500	
CUSTOMER USE DRAWING		REV A	
SIZE D	SCALE 3/1	SHEET 1 OF 8	

ZONE	REV	SCR NUMBER	DESCRIPTION	BY	DATE	APPROVED
			SEE SHEET 1			

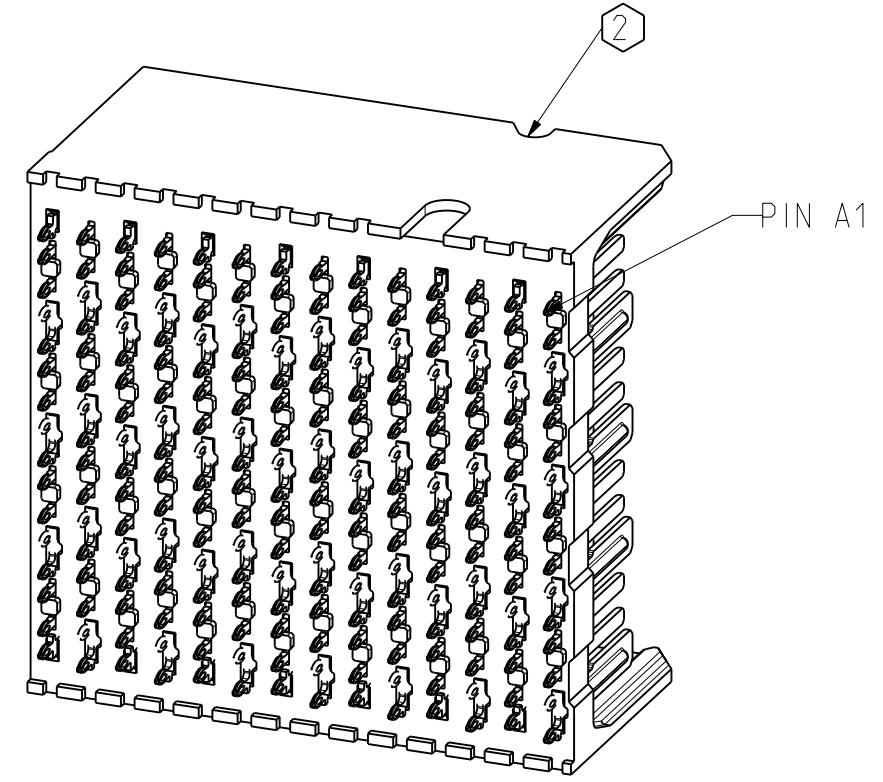
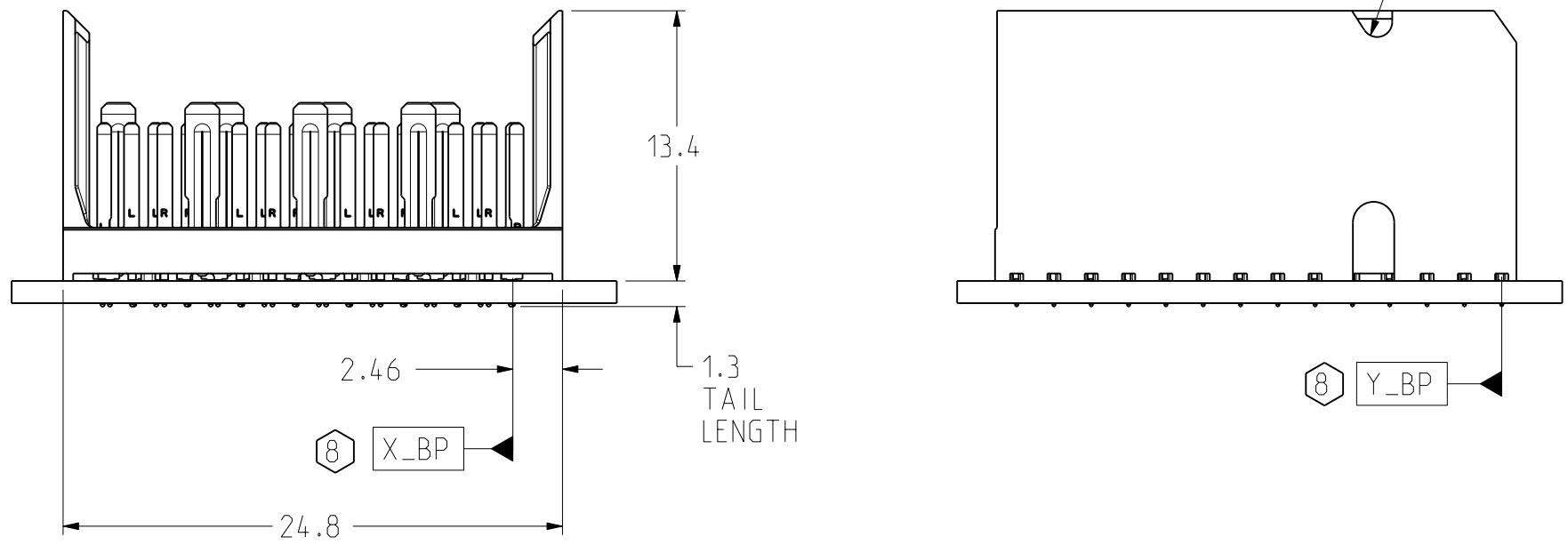


CONNECTOR REFERENCE SCALE 3/1

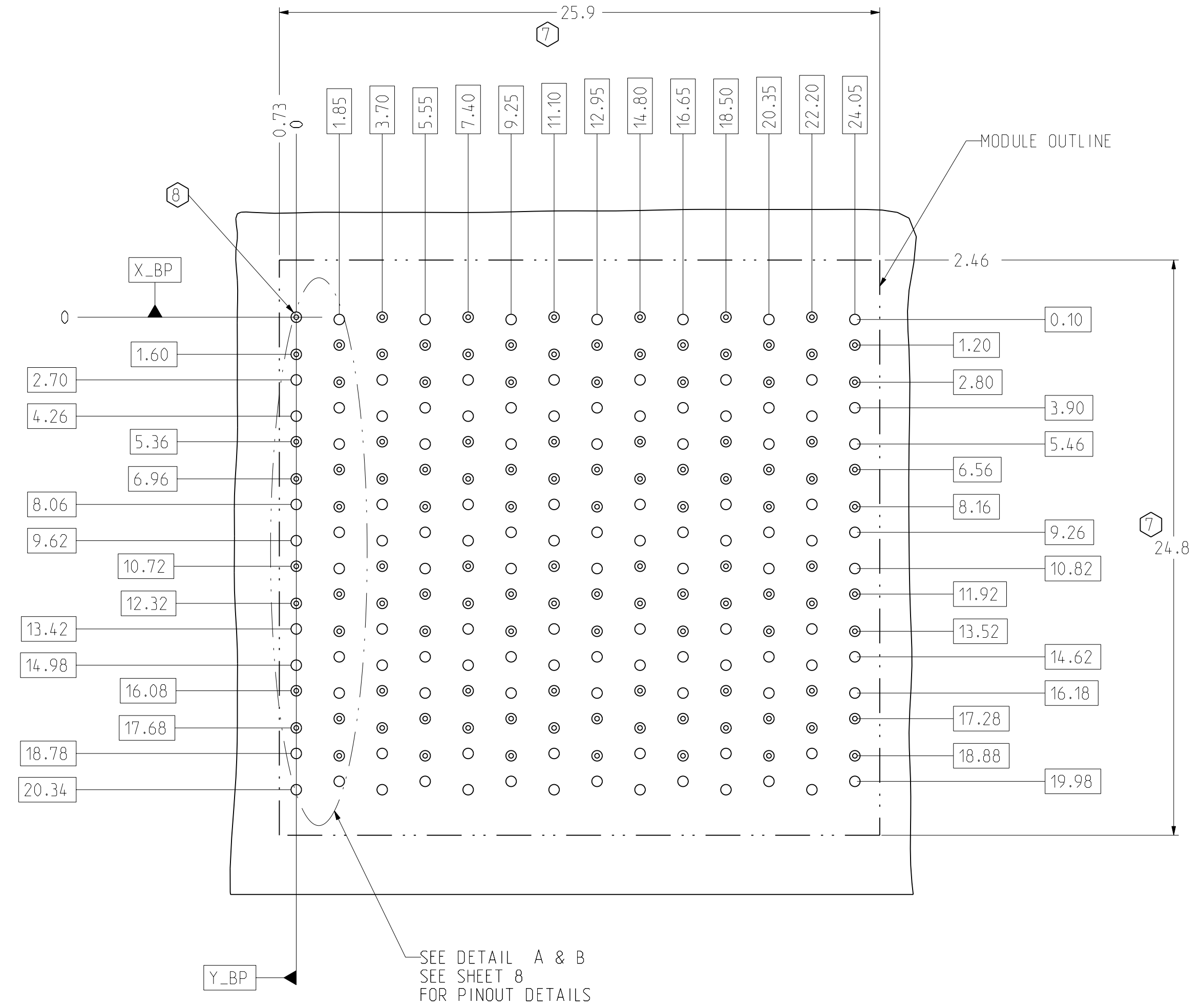
OPEN BACKPLANE MODULE DIMENSION



SECTION\_Z-Z



ISOMETRIC VIEW SCALE 3/1



SEE DETAIL A & B SEE SHEET 8 FOR PINOUT DETAILS

BP HOLE PATTERN COMPONENT SIDE SCALE 6/1

OPEN BACKPLANE FOOTPRINT

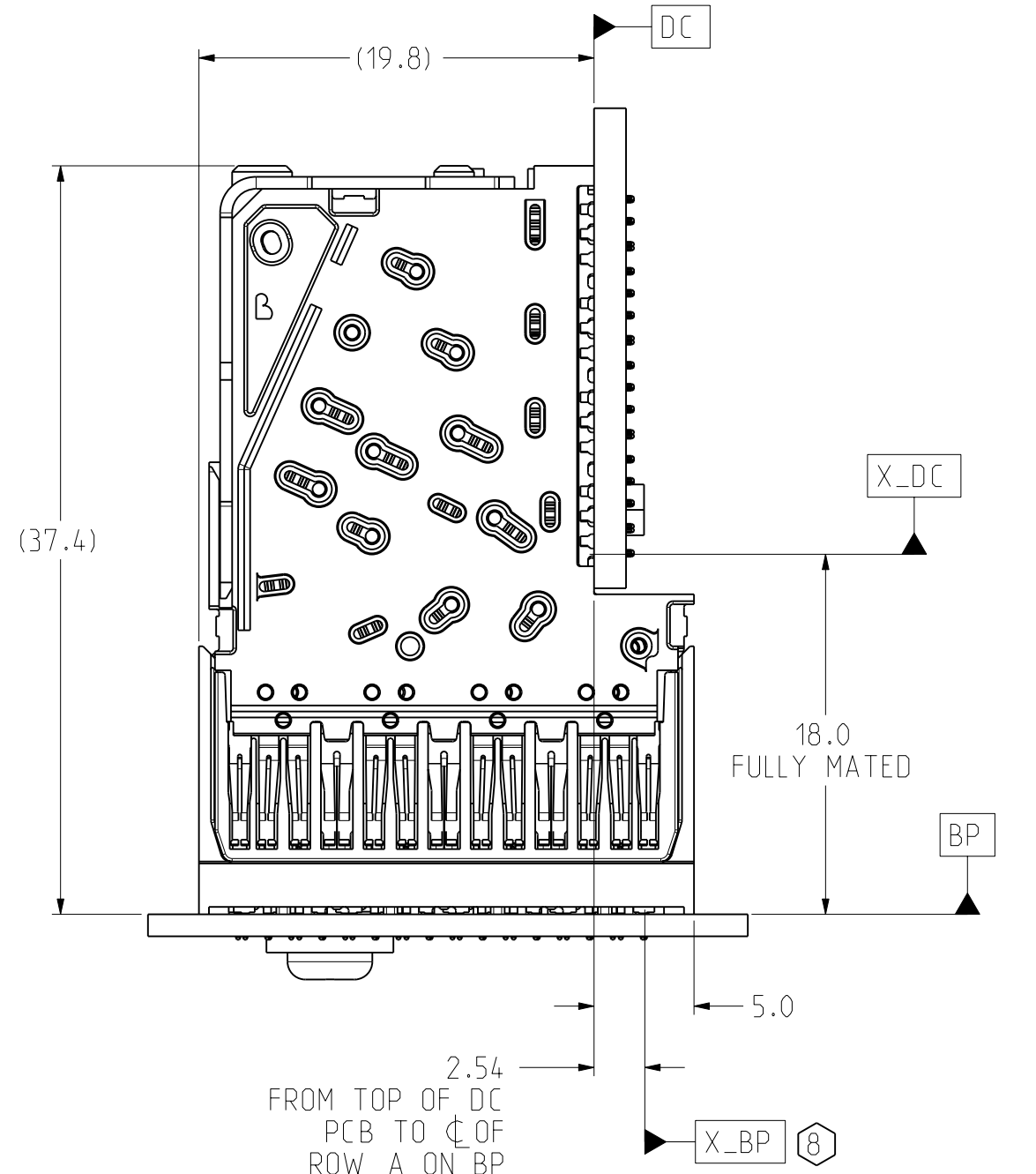
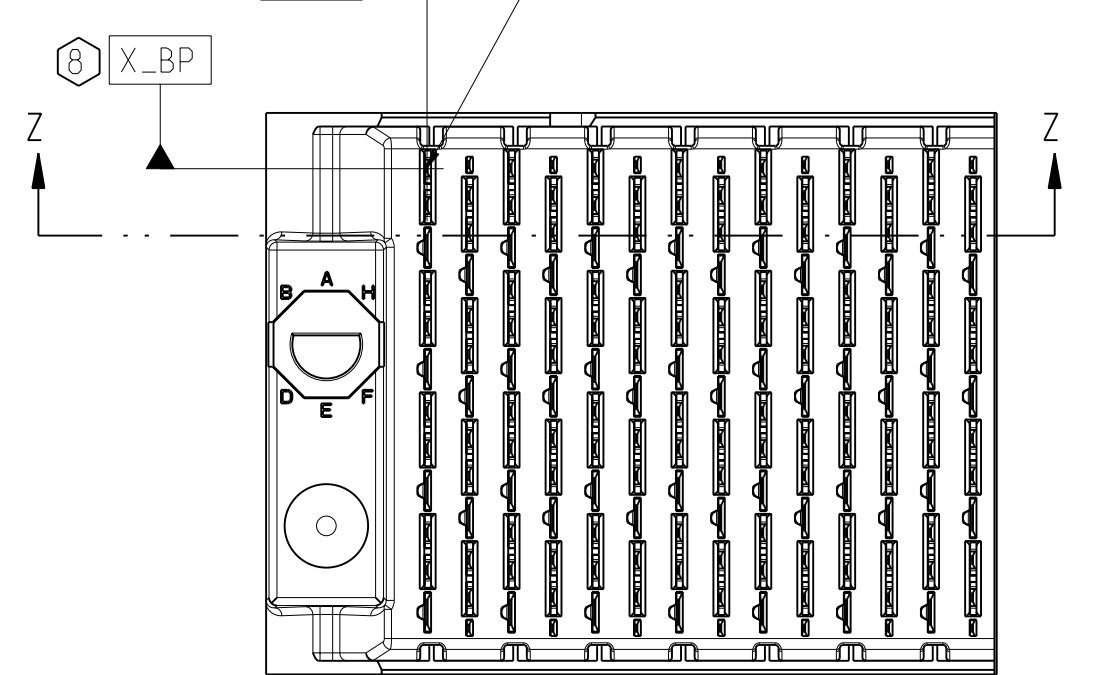
TOLERANCES		DESIGN	Amphenol TCS	
0.0	±0.25	10/28/2008	A Division of Amphenol Corporation	
0.00	±0.13	A.ASTBURY	200 Innovative Way, Nashua, NH 03062 603.879.3000	
0.000	± -	11/18/2009	TITLE BACKPLANE MODULES, VERTICAL MALE HEADER XCELE, 4 PAIR 14 POSITION	
ANGLES	± 3°	CHK 11/18/2009	PART NO. SEE PN TREE SHEET 1	
UNLESS OTHERWISE SPECIFIED DIMENSIONS ARE IN MM. DECIMAL MARKER IS A PERIOD.		A.ASTBURY	DRAWING NO. C951-400Q-500	
INTERPRET PER ASME Y14.5M		D.SMITH	PRO/E TYPE: C951-4-BP4-14WAF	
CODE IDENT 31413		APVD 11/18/2009	PRO/E DRAWING: C951-400Q-500-BP4-MODULES-14WAF	
CUSTOMER USE DRAWING			SIZE D SCALE 3/1 SHEET 2 OF 8	

DRW NO. C951-400Q-500

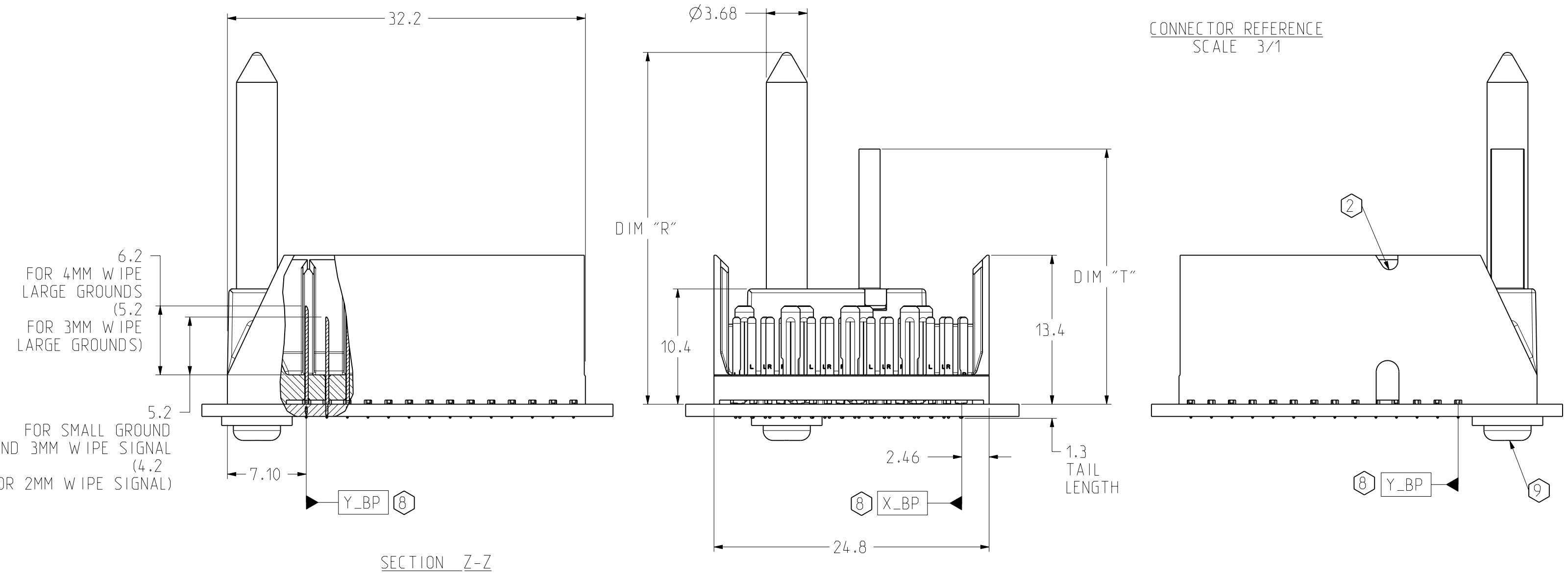
SH 2 REV A

ZONE	REV	SCR NUMBER	DESCRIPTION	BY	DATE	APPROVED
			SEE SHEET 1			

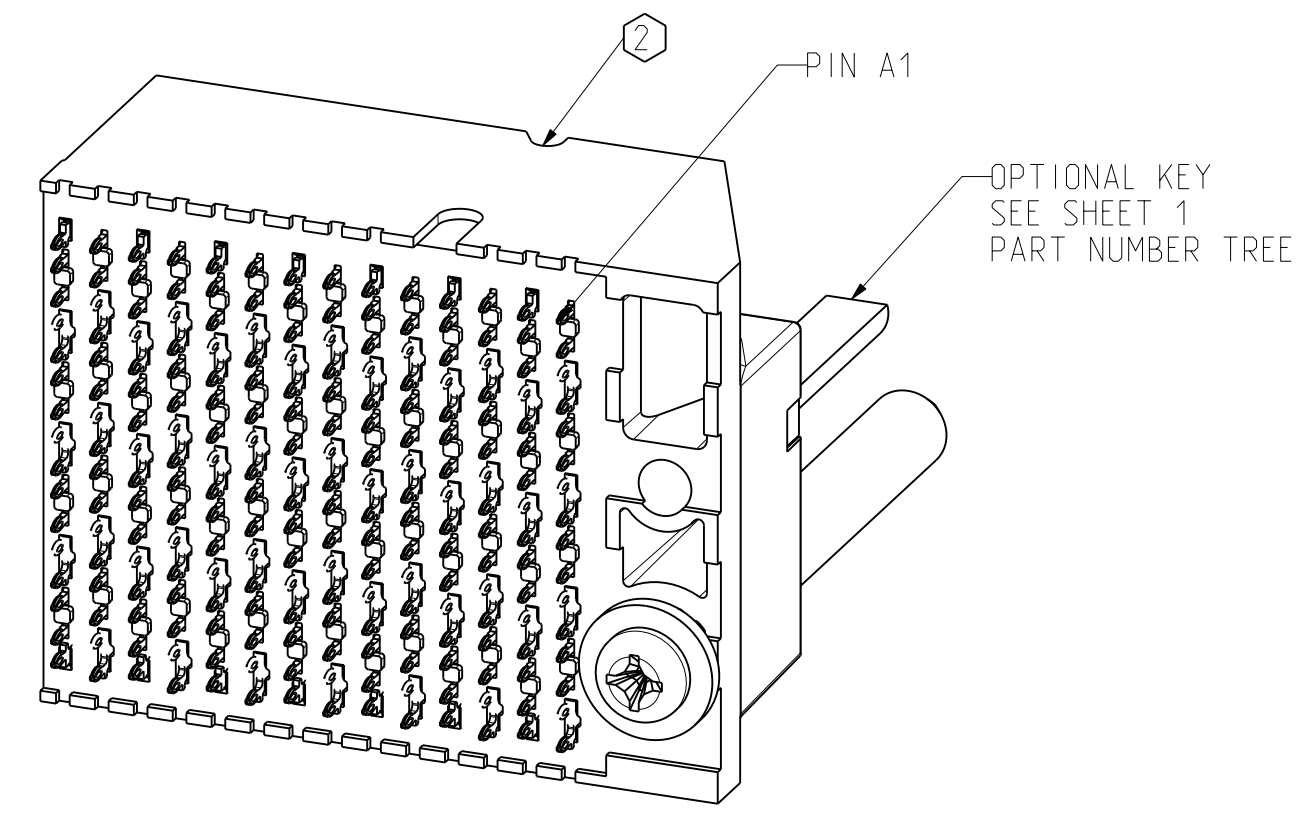
DATUMS X\_BP AND Y\_BP INTERSECT THE SIGNAL A1 VIA ON BACKPLANE



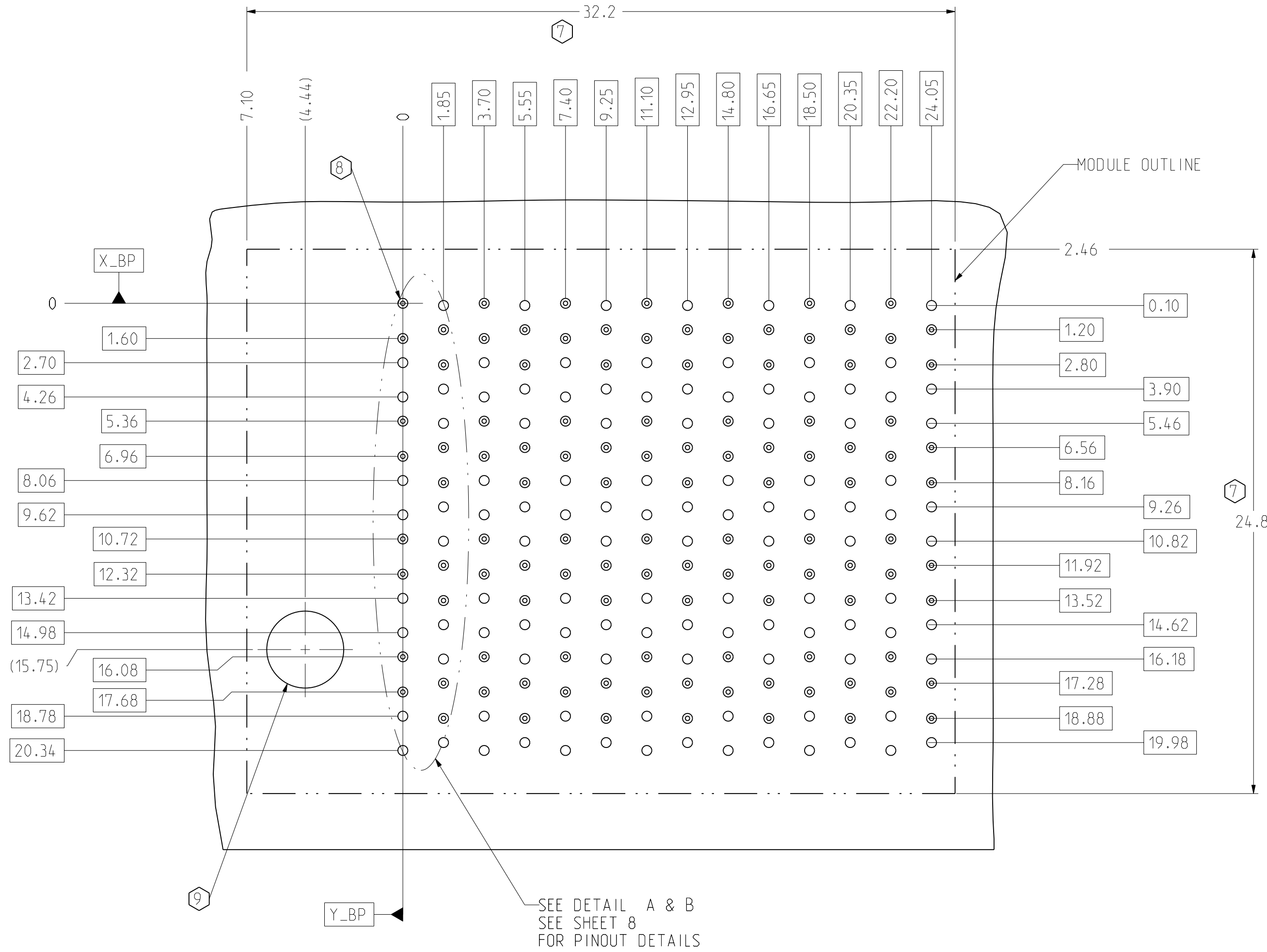
LEFT POLARIZING/GUIDE BACKPLANE MODULE DIMENSION



CONNECTOR REFERENCE SCALE 3/1



PART NUMBER	DIM "R"	DIM "T"
951-4X0Q-X 0 X 951-4X0Q-X 1 X	31.6	23.0
951-4X0Q-X 4 X 951-4X0Q-X 5 X	25.7	20.2



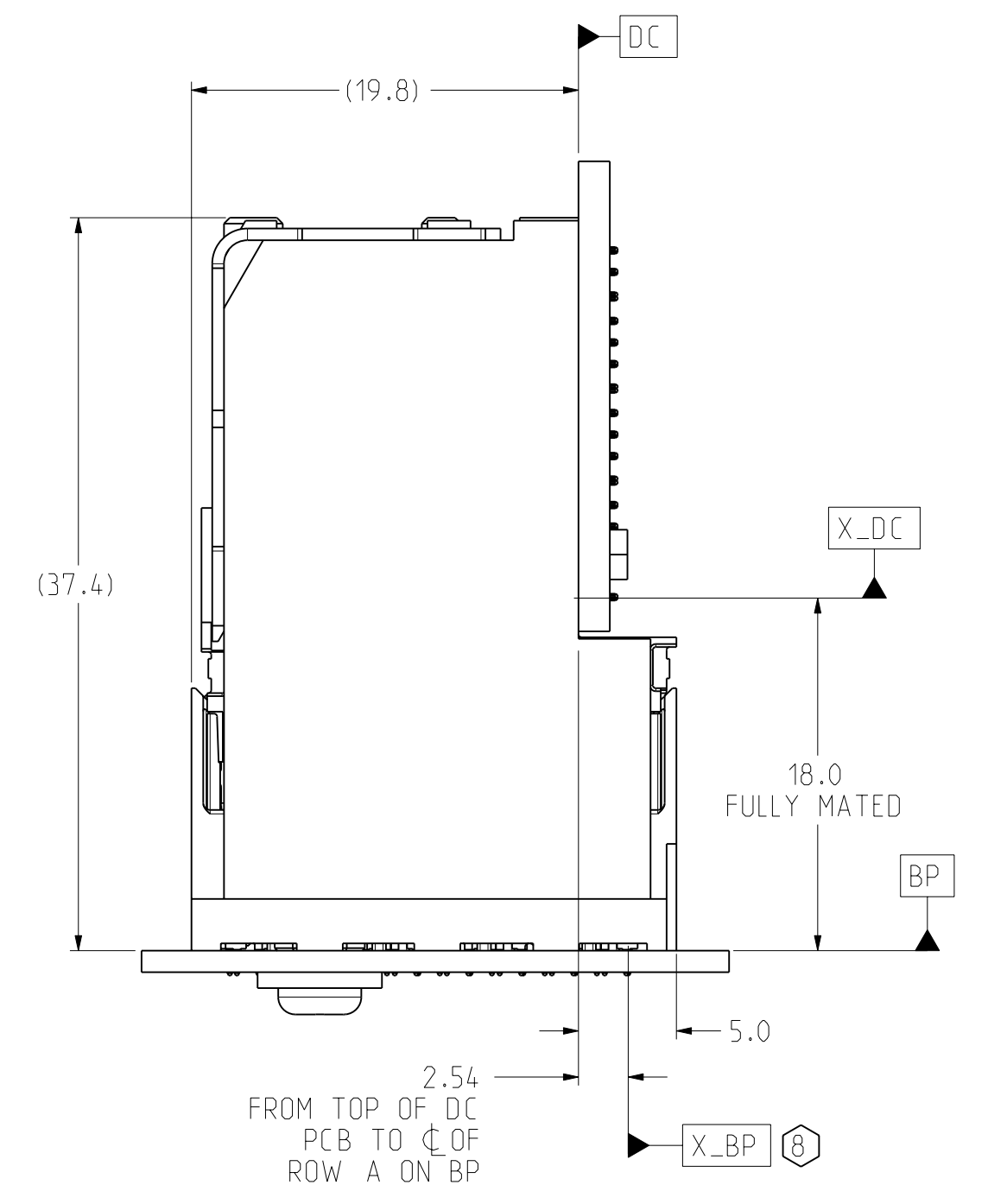
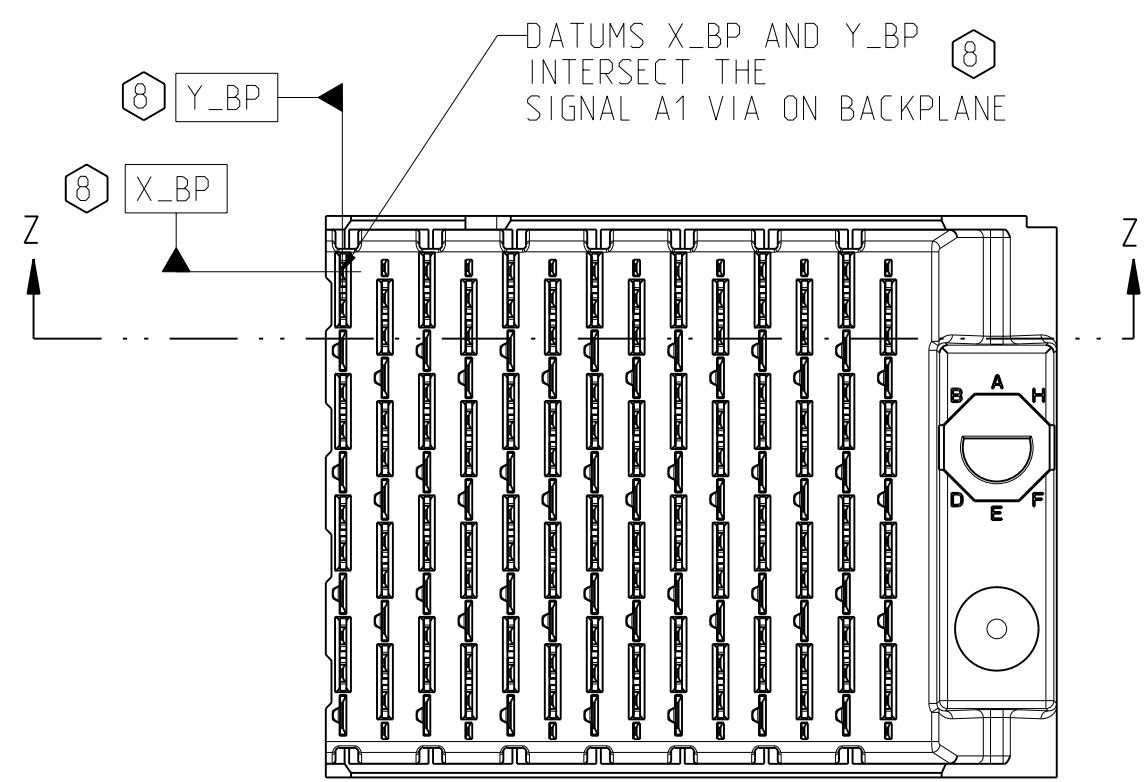
BP HOLE PATTERN COMPONENT SIDE SCALE 6/1

LEFT POLARIZING/GUIDE BACKPLANE FOOTPRINT

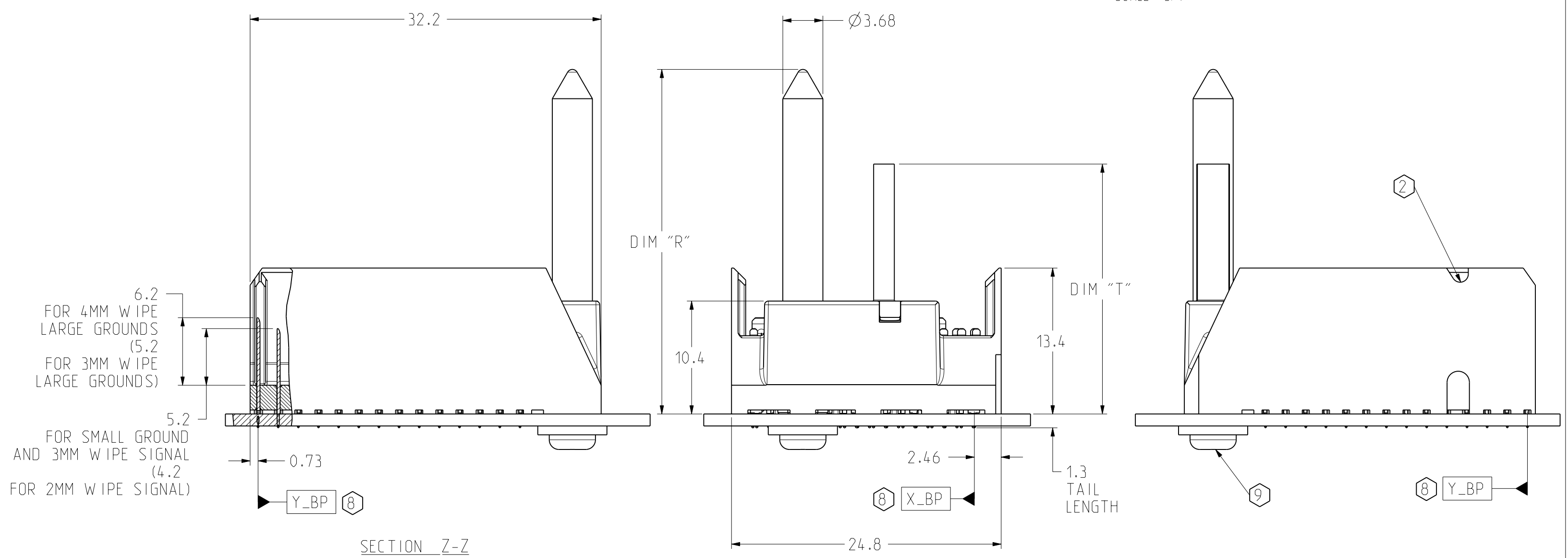
TOLERANCES	DESIGN 10/26/2008 A.ASTBURY	<b>Amphenol TCS</b> A Division of Amphenol Corporation 200 Innovative Way, Nashua, NH 03062 803.879.3000	TITLE BACKPLANE MODULES, VERTICAL MALE HEADER XCER, 4 PAIR 14 POSITION
0.0 ±0.25	DRAWN 11/18/2009 HCL-MH		PART NO. SEE PN TREE SHEET 1
0.00 ±0.13	CHK 11/18/2009 A.ASTBURY		REV A
0.000 ± -	APVD 11/18/2009 D.SMITH		DRAWING NO. C951-400Q-500
ANGLES ± 3°	UNLESS OTHERWISE SPECIFIED DIMENSIONS ARE IN MM. DECIMAL MARKER IS A PERIOD		Pro/E Type: C951-4-BP4-14WAF 1.2 Pro/E DRAWING: C951-400Q-500-BP4-MODULES-14WAF 1.7
INTERPRET PER ASME Y14.5M CODE IDENT 31413		CUSTOMER USE DRAWING	SIZE D SCALE 3/1 SHEET 3 OF 8

DRW NO. C951-400Q-500

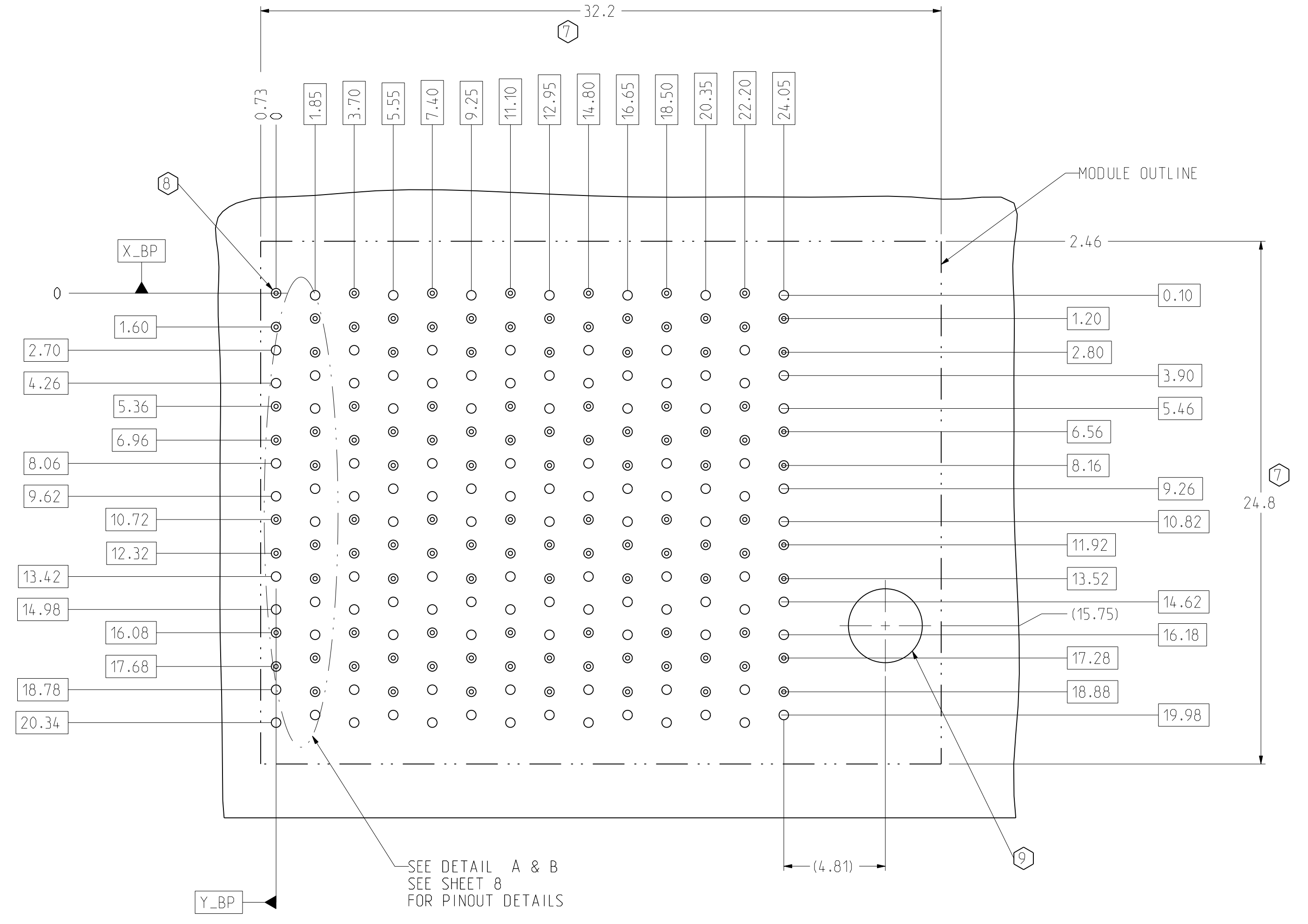
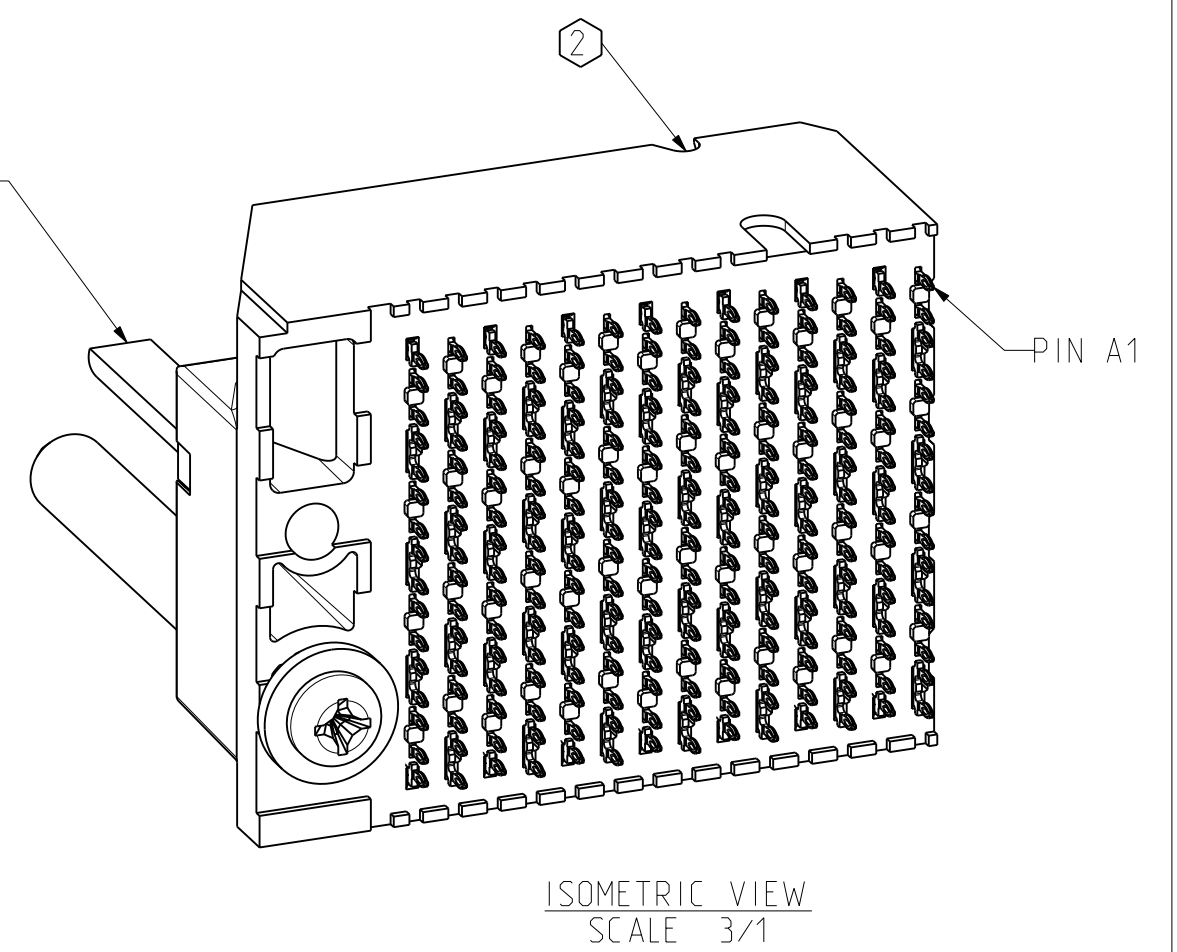
SH 3 REV A



RIGHT POLARIZING/GUIDE BACKPLANE MODULE DIMENSION



PART NUMBER	DIM "R"	DIM "T"
951-4X0Q-X 0 X 951-4X0Q-X 1 X	31.6	23.0
951-4X0Q-X 4 X 951-4X0Q-X 5 X	25.7	20.2

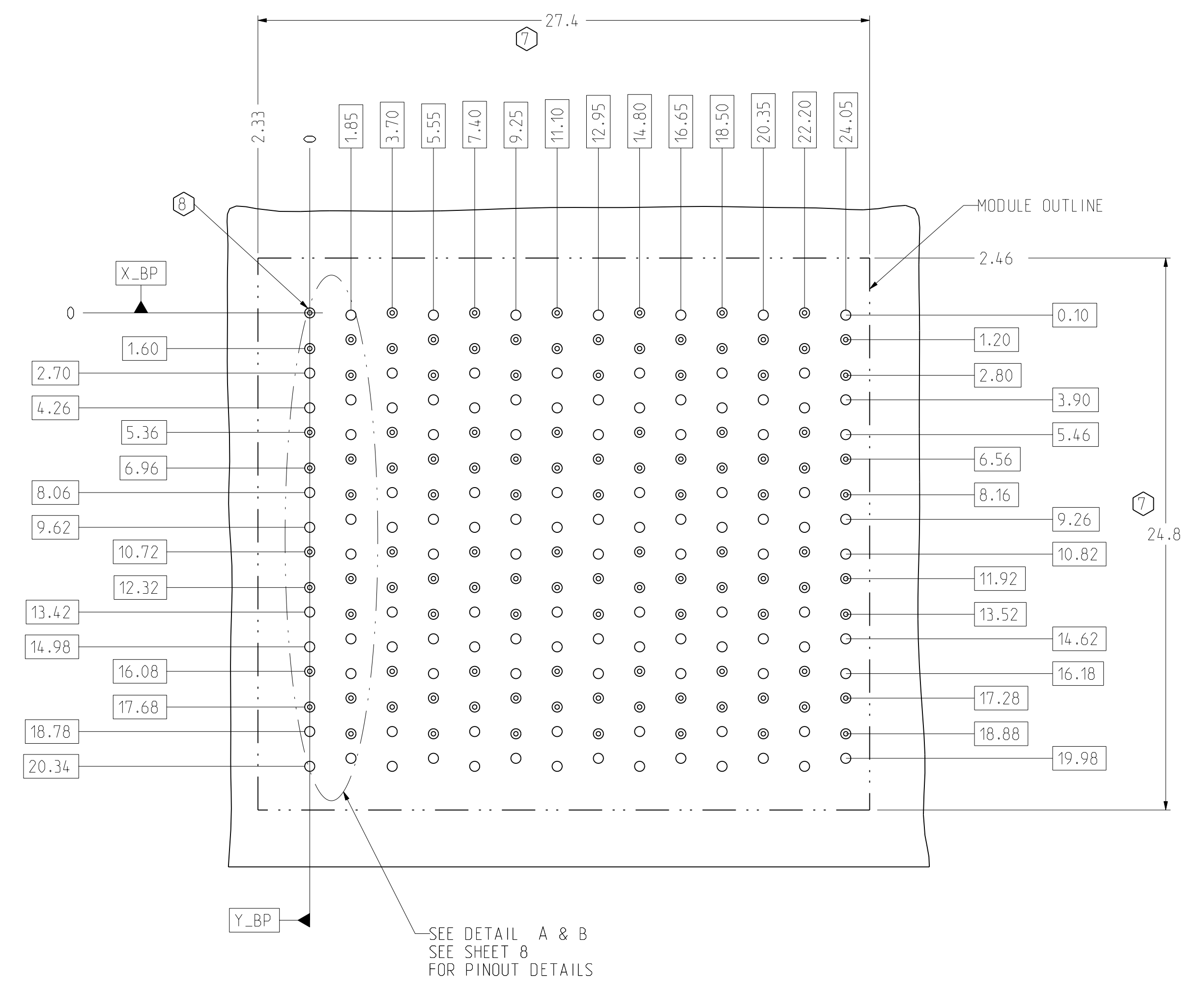
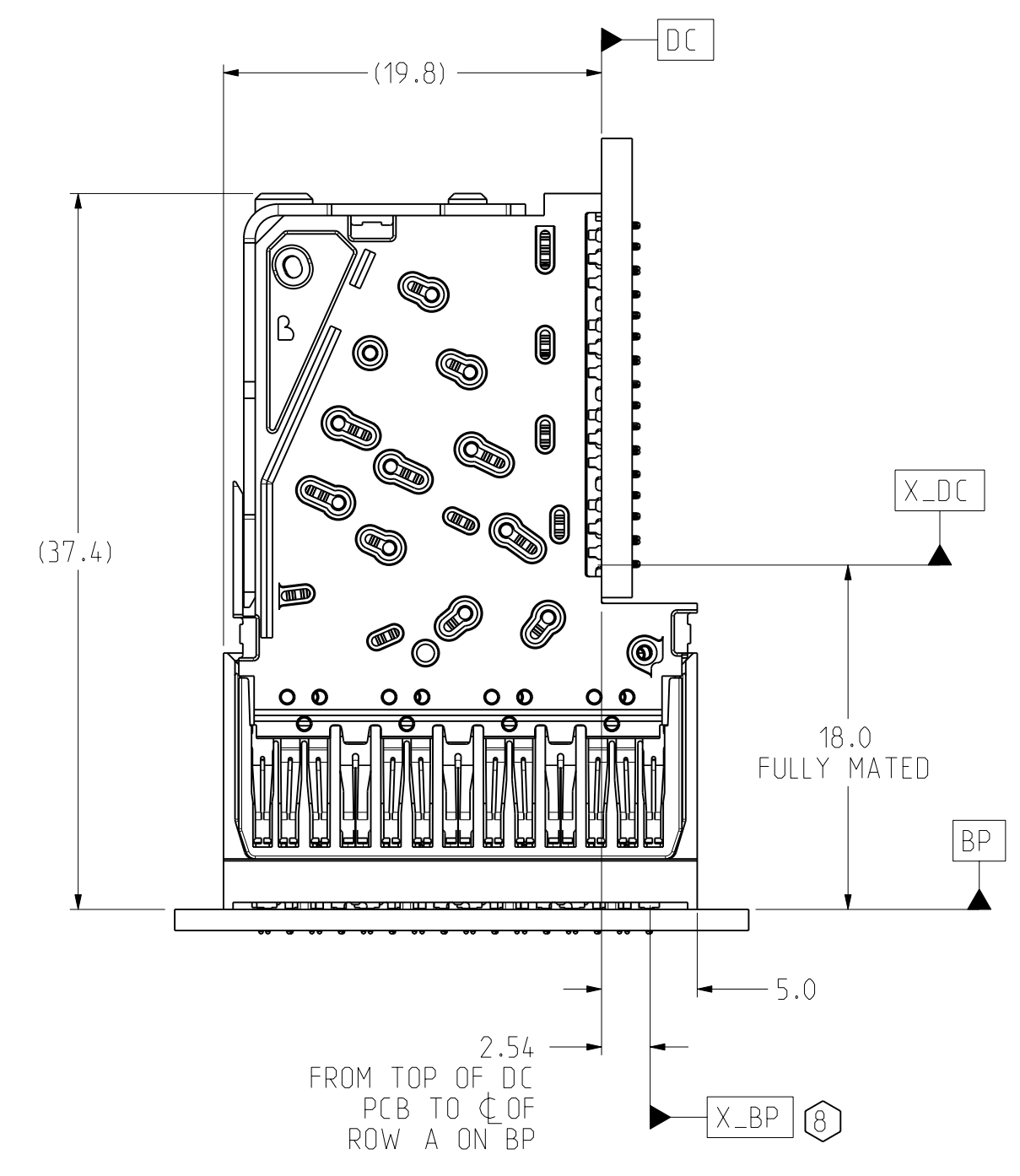
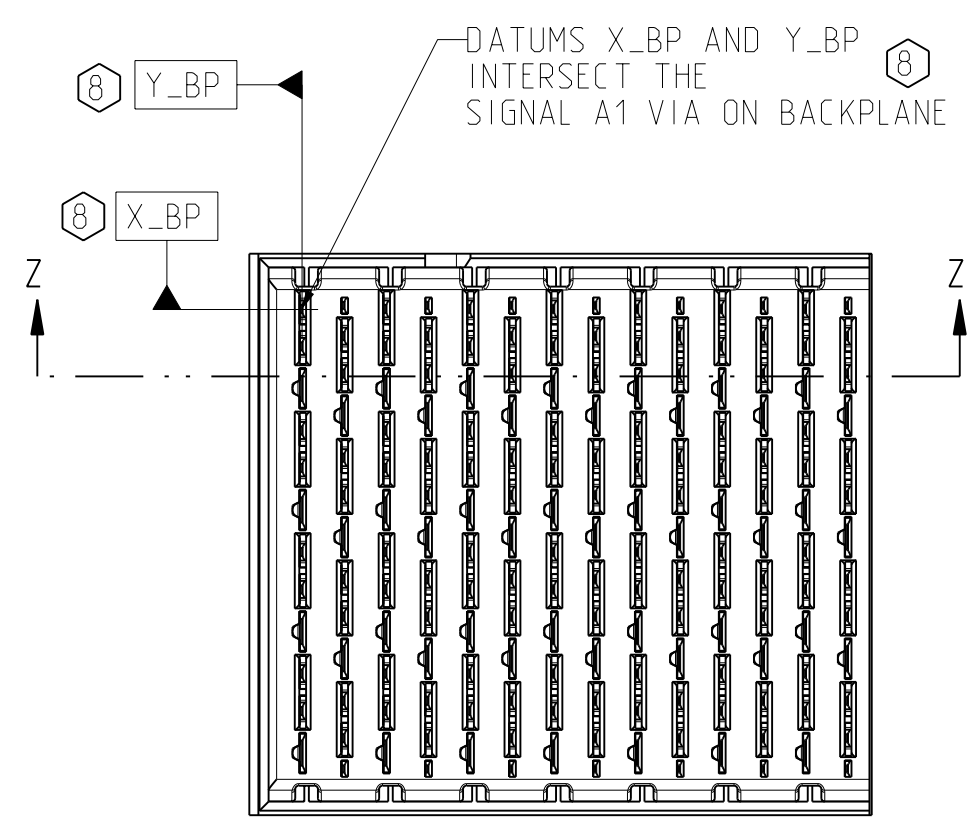


RIGHT POLARIZING/GUIDE BACKPLANE FOOTPRINT

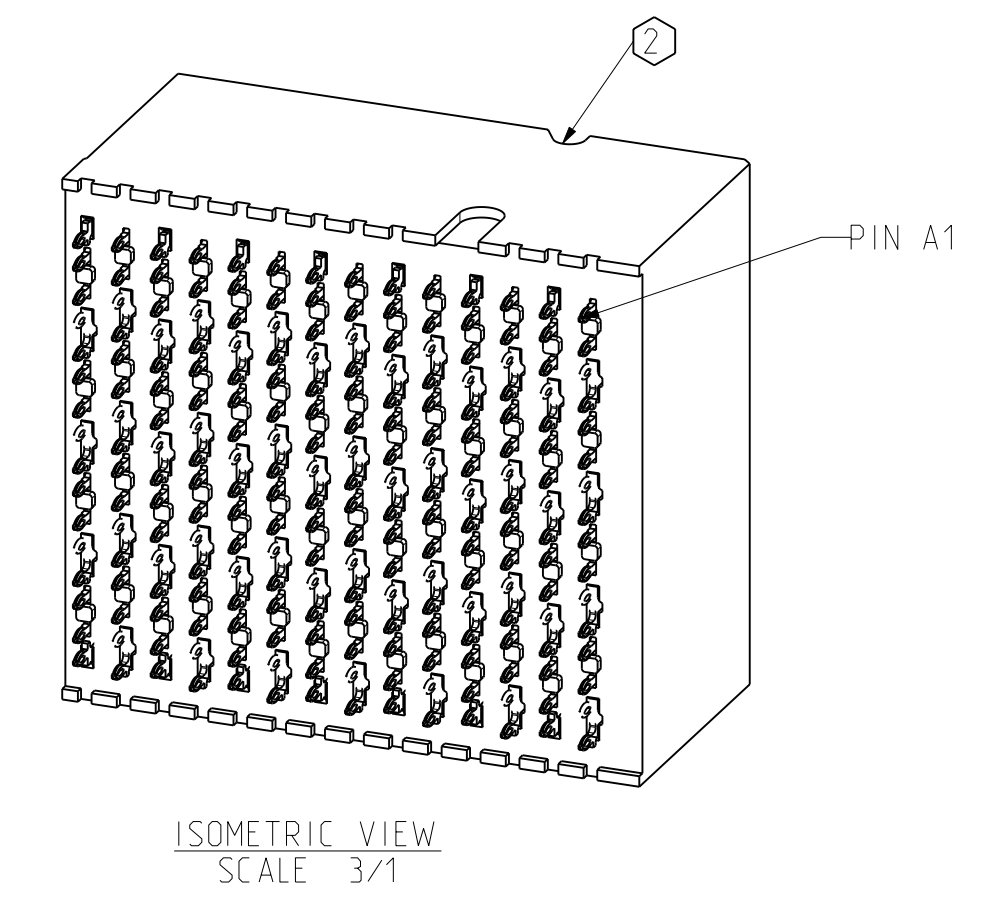
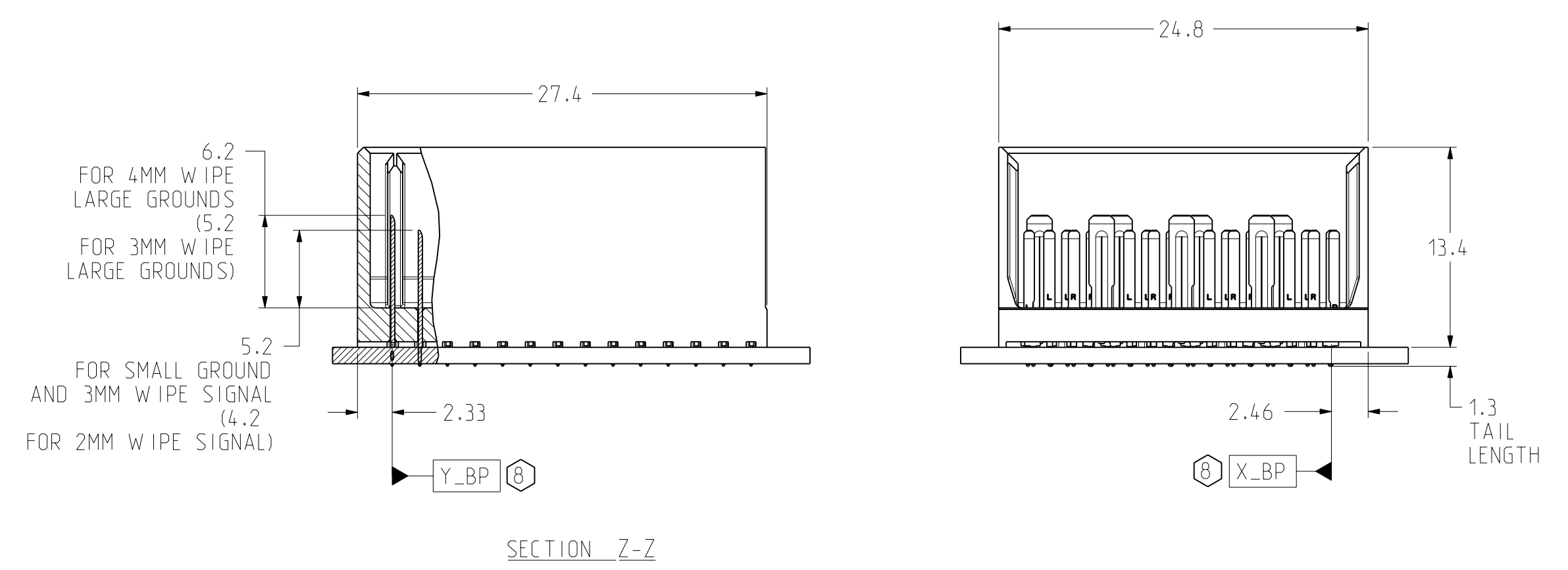
TOLERANCES	DESIGN 10/28/2008 A.ASTBURY	<b>Amphenol TCS</b> A Division of Amphenol Corporation 200 Innovative Way, Nashua, NH 03062 603.879.3000	TITLE	BACKPLANE MODULES, VERTICAL MALE HEADER XCEB, 4 PAIR 14 POSITION
0.0 ±0.25	DRAWN 11/18/2009 HCL-MH		PART NO.	SEE PN TREE SHEET 1
0.00 ±0.13	CHK 11/18/2009 A.ASTBURY		REV	A
0.000 ± -	APVD 11/18/2009 D.SMITH		DRAWING NO.	C951-400Q-500
ANGLES ± 3°	UNLESS OTHERWISE SPECIFIED DIMENSIONS ARE IN MM. DECIMAL MARKER IS A PERIOD		PRO/E TYPE	C951-4-BP4-14WAF 1.2 C951-400Q-500-BP4-MODULES-14WAF 1.7
CUSTOMER USE DRAWING INTERPRET PER ASME Y14.5M CODE IDENT 31413			SIZE	D SCALE 3/1 SHEET 4 OF 8

C951-400Q-500

REV A



LEFT WALL BACKPLANE MODULE DIMENSION



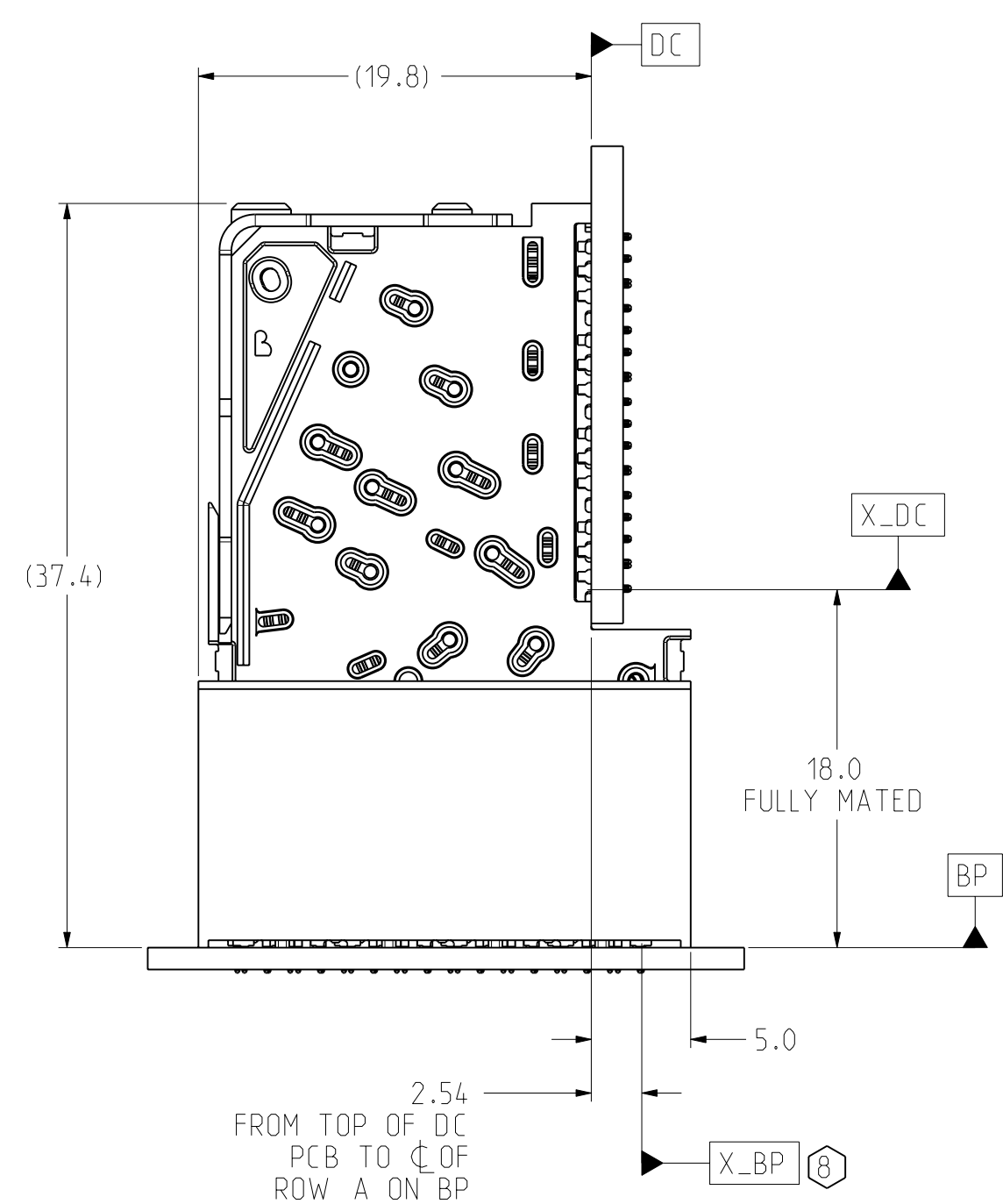
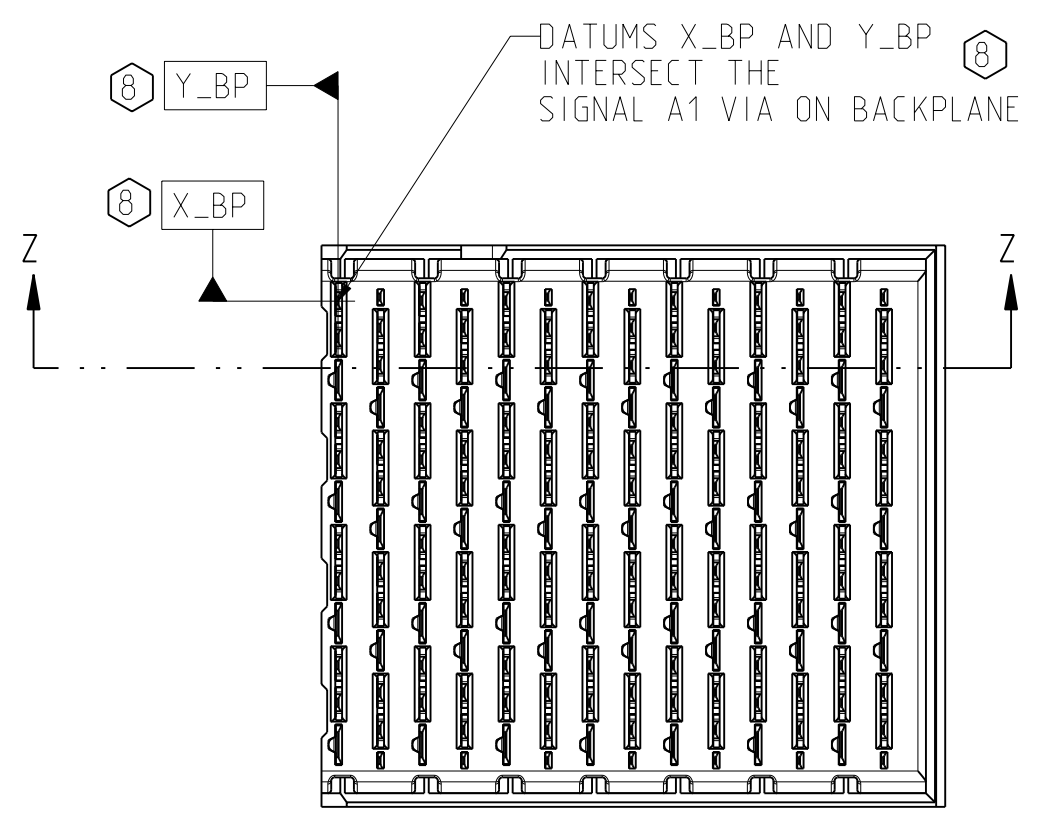
LEFT WALL BACKPLANE FOOTPRINT

TOLERANCES		DESIGN 10/26/2008	<b>Amphenol TCS</b> A Division of Amphenol Corporation 200 Innovative Way, Nashua, NH 03062 603.879.3000	TITLE	
0.0	$\pm 0.25$	A.ASTBURY		BACKPLANE MODULES, VERTICAL MALE HEADER	
0.00	$\pm 0.13$	HCL-MH		XCER, 4 PAIR 14 POSITION	
0.000	$\pm -$	A.ASTBURY		PART NO. SEE PN TREE SHEET 1	
ANGLES $\pm 3^\circ$		CHK 11/18/2009	DRAWING NO. C951-400Q-500		REV A
UNLESS OTHERWISE SPECIFIED DIMENSIONS ARE IN MM. DECIMAL MARKER IS A PERIOD		APVD 11/18/2009	Pro/E Type: C951-4-BPL-14WAF 1.2		1.7
CUSTOMER USE DRAWING		D.SMITH	SIZE D SCALE 3/1		SHEET 5 OF 8
INTERPRET PER ASME Y14.5M					
CODE IDENT 31413					

005-1-000-156

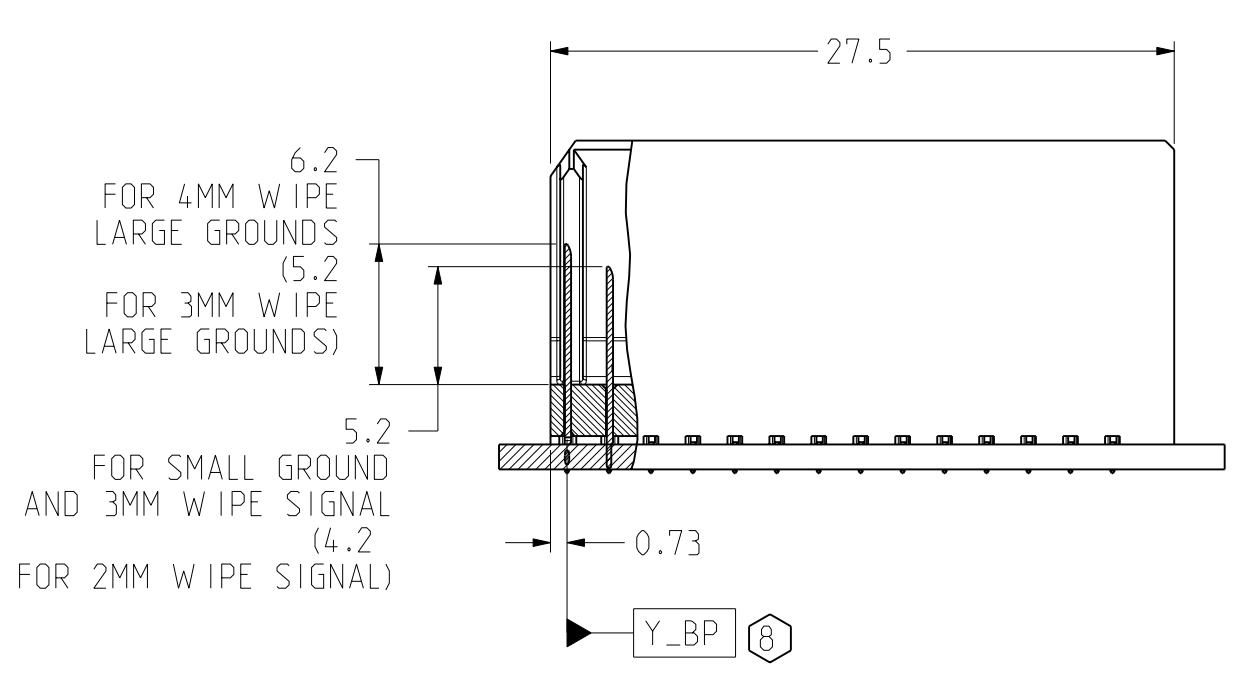
SH 5 REV A

ZONE	REV	SCR NUMBER	DESCRIPTION	BY	DATE	APPROVED
			SEE SHEET 1			

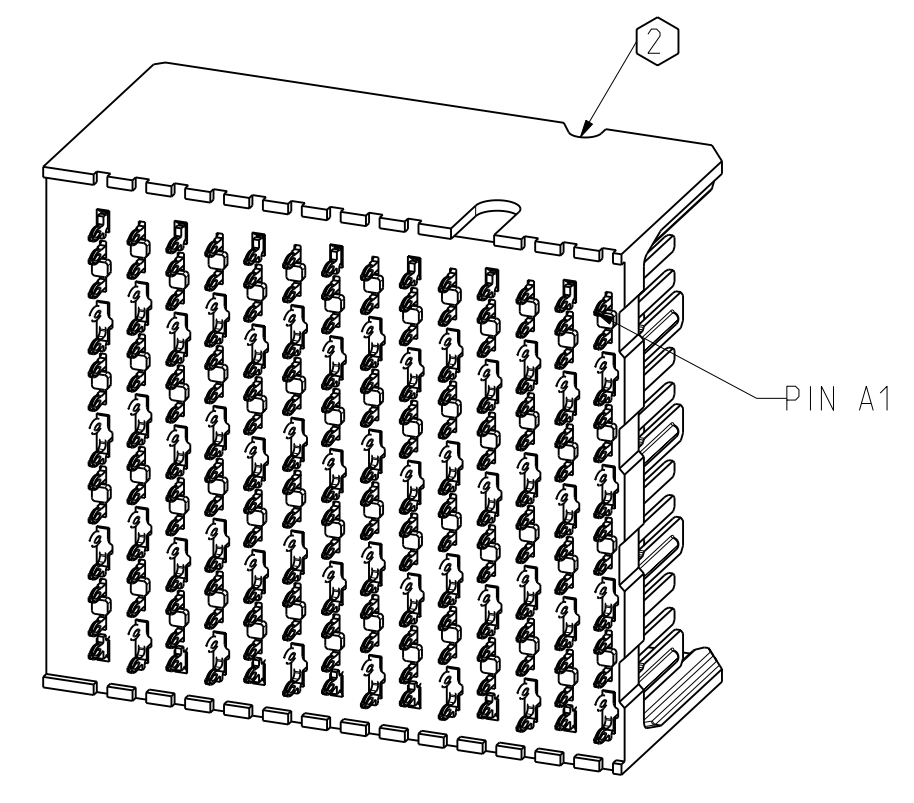
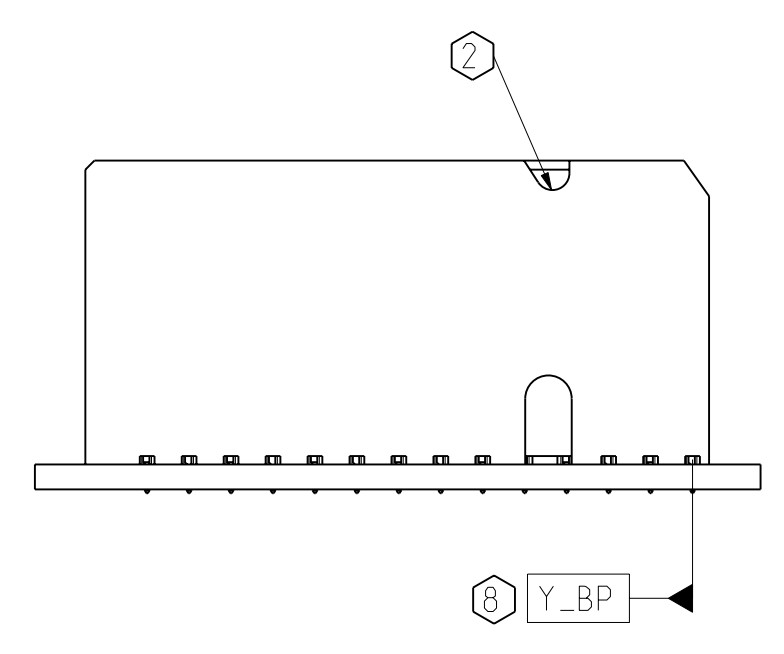
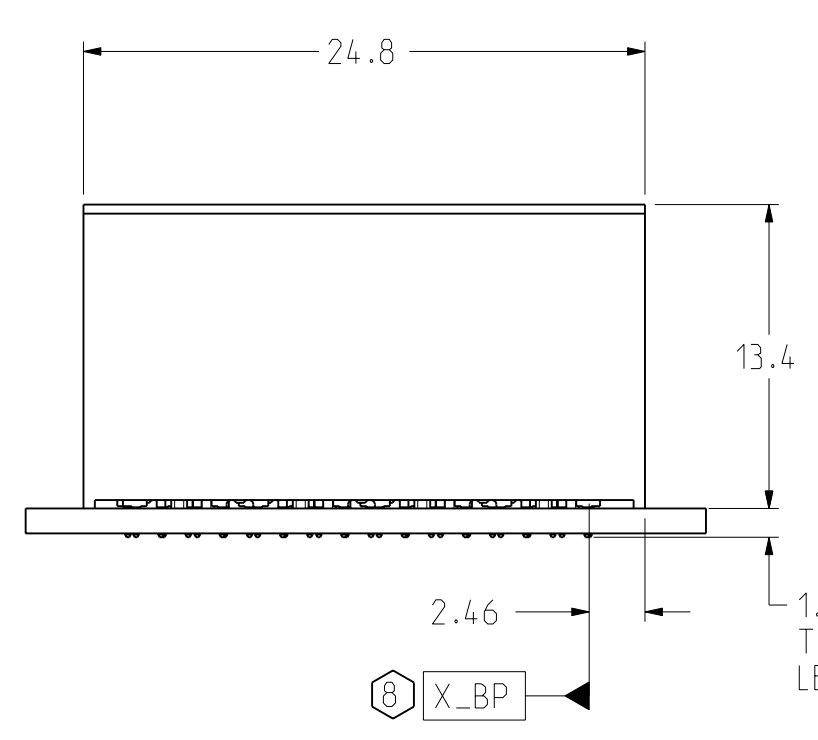


RIGHT WALL BACKPLANE MODULE DIMENSION

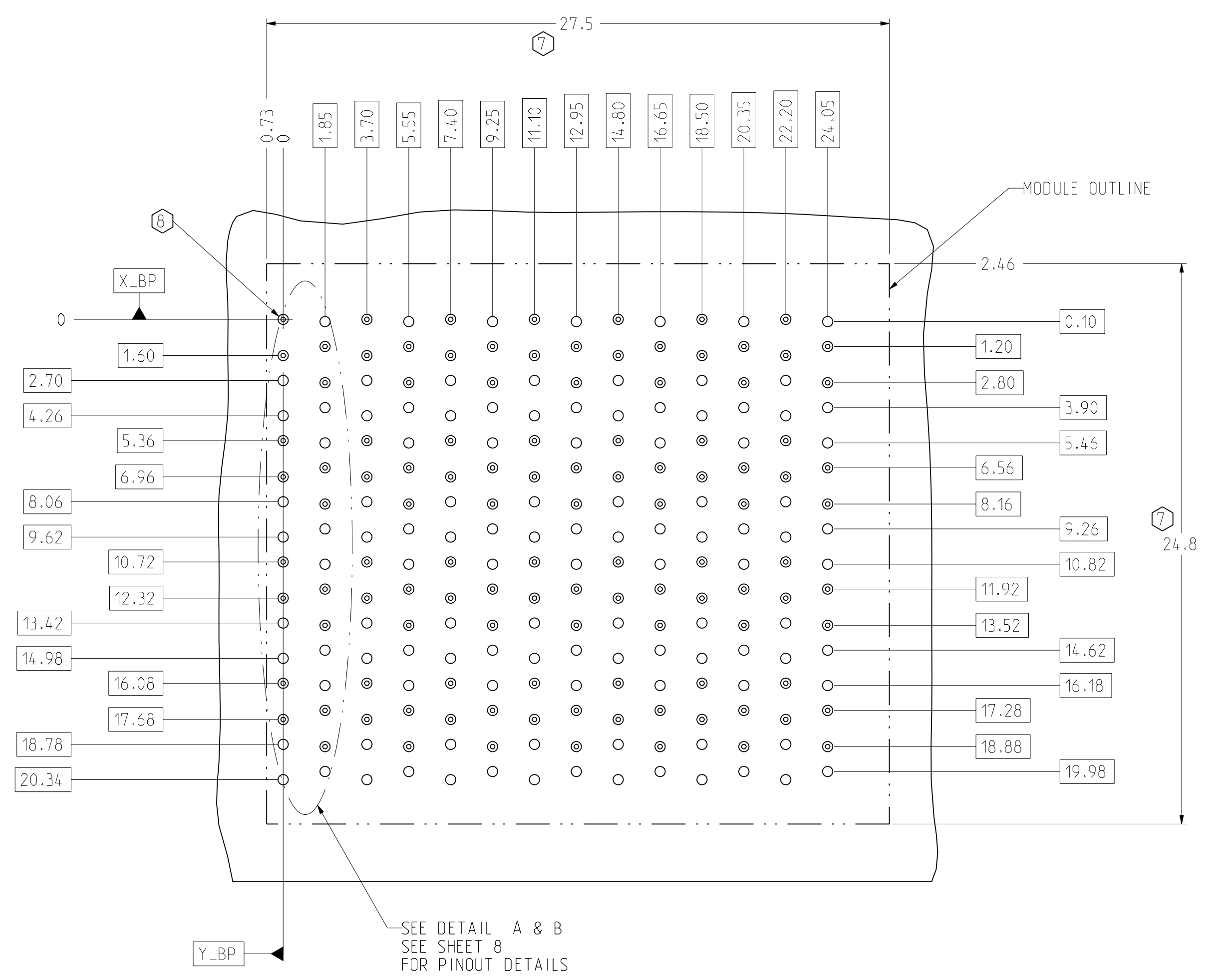
CONNECTOR REFERENCE SCALE 3/1



SECTION Z-Z



ISOMETRIC VIEW SCALE 3/1



BP\_HOLE PATTERN COMPONENT SIDE SCALE 6/1

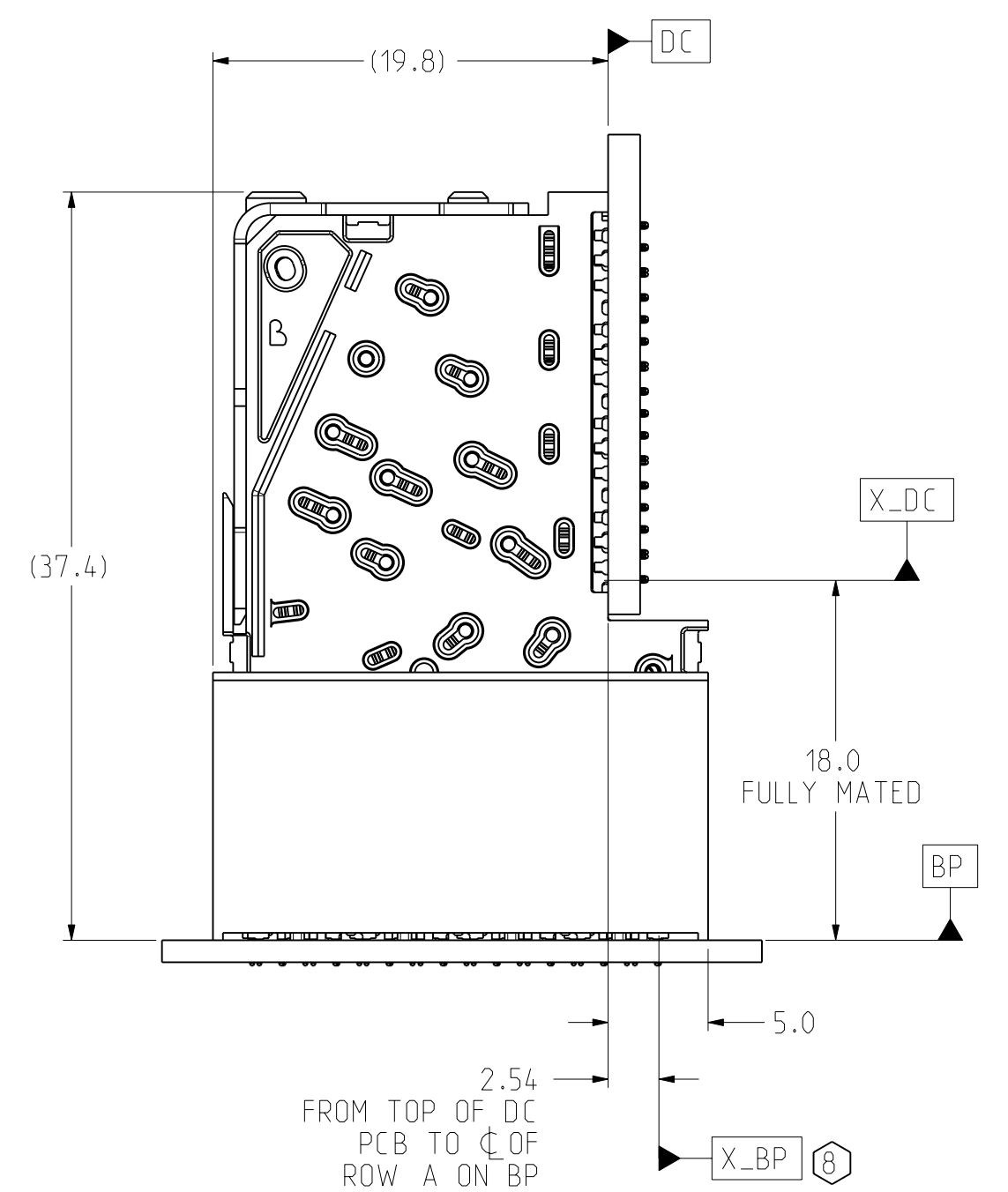
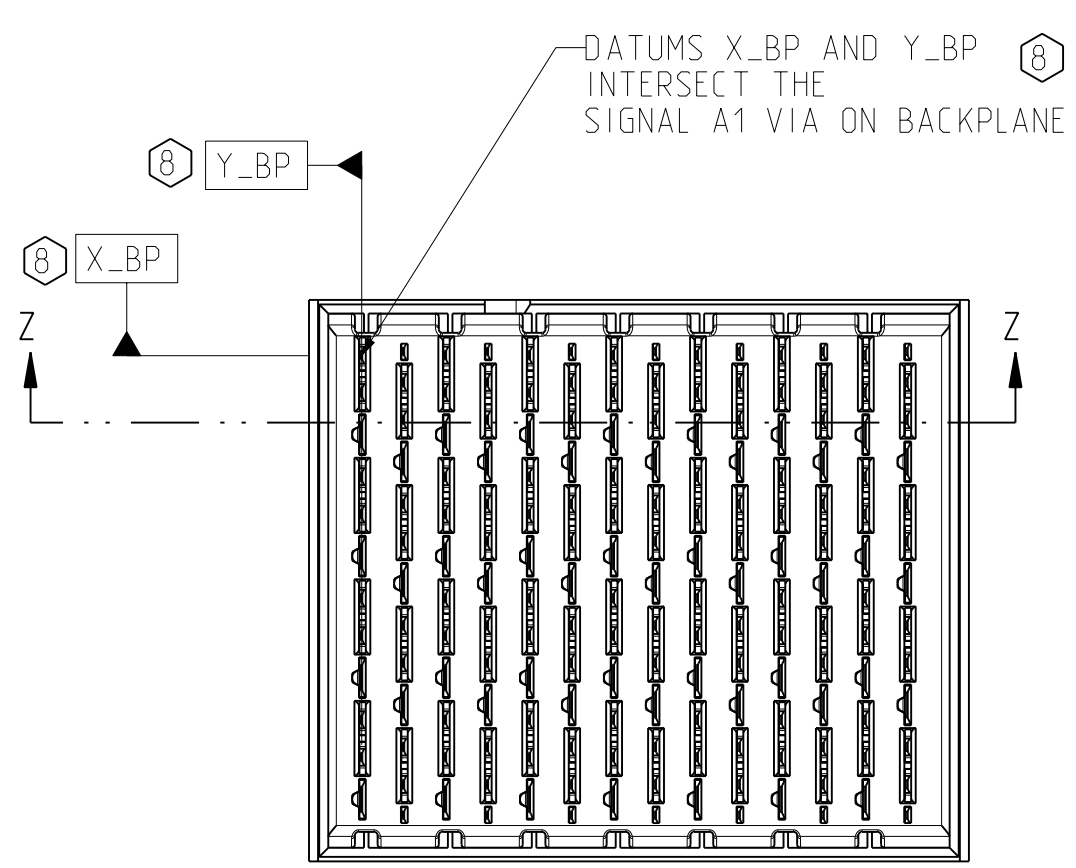
RIGHT WALL BACKPLANE FOOTPRINT

TOLERANCES		DESIGN	10/26/2008	Amphenol TCS	
0.0	±0.25	A.ASTBURY		A Division of Amphenol Corporation	
0.00	±0.13	DRAWN 11/18/2009		200 Innovative Way, Nashua, NH 03062 603.879.3000	
0.000	± -	CHK 11/18/2009		TITLE	
ANGLES	± 3°	APVD 11/18/2009		BACKPLANE MODULES, VERTICAL MALE HEADER	
UNLESS OTHERWISE SPECIFIED DIMENSIONS ARE IN MM. DECIMAL MARKER IS A PERIOD				XCER, 4 PAIR 14 POSITION	
INTERPRET PER ASME Y14.5M				PART NO. SEE PN TREE SHEET 1	
CODE IDENT 31413				DRAWING NO. C951-400Q-500	
CUSTOMER USE DRAWING				REV A	
				Pro/E Type: C951-4--BP4-14WAF 1.2	
				Pro/E Drawing: C951-400Q-500-BP4-MODULES-14WAF 1.7	
				SIZE D SCALE 3/1 SHEET 6 OF 8	

005-0007-156

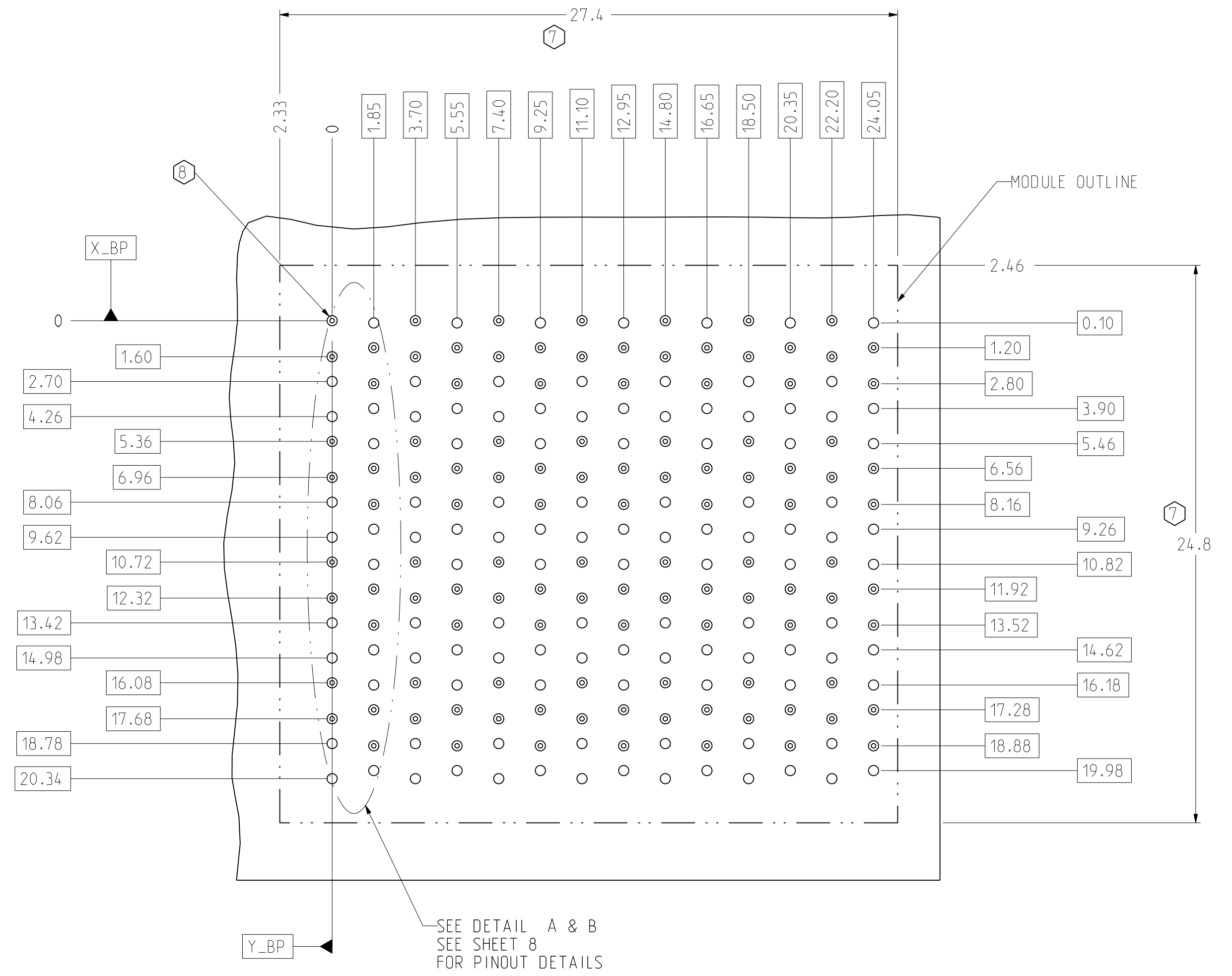
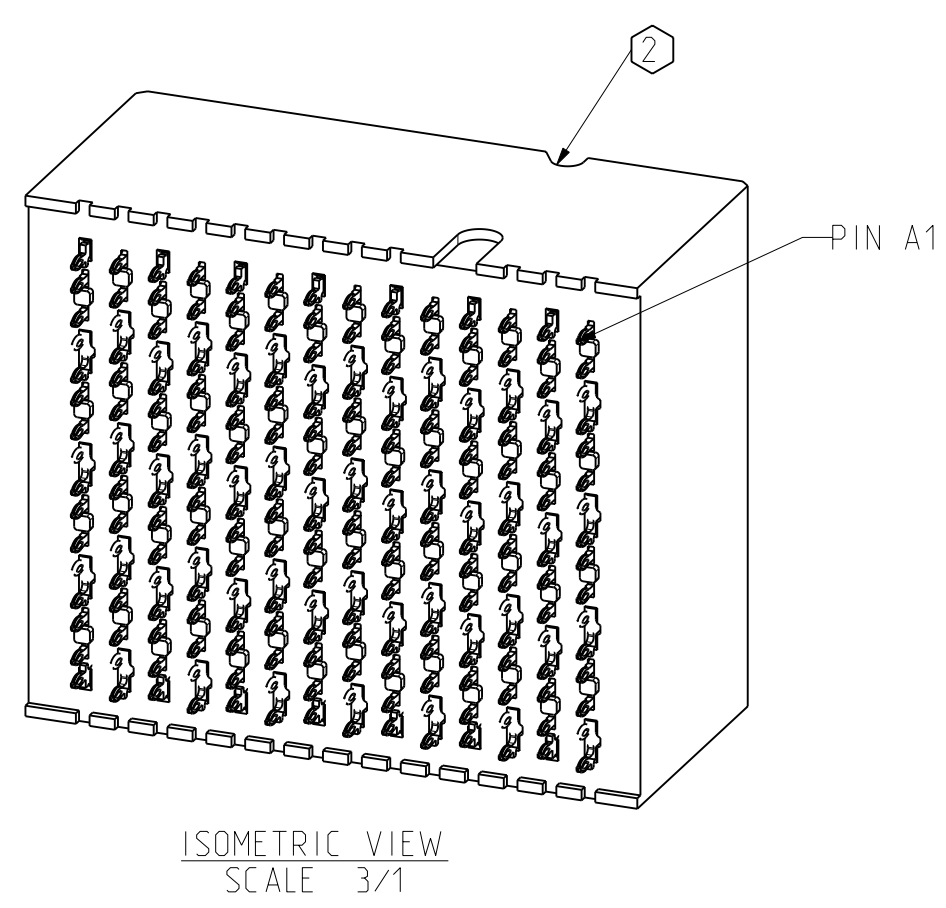
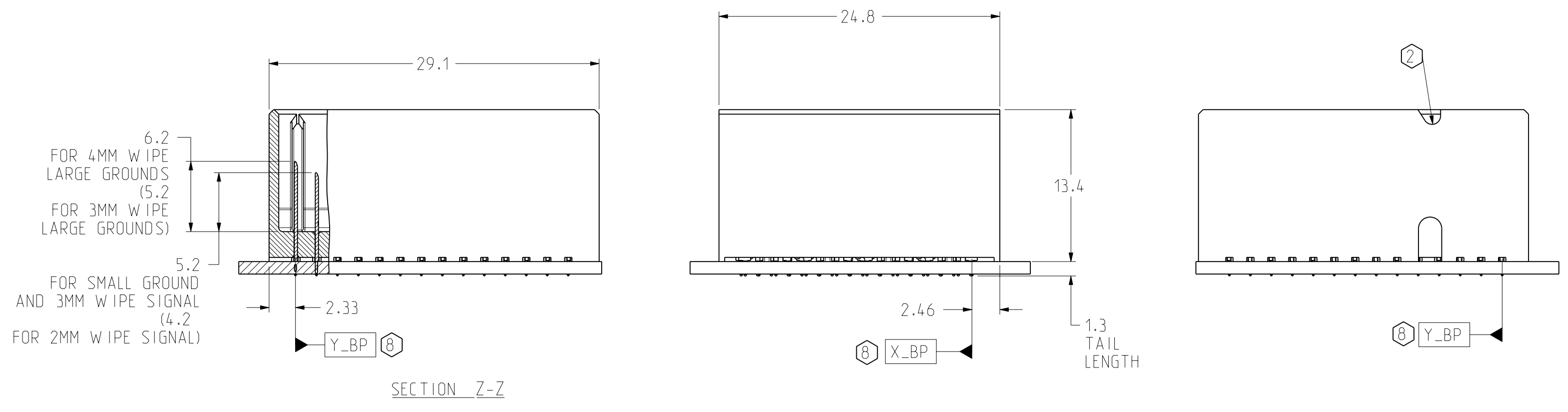
SH 6 REV A

DRW NO.	C951-400Q-500	SH	7	REV	A	
ZONE	REV	SCR NUMBER	DESCRIPTION	BY	DATE	APPROVED
			SEE SHEET 1			



TWO WALL BACKPLANE MODULE DIMENSION

CONNECTOR REFERENCE SCALE 3/1



BP HOLE PATTERN COMPONENT SIDE SCALE 6/1

TWO WALL BACKPLANE FOOTPRINT

TOLERANCES	DESIGN 10/26/2008 A.ASTBURY	<b>Amphenol TCS</b> A Division of Amphenol Corporation 200 Innovative Way, Nashua, NH 03062 603.879.3000	TITLE	BACKPLANE MODULES, VERTICAL MALE HEADER	
0.0 ±0.25	DRAWN 11/18/2009 HCL-MH		XCR: 4 PAIR 14 POSITION	PART NO.	SEE PN TREE SHEET 1
0.00 ±0.13	CHK 11/18/2009 A.ASTBURY			REV	A
0.000 ± -	APVD 11/18/2009 D.SMITH			DRAWING NO.	C951-400Q-500
ANGLES ± 3°	UNLESS OTHERWISE SPECIFIED DIMENSIONS ARE IN MM. DECIMAL MARKER IS A PERIOD		PROJ. TYPE	C951-4-BP4-14WAF	
			PROJ. DRAWING	C951-400Q-500-BP4-MODULES-14WAF	
			SIZE	D	
			SCALE	3/1	
			SHEET	7 OF 8	

INTERPRET PER ASME Y14.5M  
CODE IDENT 31413

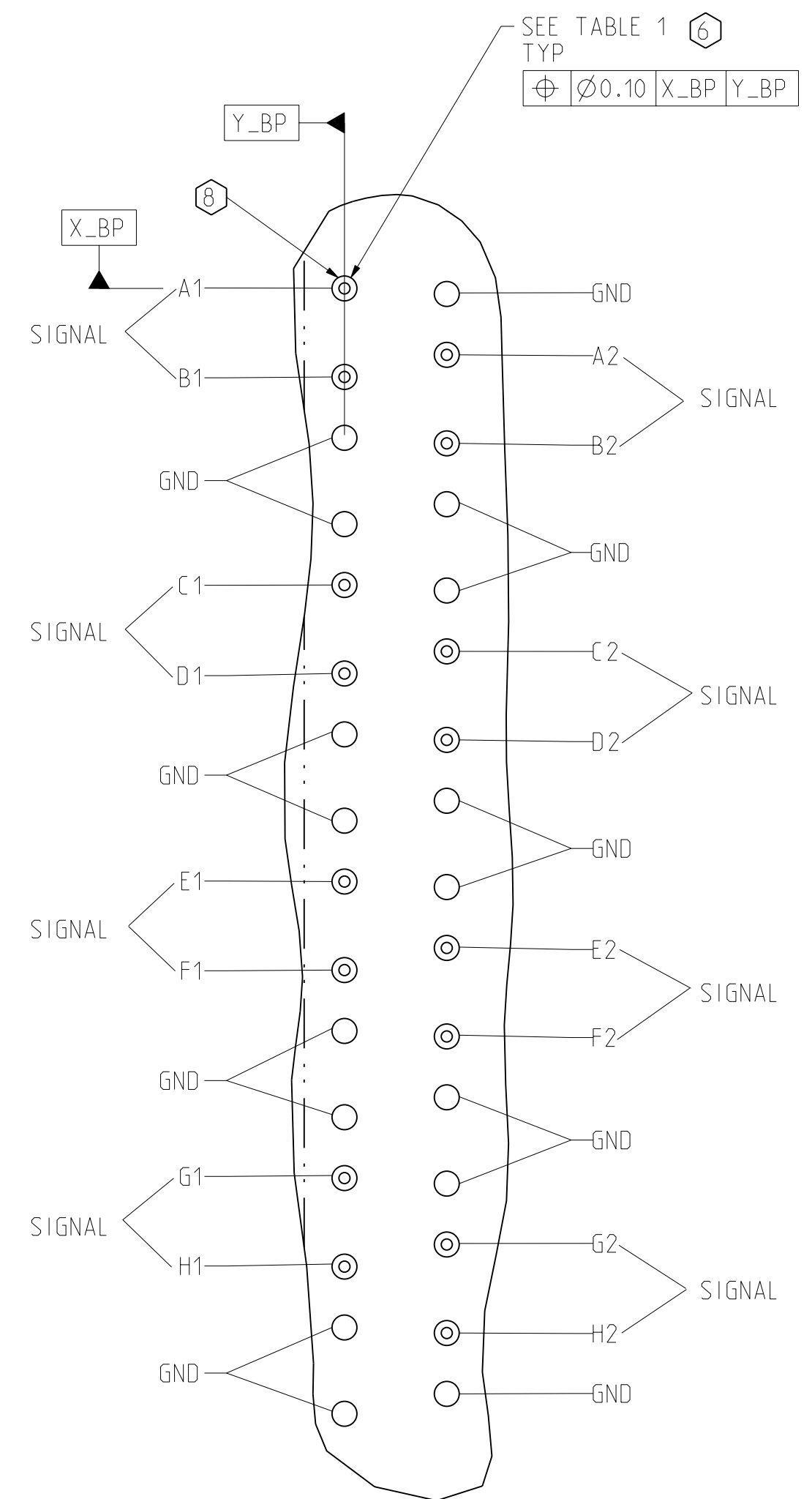
CUSTOMER USE DRAWING

DRW NO. C951-400Q-500

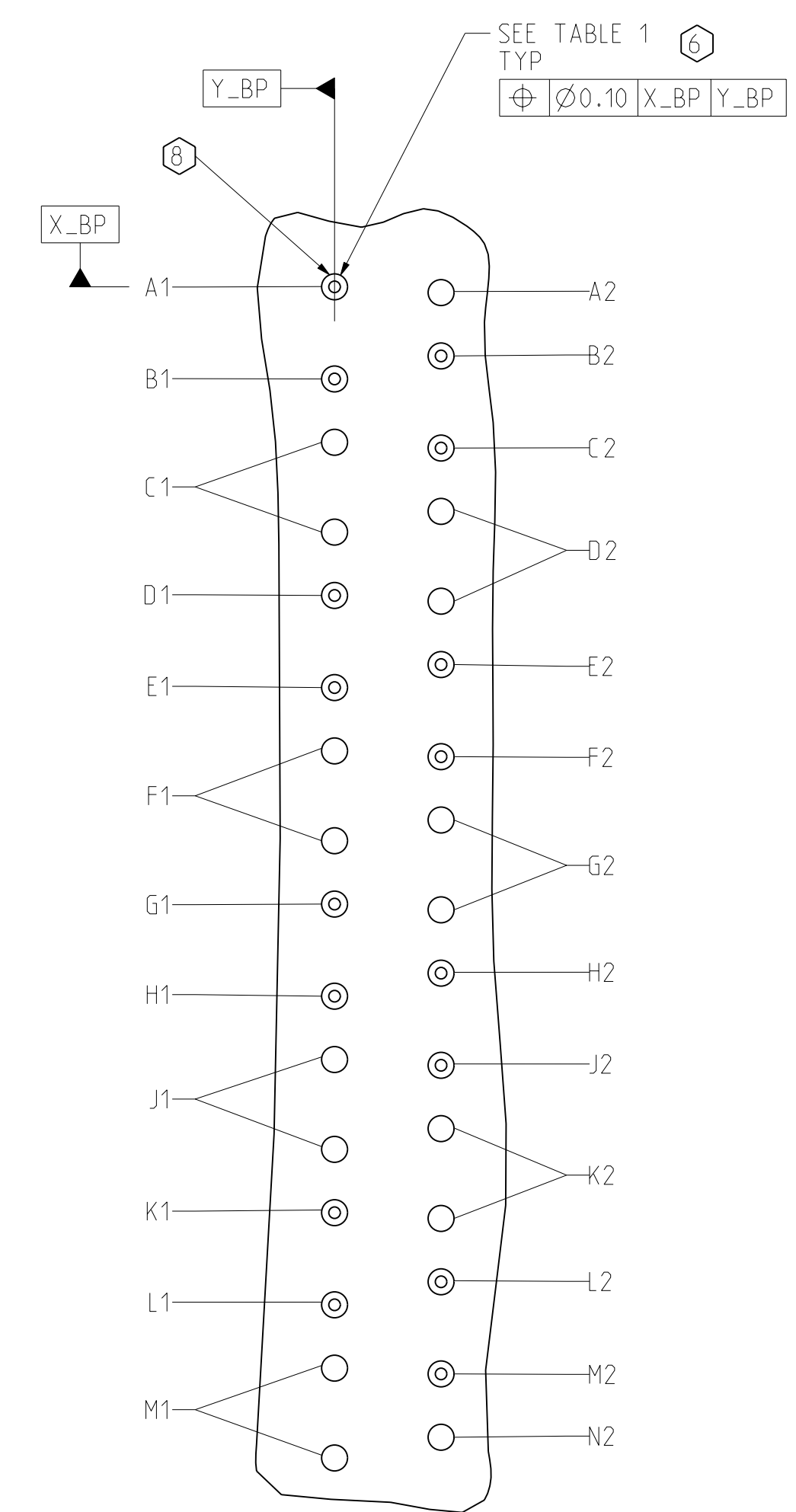
SH 7 REV A

ZONE	REV	SCR NUMBER	DESCRIPTION	BY	DATE	APPROVED
			SEE SHEET 1			

	COMPLIANT PIN DRILL $\varnothing 0.0217''$	COMPLIANT PIN DRILL $\varnothing 0.0177''$
PTH	$\varnothing 0.45 \pm 0.05$	$\varnothing 0.36 \pm 0.05$
DRILL	$\varnothing 0.55$ (0.0217")	$\varnothing 0.45$ (0.0177")
PAD	$\varnothing 0.85$	$\varnothing 0.75$



DETAIL A  
HSD PINOUTS  
SCALE 10/1



DETAIL B  
LC PINOUTS  
SCALE 10/1

TOLERANCES		DESIGN 10/28/2008 A.ASTBURY	<b>Amphenol TCS</b> A Division of Amphenol Corporation 200 Innovative Way, Nashua, NH 03062 603.879.3000	TITLE BACKPLANE MODULES, VERTICAL MALE HEADER XCede, 4 PAIR 14 POSITION		
0.0	$\pm 0.25$	DRAWN 11/18/2009 HCL-MH		PART NO.	SEE PN TREE SHEET 1	REV
0.00	$\pm 0.13$	CHK 11/18/2009 A.ASTBURY		DRAWING NO.	C951-400Q-500	REV A
0.000	$\pm -$	APVD 11/18/2009 D.SMITH		PROJ. TYPE	C951-4-BP4-14WAF	1.2
ANGLES $\pm 3^\circ$		UNLESS OTHERWISE SPECIFIED DIMENSIONS ARE IN MM. DECIMAL MARKER IS A PERIOD.		PROJ. DRAWING	C951-400Q-500-BP4-MODULES-14WAF	1.7
 INTERPRET PER ASME Y14.5M CODE IDENT 31413		CUSTOMER USE DRAWING		SIZE D	SCALE 3/1	SHEET 8 OF 8

C951-400Q-500

SH 8  
REV A