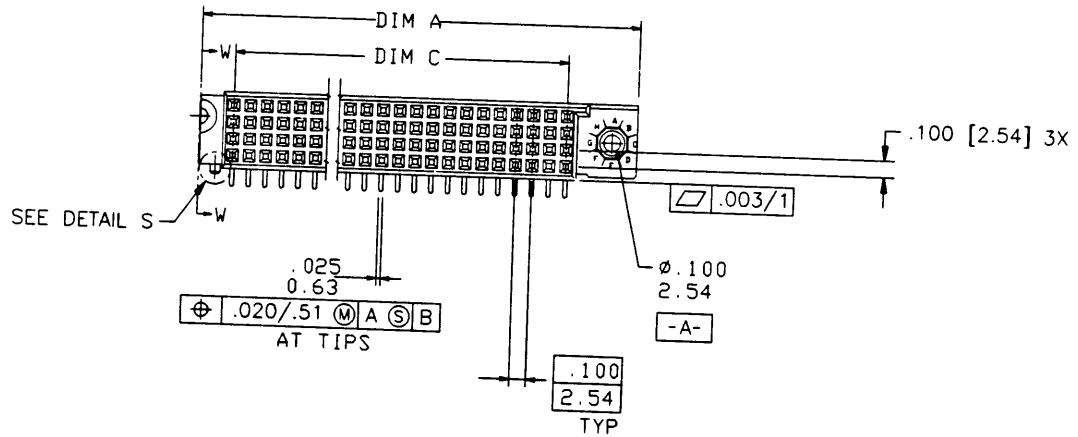
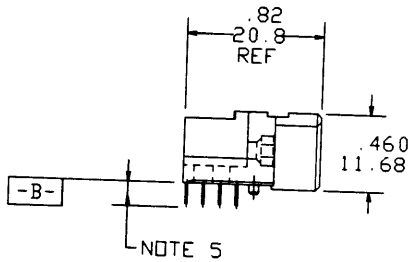
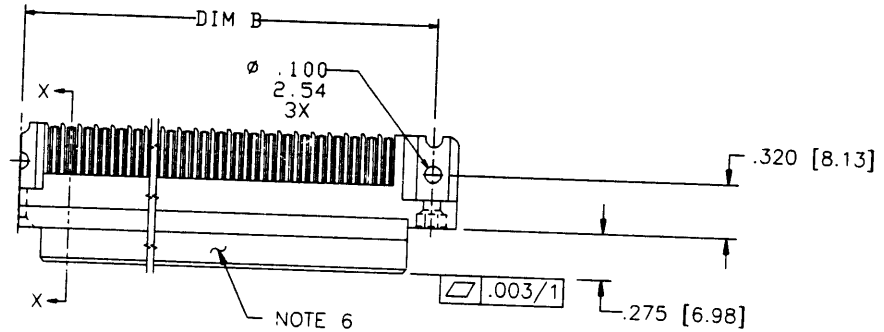
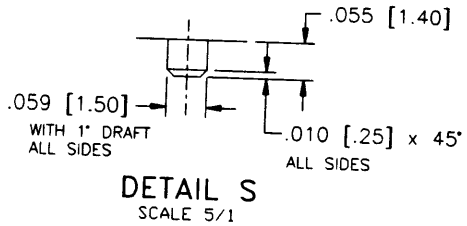


PRODUCT NUMBER

50732-XXXX



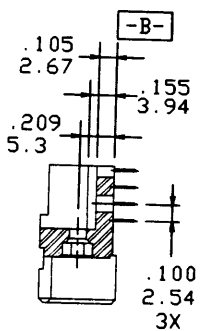
REVISIONS				SHEET INDEX	ISSUE	A	A	MAY	BY	DATE	CUSTOMER COPY	TITLE
REV	ECN/DDR	BY	DATE									
A	V31672	PDP	9/22/93						P. PARSONS	8/2/93		HPC RECPT. IBM SPL R/A
									J. AFTON	8/2/93		ROW RIGHT HALF - RIVET MOUNT
									J. AFTON	8/2/93		SCALE SIZE: 2:1 C
									J. AFTON	8/2/93		DWG. NO. 50732
												SHEET 1 of 2

BERG
ELECTRONICS

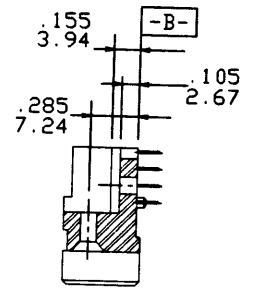
NOTE: THIS DOCUMENT IS THE PROPERTY OF AND EMBODIES PROPRIETARY INFORMATION OF THE BERG ELECTRONICS, INC. NO PART OF THE INFORMATION SHOWN ON THIS DOCUMENT MAY BE USED IN ANY WAY WITHOUT THE WRITTEN CONSENT OF BERG ELECTRONICS, INC.

FORM E-3087 REV 8/93

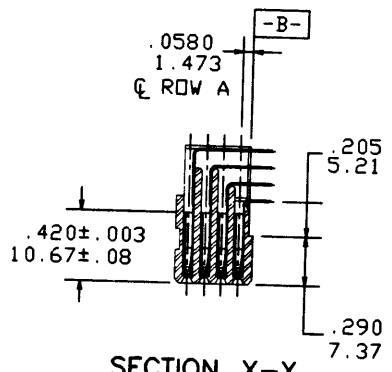
PRODUCT NUMBER	DIM.	LENGTH FORMULAS
50732-XXXX	DIM A	$.100/2.54 \times \text{NO. OF COLUMNS} + .523/13.28$
	DIM B	$.100/2.54 \times \text{NO. OF COLUMNS} + .375/9.53$
	DIM C	$.100/2.54 \times \text{NO. OF COLUMNS} - .10/2.5$



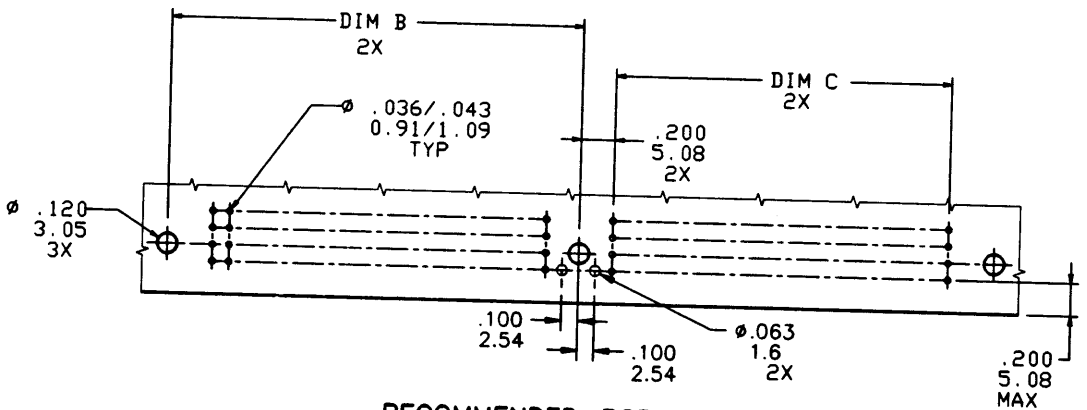
SECTION U-U



SECTION W-W



SECTION X-X



RECOMMENDED PCB LAYOUT
ALL HOLES LOCATED ON .100/2.54 GRID
UNLESS OTHERWISE SPECIFIED

NOTES:

- THIS PRODUCT IS CONFIGURED IN SIZES OF 20 THRU 70 COLUMNS IN INCREMENTS OF ONE. I.E.: 20,21,22,23,.....68,69,70.
- PRODUCT NUMBERING CODE :
50732 - X XXX X
 - X — TAIL LENGTH (NOTE 5)
 - XXX — NO OF POSITIONS
 - X — PLATING (NOTE 4)
 - X — BASE NUMBER
- HOUSING MAT'L : GLASS FILLED PPS.
CONTACT MAT'L : BeCu
- PLATING, CONTACT AREAS OPTIONS :
1 = 30u"/.76u GOLD
3 = 50u"/1.27u GOLD
5 = 30u"/.76u GXT
ALL SOLDER TAILS TIN/LEAD.
- TAIL LENGTH OPTIONS :
E = .125±.010 / 3.18±.25
F = .145±.010 / 3.68±.25
H = .180±.010 / 4.57±.25
- MANUFACTURER'S NAME, P/N, AND LOT CODE TO APPEAR ON THIS SURFACE AS PER BUS-12-108.
- FOR DOCUMENTATION MENU, SEE BERG SPECIFICATION BUS-01-057.
- FOR PRODUCT PERFORMANCE SEE BERG PRODUCT SPECIFICATION NUMBER BUS-12-090. USED WITH LEFT HALF ASSEMBLY P/N 50731-XXXX.

REVISIONS				SHEET INDEX	ISSUE SH NO. 2	A	DATE	BY	DATE	TOLERANCES UNLESS OTHERWISE SPECIFIED	MATERIAL	FINISH	DRAWN	CHECKED	APPROVED	DATE	CUSTOMER COPY	
REV	ECN/DDR#	BY	DATE															
A										LINEAR	0000: 005 / 000: 13	0000: 0020 / 0000: 051	00: 7					



TITLE	HPC RECP. IBM SPL. R/A
SCALE	2:1
SIZE	C
DWG. NO.	50732
SHEET	2 OF 2