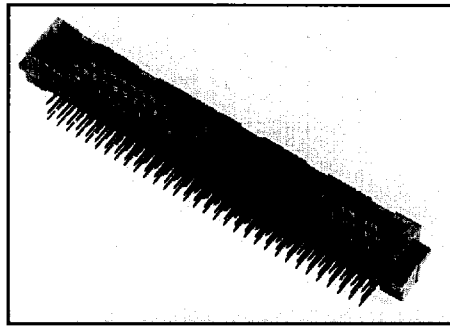


# DIN Styles B & C Standard 41612

## 6033 Series

## Pin Connector



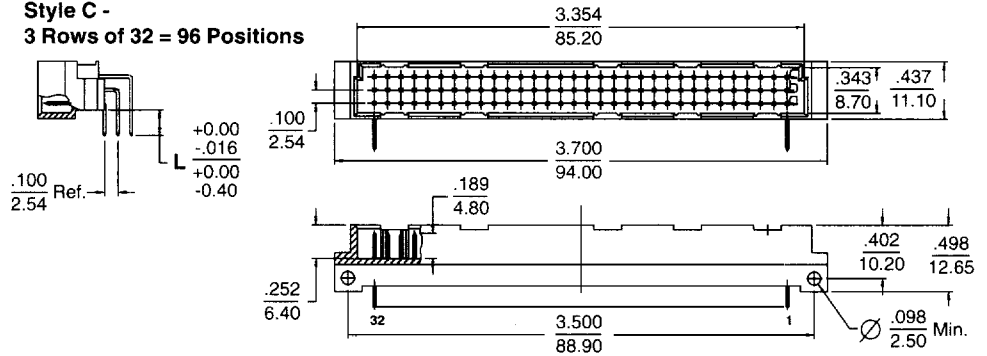
### Range of Applications - High Density Telecommunications Data Systems

Commonly referred to as "Standard DIN", this plug and receptacle is a very popular motherboard to daughterboard interconnect. The right angle plug connector is used on the daughterboard and the receptacle is mounted to the motherboard or backpanel. Popularity is reinforced by its characteristics of high density

(30 per inch in a 3-row configuration), cost effectiveness (compatible with edgecard), high reliability (serving telecommunications for over 15 years) and standardization (all products conforming to DIN 41612 are interchangeable and interchangeable).

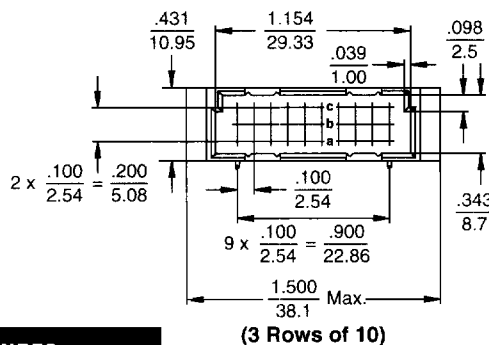
### OUTLINE

#### Style C - 3 Rows of 32 = 96 Positions

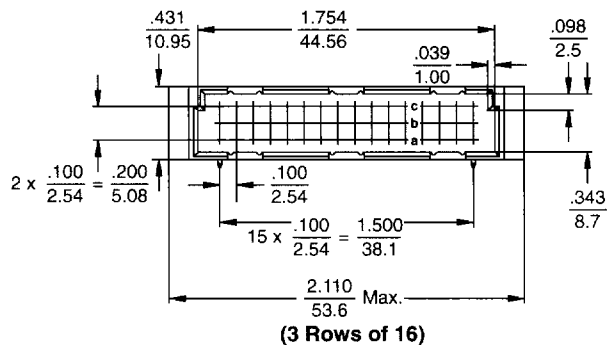


Catalog Number 96P603307310 Shown

#### Style Third C 3 Rows of 10 = 30 Positions



#### Style Half C 3 Rows of 16 = 48 Positions



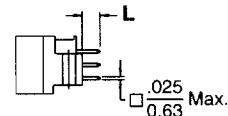
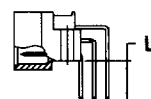
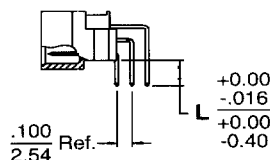
### TERMINATION TYPES

A wide termination selection of solder, wire wrap and compliant pins are available.

**DIP solder**  
termination codes 0 or 4  
**Right-angle press fit**  
termination code 9

**Mini wire wrap**  
termination codes 6 or 7

**Special DIP solder straight tail**  
termination code 3



For installation tooling, see page DN / 40

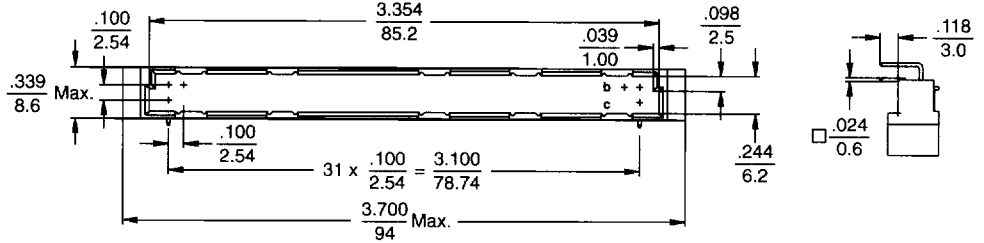
# DIN Styles B & C Standard 41612

## 6033 Series

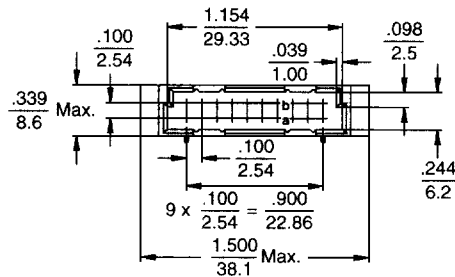
## Pin Connector

### OUTLINE

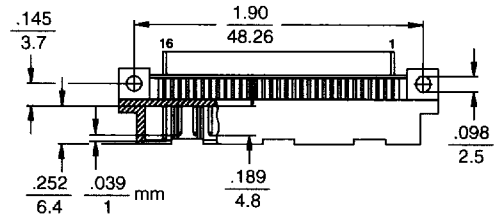
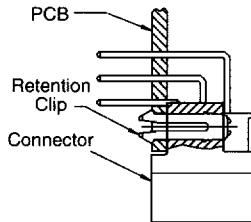
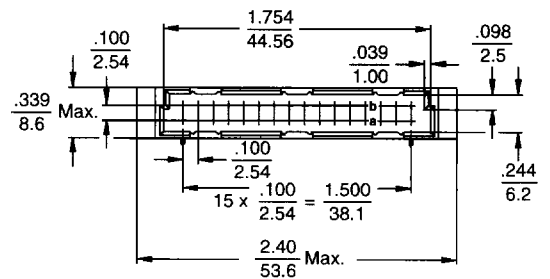
#### Style B 2 Rows of 32 = 64 Positions



#### Style B 2 Rows of 10 = 20 Positions



#### Style Half B 2 Rows of 16 = 32 Positions



### ORDERING INFORMATION

Example: 96P-6033-0731-0

96P 6033 07 31 0

#### Step 1

**Style:**  
20P = Third B  
2 x 10  
30P = Third C  
3 x 10  
32P = Half B  
2 x 16  
48P = Half C  
3 x 16  
64P = B-2 x 32  
96P = C-3 x 32

#### Step 2

**Series:**  
6033

#### Step 3

**Contact Configuration:**

Code	Contact Sequence	Row
01	All positions	A
04	All positions	A & B
05	All positions	A & C
07	All positions	A, B & C
14	Even positions	A & B
15	Even positions	A & C
17	Even positions	A, B & C

#### Step 4

**Performance Class:**

Code	Contact Area	Terminal
22	Class 1	Tin / Lead
31	Class 2	Tin / Lead

#### Step 5

**Termination:**

Code	Dip Solder
0	L = .118 (3 mm)
3	L = .133 (3.4 mm)
4	L = .173 (4.39 mm)

**Code Mini Wire Wrap**

6	L = .512 (13 mm)
7	L = .669 (17 mm)

**Code Right angle press-fit**

9	L = .134 (3.40 mm)
---	--------------------

#### Step 6

**Special Features:**

Code	Options
Blank	No special options
T	Retention clip installed for .063 (1.60) P.C.B.
R	Retention clip installed for .098 (2.49) P.C.B.
S	Retention clip installed for .125 (3.18) P.C.B.
E1	Outer Pins of Row A Extended
E3	Outer Pins of Row C Extended
E13	Outer Pins of Row A & C Extended

\*Note: Retention clip not available for use when termination code = 3

Recognized under the Component Program of Underwriters Laboratories Inc. File No. E31650



For specifications, see page DN / 1  
For P.C. Board hole patterns, see page DN / 42  
For installation tooling, see page DN / 40