

REVISION T

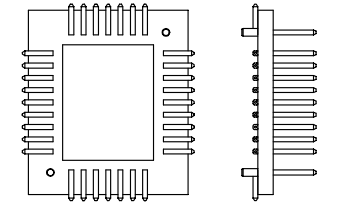
DO NOT SCALE FROM THIS PRINT

PARTS TO BE PACKAGED IN TUBES AS SHOWN (SEE TABLE 1)
(-S: SURFACE MOUNT ONLY)



UNLESS OTHERWISE NOTED
DIMENSIONS ARE IN INCHES
TOLERANCES ARE:
ONE PLACE DECIMALS ± .1 [3] THREE PLACE DECIMALS ± .005 [13]
TWO PLACE DECIMALS ± .01 [3] FOUR PLACE DECIMALS ± .0020 [051]
ANGLES ± 2°

TITLE: PLCC ADAPTOR ASSEMBLY
DWG NO: PLCA-XXX-XX-X-XX
SHEET 1 OF 1



PLCA-032-XX-S-A ONLY
ON -032, ALIGNMENT PINS SHOULD APPEAR AS SHOWN

PLCA-XXX-XX-X-XX

NO. OF POS. SEE TABLE 1 (USE PLCA-XXX)

OPTION

- TR: TAPE AND REEL PACKAGING (52 POSITIONS AND UNDER) (AVAILABLE FOR -S & -T MOUNTING OPTIONS)
- N: NO ALIGNMENT PIN
- A: ALIGNMENT PIN (USE PIN-06) (NOT AVAILABLE ON THRU HOLE)

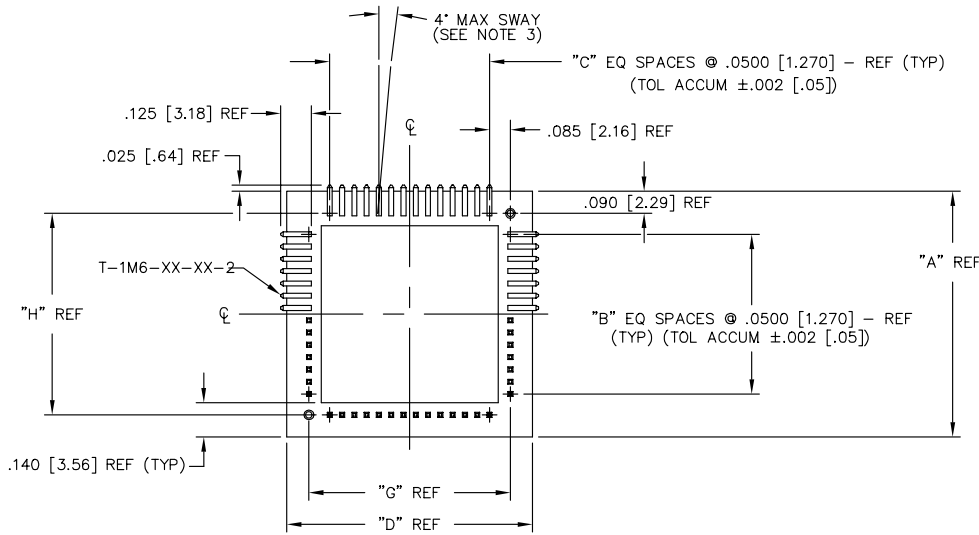
MOUNTING OPTION

- T: THROUGH HOLE (USE T-1M6-25-XX-2)
- S: SURFACE MOUNT (USE T-1M6-29-XX-2)

PLATING SPEC.

- T: TIN (USE TERMINAL T-1M6-XX-T-2)
- S: SELECTIVE (USE TERMINAL T-1M6-XX-S-2)
- TM: MATTE TIN (USE TERMINAL T-1M6-XX-T-2)
- SM: GOLD CONTACT/ MATTE TIN TAIL (USE TERMINAL T-1M6-XX-S-2)

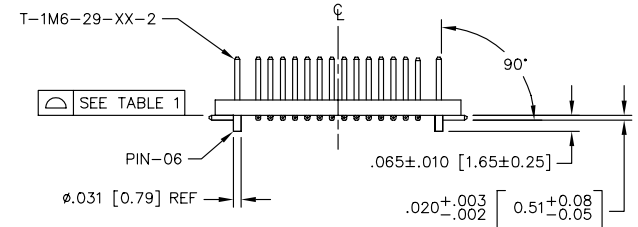
SURFACE MOUNT



THROUGH HOLE

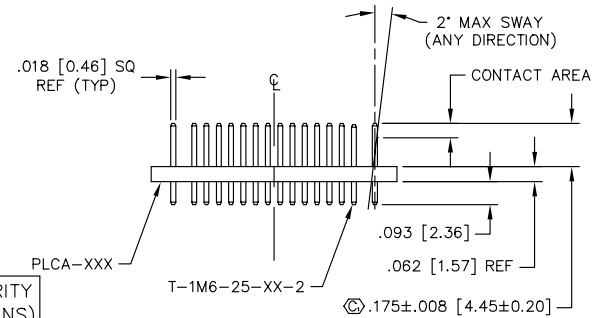
TABLE 1

XXX	"A"	"B"	"C"	"D"	"G"	"H"	PACKAGING TUBE	PLUG	COPLANARITY (TOP OF PINS)
020	.550 [13.97]	4	4	.550 [13.97]	.3700 [9.40]	.3700 [9.40]	PT-1-24-06-51	TP-13 (2)	.004 [.10]
028	.650 [16.51]	6	6	.650 [16.51]	.4700 [11.94]	.4700 [11.94]	PT-1-24-01-51	TP-13 (2)	.004 [.10]
032	.750 [19.05]	8	6	.650 [16.51]	.4700 [11.94]	.5700 [14.48]	PT-1-24-01-51	TP-13 (2)	.004 [.10]
044	.850 [21.59]	10	10	.850 [21.59]	.6700 [17.02]	.6700 [17.02]	PT-1-24-02-51	TP-13 (2)	.006 [.15]
052	.950 [24.13]	12	12	.950 [24.13]	.7700 [19.56]	.7700 [19.56]	PT-1-24-03-51	TP-13 (2)	.006 [.15]
068	1.150 [29.21]	16	16	1.150 [29.21]	.9700 [24.64]	.9700 [24.64]	PT-1-24-04-51	TP-13 (2)	.006 [.15]
084	1.350 [34.29]	20	20	1.350 [34.29]	1.1700 [29.72]	1.1700 [29.72]	PT-1-24-05-51	TP-25 (2)	.008 [.20]



SURFACE MOUNT

(SAME AS THROUGH HOLE, EXCEPT AS SHOWN)



THROUGH HOLE

NOTES:

- 1.) NOTE DELETED.
- 2.) © REPRESENTS A CRITICAL DIMENSION.
- 3.) LEADS IN ONE ROW MUST BE SWAYED THE SAME DIRECTION.

PROPRIETARY NOTE
THIS DOCUMENT CONTAINS INFORMATION CONFIDENTIAL AND PROPRIETARY TO SAMTEC INC. AND SHALL NOT BE REPRODUCED OR TRANSMITTED TO OTHER DOCUMENTS OR DISCLOSED TO OTHERS OR USED FOR ANY PURPOSE OTHER THAN THAT FOR WHICH IT WAS OBTAINED WITHOUT THE EXPRESSED WRITTEN CONSENT OF SAMTEC INC.

MATERIAL:
INSULATOR: NATURAL FR-4 EPOXY BOARD
UL RATED 94V-0
TERMINAL: SPRING TEMPER, PHOSPHOR BRONZE



EXISPROD\ASSEMBLY\PLCC PLCA-ASM
520 PARK EAST BLVD. NEW ALBANY, INDIANA 47150
PHONE (812) 944-6733 P.O. BOX 1147
CODE 55322

PLOT SCALE: 1 = .3333

MADE BY: BRYANT 02-04-91
CHECKED BY: ECKERT

ENG. APPROVAL P.A.E.

PLCA-XXX-XX-X-XX
SHEET 1 OF 1