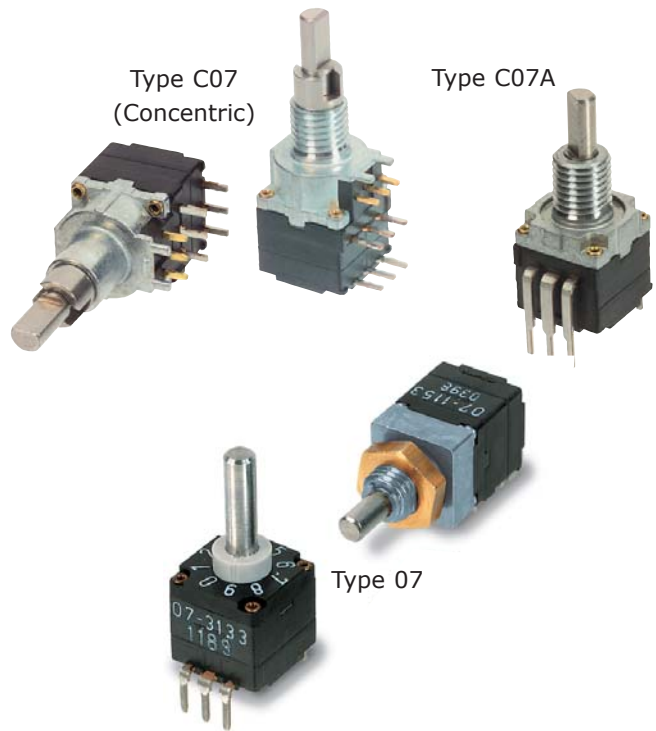


Coded Switches Overview

- rugged design
- lead free reflowable
- packaged for modern manufacturing methods
- easy to modify
- sealable up to IP 68 (2bar)

Our ability to adapt existing components to your application, makes Elma your preferred solution partner.



Technical Data

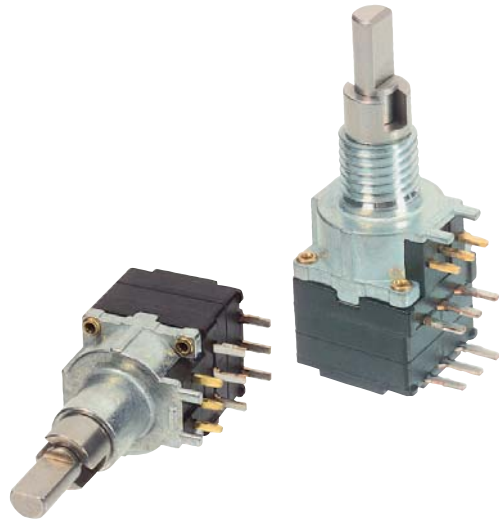
Designation	Type 07	Type C07A	Type C07 (Concentric)
Dimension	10 x 10 mm	10 x 10 mm	10 x 10 mm
Connection	THT (DIL)	THT (DIL)	THT (DIL)
Function (Code)	BCD (10 pos.) BCD compl. (10 pos.) HEX (16 pos.) HEX compl. (16 pos.) Gray Code 0 - F (16 pos.)	HEX (16 pos.) HEX compl. (16 pos.) Gray Code 0 - F (16 pos.)	HEX (16 pos.) Gray Code 0 - F (16 pos.) one pole 3 pos. center off
Indexing angle	22.5°, 36°	22.5°	22.5°
Processing	wave soldering reflow (on request)	wave soldering reflow(on request)	wave soldering reflow
Contact material	3µm gold plated	3µm gold plated	3µm gold plated
Life expectancy:			
Switching cycles	> 10'000 cycles	> 10'000 cycles	> 10'000 cycles 16 pos. > 7'500 cycles 3 pos.
Rotations			
Contact resistance	< 50 mΩ page 6-8	< 50 mΩ page 9	16 pos. and 3 pos. max 1Ω page 10-11
Technical Data	page 60-64	page 65-67	page 68-70

The following rugged switches are also available in coded (binary code) versions	Type 04	Type 06	Type 08
	coding 0-9 page 22	coding 0-11 page 24	coding 0-11 page 28

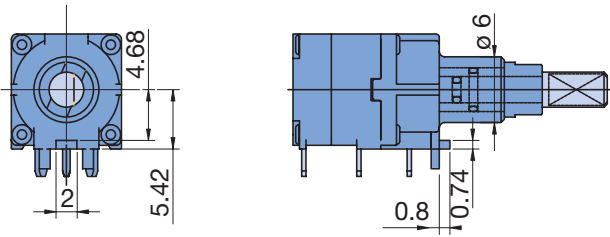
1 mm = 0.04 inch, 1 inch = 25.4 mm

Coded Switches Type C07 (Concentric)

- 16 position coded output one pole 3 pos. center off
- >10'000 switching cycles 16 pos.
>7'500 switching cycles 3 pos.
- small and rugged
- tape & reel
- leadfree reflowable
- steel spindle-shaft
- sealable up to IP 68 (2 bar, inner/outer shaft)

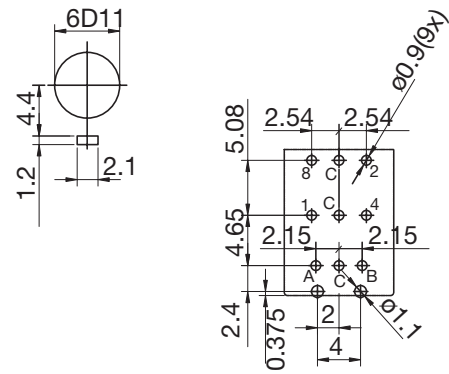


Horizontal

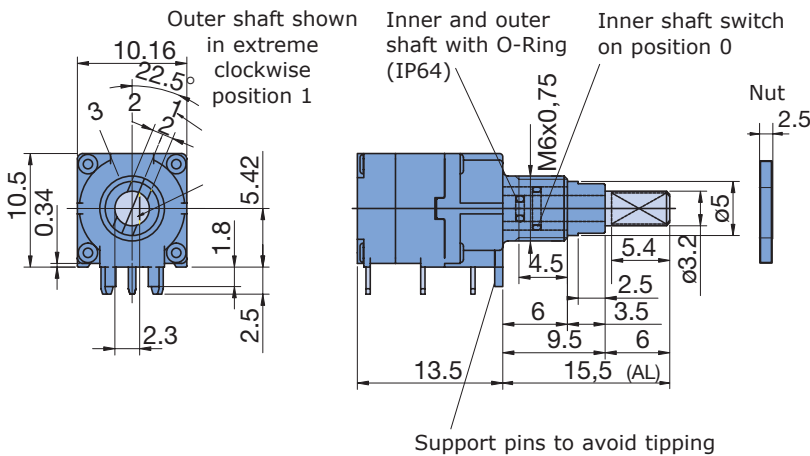


Front panel cut out

Drilling diagram view from component side



Horizontal for panel mounting



Front panel cut out



Horizontal

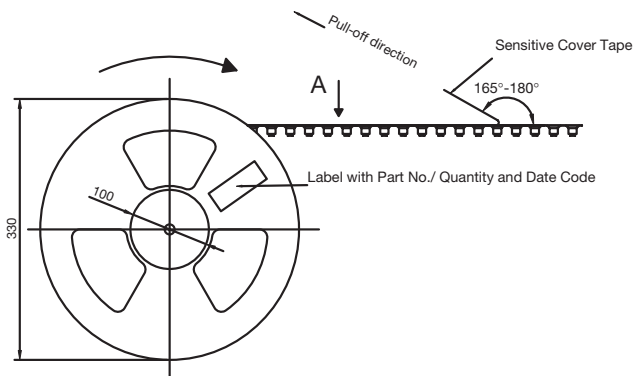
Coding	Switching function	Positions (with end stop)	Indexing angle	Tape & Reel (250 pcs)	Packaging (50 pcs)
HEX one pole 3 pos. center off	shorting shorting	16 3	22,5° 22,5°	C07-1153T	C07-1153
Gray Code one pole 3 pos. center off	shorting shorting	16 3	22,5° 22,5°	C07-1173T	C07-1173

Horizontal for panel mounting

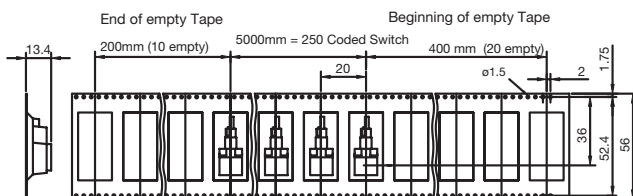
Coding	Switching function	Positions (with end stop)	Indexing angle	Tape & Reel (250pcs)	Packaging (50pcs)
HEX one pole 3 pos. center off	shorting shorting	16 3	22,5° 22,5°	C07-1153T200000	C07-1153-200000
Gray Code one pole 3 pos. center off	shorting shorting	16 3	22,5° 22,5°	C07-1173T200000	C07-1173-20

O-Ring and nut supplied

Tape & Reel Packaging



View A



Part conforms to EIA-481-B standards

Coding

Outer Shaft

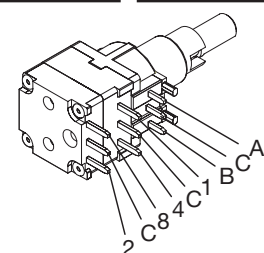
	A	B
1	●	
2		
3		●

Inner Shaft
Hexidecimal

	8	4	2	1
0				
1				●
2			●	
3			●	●
4	●			
5	●			●
6	●	●		
7	●	●	●	
8	●			
9	●			●
A	●		●	
B	●	●	●	
C	●	●		
D	●	●		●
E	●	●	●	
F	●	●	●	●

Inner Shaft
Gray Code

	8	4	2	1
0				
1				●
2			●	●
3			●	
4		●	●	
5		●	●	●
6		●		●
7		●		
8	●	●		
9	●	●		●
A	●	●	●	●
B	●	●	●	
C	●		●	
D	●	●		●
E	●			●
F	●			



1 mm = 0.04 inch, 1 inch = 25.4 mm