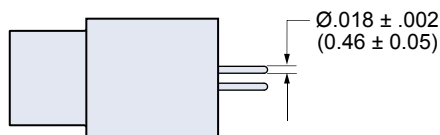
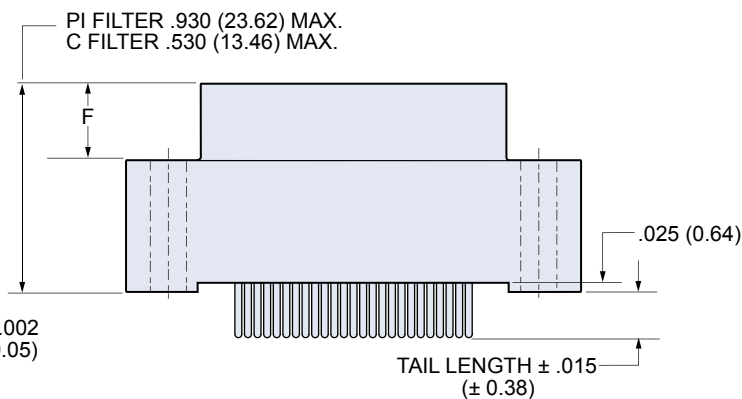
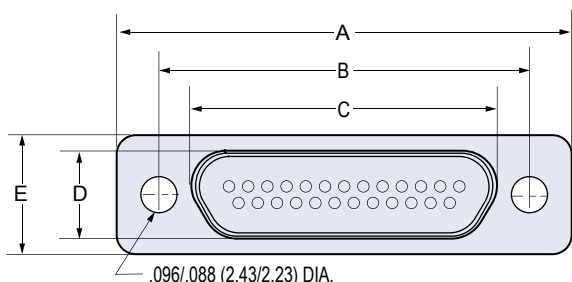
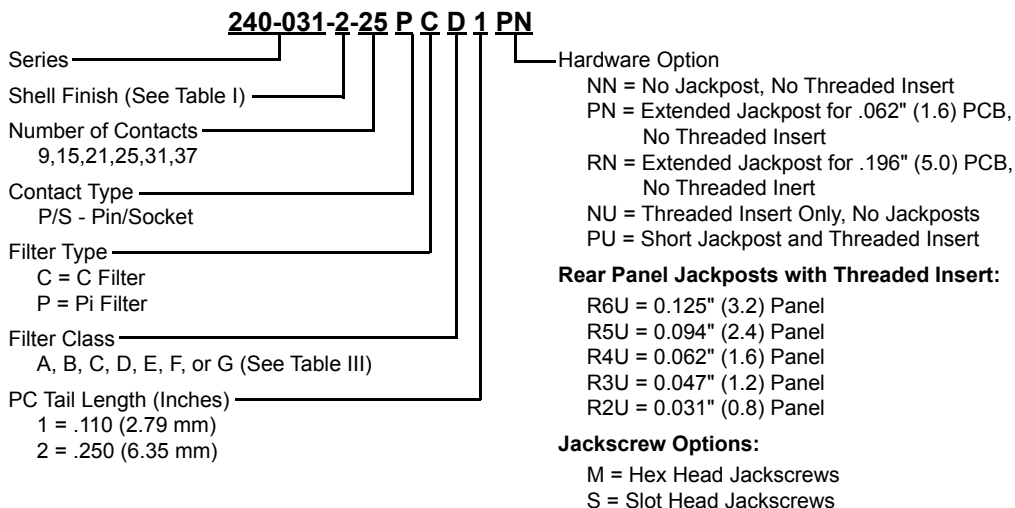


240-031 Micro-D Filter Connectors Vertical Mount PCB



Printed Circuit Board Micro-D Filter Connectors. These vertical mount PCB connectors are ideal for flexible circuit or motherboard applications.

Key Features include gold plated TwistPin contacts, machined aluminum shells, and either Pi or C filter elements. These environmentally sealed connectors are designed to meet the requirements of MIL-DTL-83513.

Integral Board Standoffs and Pre-Tinned Tails—These connectors are solder dipped (63/37 SnPb) and feature a full complement of mounting hardware options.

240-031
Micro-D Filter Connectors
Vertical Mount PCB



TABLE III: CAPACITOR ARRAY CODE CAPACITANCE RANGE*

CLASS	PI - SECTION (pF)	C - SECTION (pF)
A	38,000 - 56,000	19,000 - 28,000
B	32,000 - 45,000	16,000 - 22,500
C	18,000 - 33,000	9,000 - 16,500
D	8,000 - 12,000	4,000 - 6,000
E	3,300 - 5,000	1,650 - 2,500
F	800 - 1,300	400 - 650
G	400 - 600	200 - 300

TABLE I: SHELL FINISH

SYM	MATERIAL	FINISH DESCRIPTION
1	Aluminum	Cadmium
2	Aluminum	Nickel
3	Stainless Steel	Passivated
4	Aluminum	Black Anodize
5	Aluminum	Gold
6	Aluminum	Chem Film

MICRO-D FILTER CLASSES AND PERFORMANCE

Filter Class →	A	B	C	D	E	F	G									
Capacitance, Picofarads (pF)																
C Filter	19000-28000	16000-22500	9000-16500	4000-6000	1650-2500	400-650	200-300									
Pi Filter	38000-56000	32000-45000	18000-33000	8000-12000	3300-5000	800-1300	400-600									
Insertion Loss, dB Minimum, 25° C.																
Filter Type →	C		Pi		C		Pi		C		Pi		C		Pi	
1 MHz	6	10	5	8	3	5	—	1	—	—	—	—	—	—	—	—
10 MHz	24	40	23	35	16	25	8	14	4	8	—	2	—	—	0.8	—
100 MHz	41	62	39	60	35	57	28	50	21	40	10	15	5	13	—	—
500-1000 MHz	50	66	49	62	46	60	41	58	34	52	23	32	17	22	—	—

MICRO-D FILTER PIGTAIL DIMENSIONS

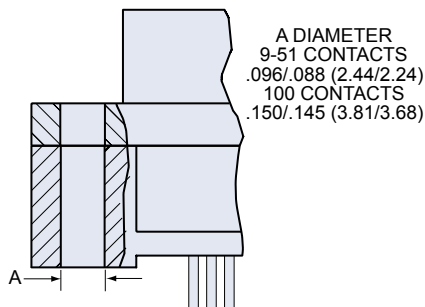
Layout	A Max.		B		C Max.		D Max.		E Max.		F	
	In.	mm.	In. ± .003	mm. ± 0.08	In.	mm.	In.	mm.	In.	mm.	In. ± .004	mm. ± 0.10
9P	.785	19.94	.565	14.35	.333	8.46	.184	4.67	.310	7.87	.183	4.65
9S	.785	19.94	.565	14.35	.400	10.16	.250	6.35	.310	7.87	.195	4.95
15P	.935	23.75	.715	18.16	.483	12.27	.184	4.67	.310	7.87	.183	4.65
15S	.935	23.75	.715	18.16	.551	14.00	.250	6.35	.310	7.87	.195	4.95
21P	1.085	27.56	.865	21.97	.633	16.08	.184	4.67	.310	7.87	.183	4.65
21S	1.085	27.56	.865	21.97	.701	17.81	.250	6.35	.310	7.87	.195	4.95
25P	1.185	30.01	.965	24.51	.733	18.62	.184	4.67	.310	7.87	.183	4.65
25S	1.185	30.01	.965	24.51	.801	20.35	.250	6.35	.310	7.87	.195	4.95
31P	1.335	33.91	1.115	28.32	.883	22.43	.184	4.67	.310	7.87	.183	4.65
31S	1.335	33.91	1.115	28.32	.951	24.16	.250	6.35	.310	7.87	.195	4.95
37P	1.485	37.72	1.265	32.13	1.033	26.24	.184	4.67	.310	7.87	.183	4.65
37S	1.485	37.72	1.265	32.13	1.101	27.96	.250	6.35	.310	7.87	.195	4.95



240-031
Micro-D Filter Connectors
Vertical Mount PCB Hardware Options

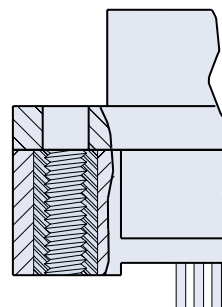
Connector Supplied Without Hardware

Connector Supplied With Threaded Inserts



A DIAMETER
9-51 CONTACTS
.096/ .088 (2.44/2.24)
100 CONTACTS
.150/ .145 (3.81/3.68)

NN Style
Thru-Hole, No Hardware

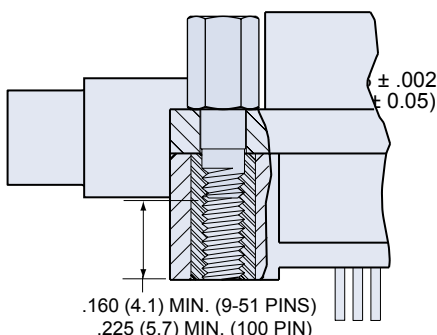


9-51 CONTACTS
NO. 2-56 UNC-2B
100 CONTACTS
NO. 4-40 UNC-2B

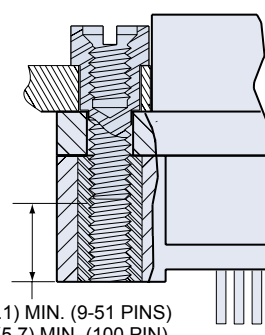
NU Style
Threaded Insert

Jackpost and Threaded Insert

Rear Panel Jackpost and Threaded Insert



PU Style
Jackpost with Threaded Insert

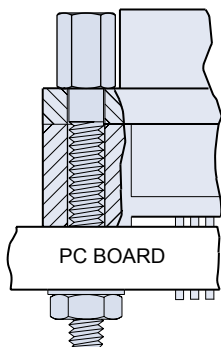


RU Style
Rear Panel Jackpost with Threaded Insert

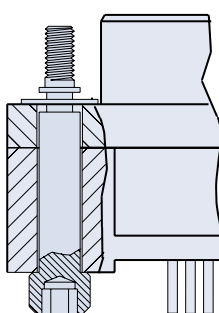
Extended Jackpost

Jackscrew, Hex

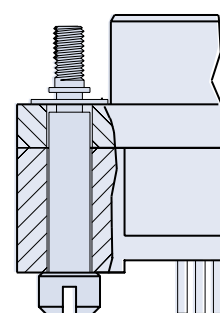
Jackscrew, Slot



PN Style for .062" PCB
RN Style for .196" PCB



M Style
Hex Head Jackscrew with E-Ring

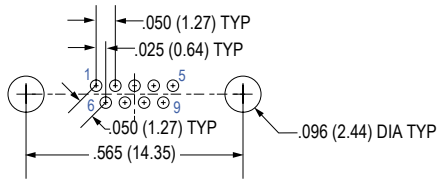


S Style
Slot Head Jackscrew with E-Ring

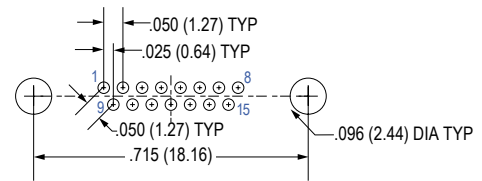
240-031
Micro-D Filter Connectors
Vertical Mount PCB Pin Connector Layouts



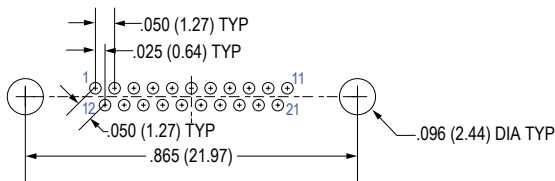
PC Tail Diameter .018 ± .002 (0.46 ± 0.05)
Contact numbers shown are for pin connectors. Reverse for socket.



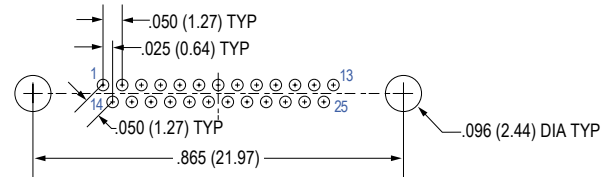
9 Contacts



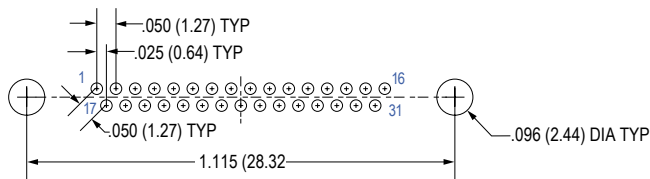
15 Contacts



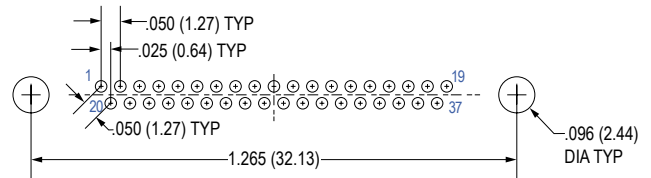
21 Contacts



25 Contacts



31 Contacts



37 Contacts