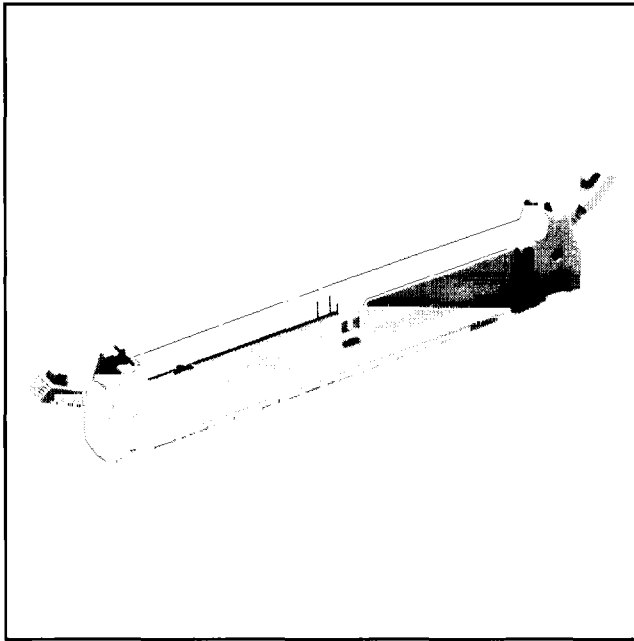


.100" x .100" Right Angle Header

4 Wall, MIL-C-83503/24 Qualified



- Meets all dimensional and performance requirements of MIL-C-83503
- Mounting holes for securing header to board
- 4 wall shrouded to resist physical and chemical pin damage
- Solder tail and wrap post tail options

167

TS-0306-04
Sheet 1 of 3

Physical

Insulation

Material: Glass Filled Polyester (PBT) Per MIL-M-24519
Flammability: UL 94V-0
Color: Gray

Contact

Material: Phosphor Bronze Per QQ-B-750
Plating
Underplate: 100 μ " [2.54 μ m] Nickel — QQ-N-290, Class 2
Wiping Area: 50 μ " [1.27 μ m] Gold — MIL-G-45204, Type II, Grade C, Class I
Solder Tails: 200 μ " [5.08 μ m] Tin Lead — MIL-P-81728
Wrappost: 50 μ " [1.27 μ m] Gold — MIL-G-45204, Type II, Grade C, Class I
Marking: 3M Logo, Part Identification Number and Orientation Triangle

Electrical

Current Rating: 1 A
Insulation Resistance: $> 1 \times 10^9 \Omega$ at 500 VDC
Withstanding Voltage: 1000 Vrms to Sea Level

Environmental

Temperature Rating: -55°C to $+120^\circ\text{C}$

CAGE (FSCM) No.: 53387
UL File No.: E68080
CSA File No.: LR 40791

3M Electronic Products Division

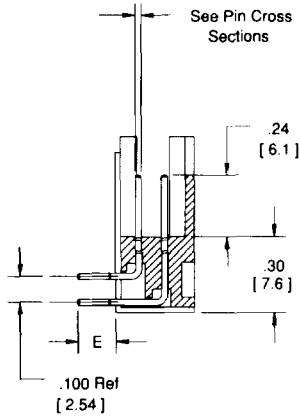
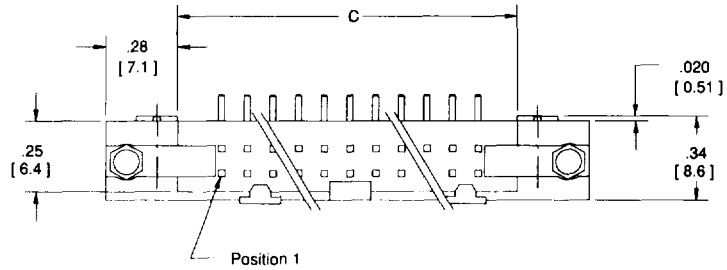
6801 River Place Blvd.
Austin, TX 78726-9000

.100" x .100" Right Angle Header

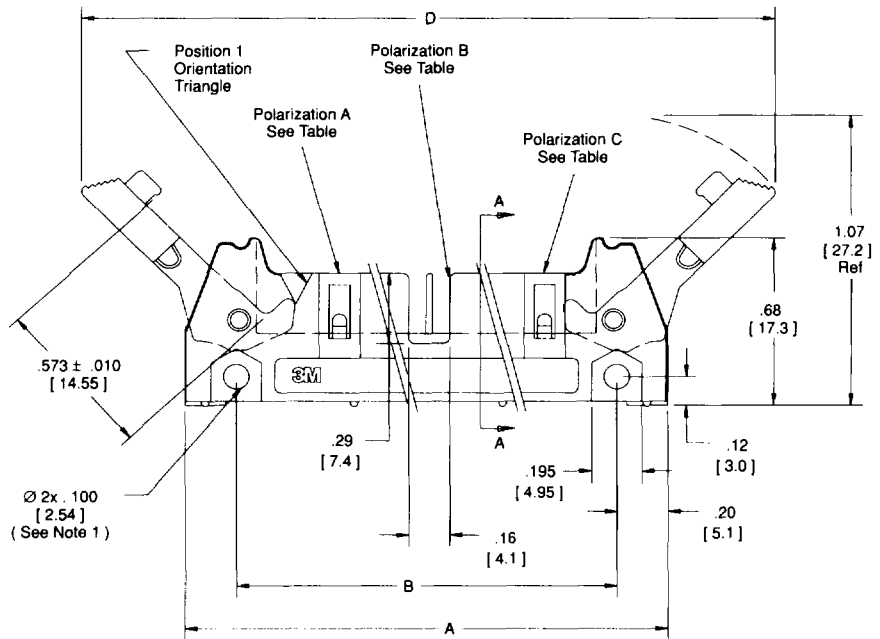
4 Wall, MIL-C-83503/24 Qualified



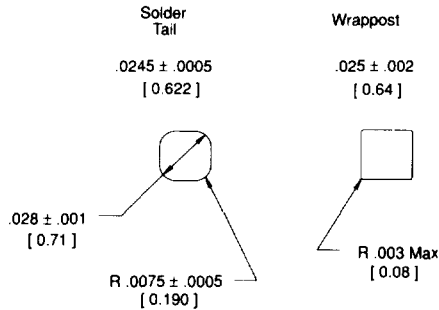
Sheet 2 of 3



Section A-A



Pin Cross Sections



Tolerance Unless Noted			
Inch	±.1	±.01	±.005
.0	.00	.000	

[] Dimensions for Reference Only

TS-0306-04

3M Electronic Products Division

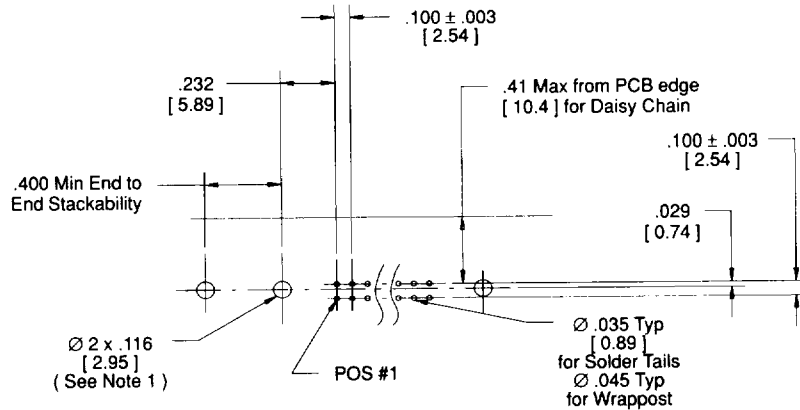
6801 River Place Blvd.
Austin, TX 78726-9000

.100" x .100" Right Angle Header

4 Wall, MIL-C-83503/24 Qualified

Sheet 3 of 3

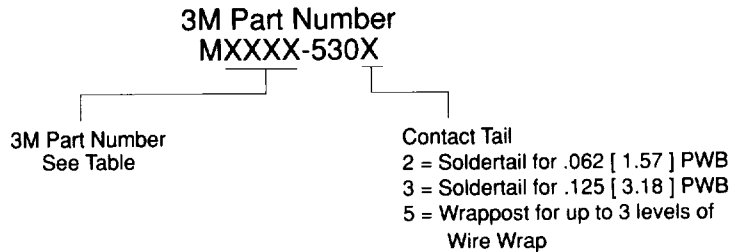
Pos	3M Part Number	Military Part Number	Dimension					Polarization Features Provided
			A	B	C	D Ref	E ± .013	
14	M3314-5302 -5303 -5305	M83503/24-04 /24-05 /24-06	1.46 [37.1]	1.06 [26.9]	.91 [23.1]	2.38 [60.5]	.102 [2.59] .165 [4.19] .61 [15.5] Ref	B C
16	M3408-5302 -5303 -5305	M83503/24-07 /24-08 /24-09	1.56 [39.6]	1.16 [29.5]	1.01 [25.7]	2.48 [63.0]	.102 [2.59] .165 [4.19] .61 [15.5] Ref	A B C
20	M3428-5302 -5303 -5305	M83503/24-10 /24-11 /24-12	1.76 [44.7]	1.36 [34.5]	1.21 [30.7]	2.68 [68.1]	.102 [2.59] .165 [4.19] .61 [15.5] Ref	A B C
26	M3429-5302 -5303 -5305	M83503/24-13 /24-14 /24-15	2.06 [52.3]	1.66 [42.2]	1.51 [38.4]	2.98 [75.7]	.102 [2.59] .165 [4.19] .61 [15.5] Ref	A B C
34	M3431-5302 -5303 -5305	M83503/24-16 /24-17 /24-18	2.46 [62.5]	2.06 [52.3]	1.91 [48.5]	3.38 [85.9]	.102 [2.59] .165 [4.19] .61 [15.5] Ref	A B C
40	M3432-5302 -5303 -5305	M83503/24-19 /24-20 /24-21	2.76 [70.1]	2.36 [59.9]	2.21 [56.1]	3.68 [93.5]	.102 [2.59] .165 [4.19] .61 [15.5] Ref	A B C
50	M3433-5302 -5303 -5305	M83503/24-22 /24-23 /24-24	3.26 [82.8]	2.86 [72.6]	2.71 [68.8]	4.18 [106.2]	.102 [2.59] .165 [4.19] .61 [15.5] Ref	A B C
60	M3372-5302 -5303 -5305	M83503/24-25 /24-26 /24-27	3.76 [95.5]	3.36 [85.3]	3.21 [81.5]	4.68 [118.9]	.102 [2.59] .165 [4.19] .61 [15.5] Ref	A B C



Recommended Mounting Hole Pattern

TS-0306-04

Ordering Information



3M Electronic Products Division

6801 River Place Blvd.
Austin, TX 78726-9000