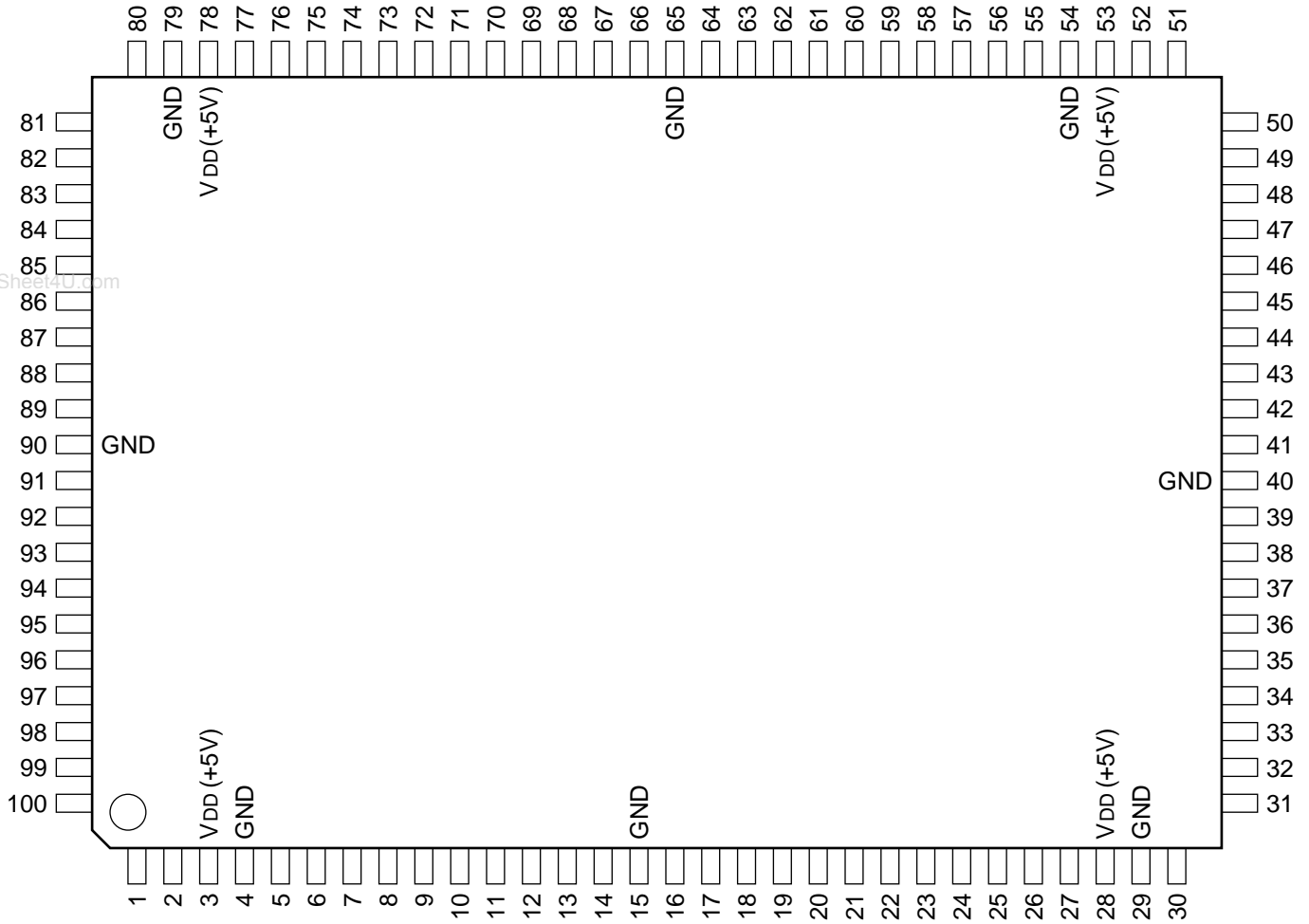


\*\*\*\*\*

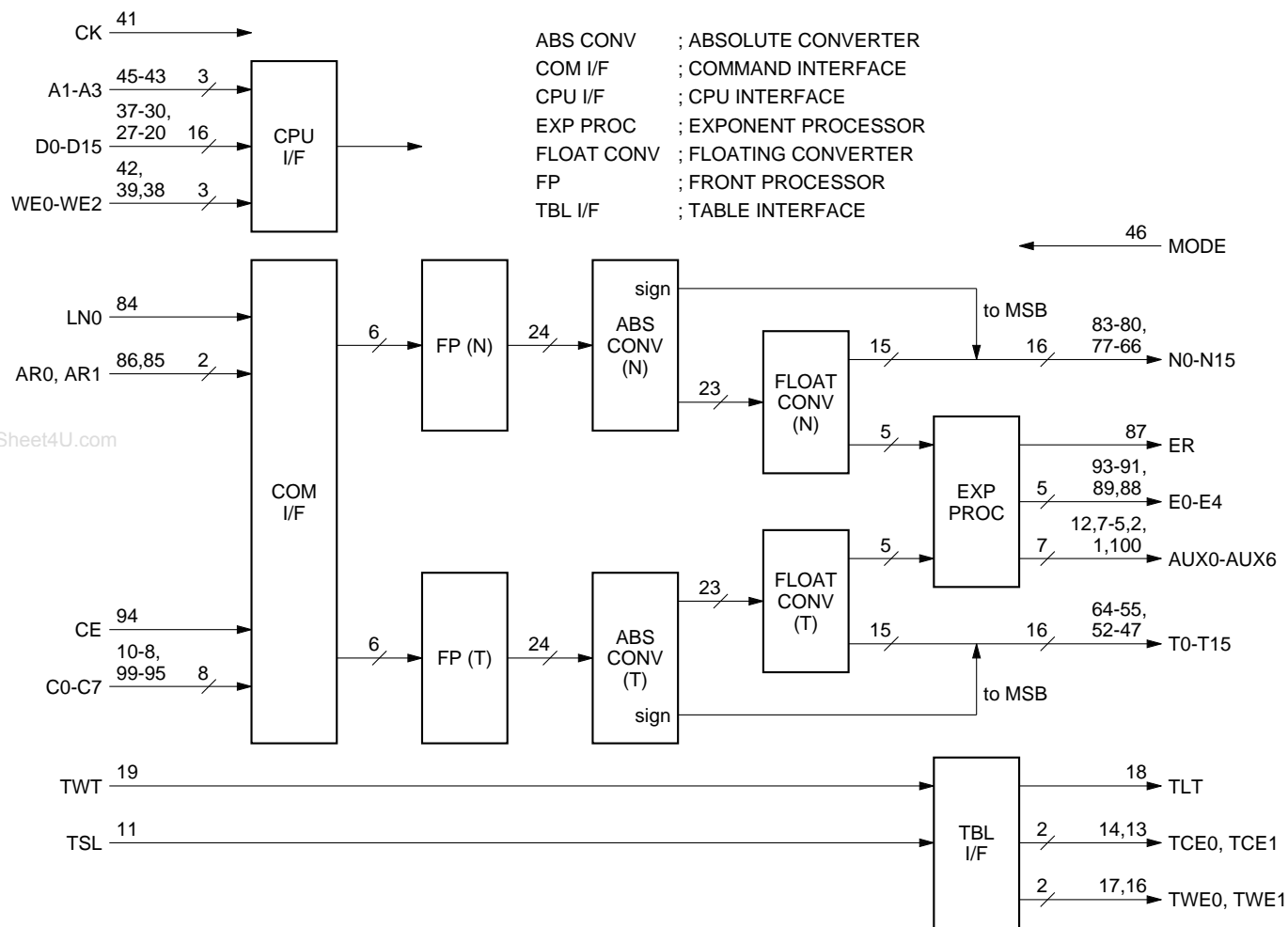
### C-MOS ADDRESS ARITHMETIC PROCESSOR - TOP VIEW -



(V<sub>DD</sub> = +5V)

| PIN No. | I/O | SIGNAL          | PIN No. | I/O | SIGNAL          | PIN No. | I/O | SIGNAL          | PIN No. | I/O | SIGNAL          |
|---------|-----|-----------------|---------|-----|-----------------|---------|-----|-----------------|---------|-----|-----------------|
| 1       | O   | AUX5            | 26      | I   | D9              | 51      | O   | T11             | 76      | O   | N5              |
| 2       | O   | AUX4            | 27      | I   | D8              | 52      | O   | T10             | 77      | O   | N4              |
| 3       | –   | V <sub>DD</sub> | 28      | –   | V <sub>DD</sub> | 53      | –   | V <sub>DD</sub> | 78      | –   | V <sub>DD</sub> |
| 4       | –   | GND             | 29      | –   | GND             | 54      | –   | GND             | 79      | –   | GND             |
| 5       | O   | AUX3            | 30      | I   | D7              | 55      | O   | T9              | 80      | O   | N3              |
| 6       | O   | AUX2            | 31      | I   | D6              | 56      | O   | T8              | 81      | O   | N2              |
| 7       | O   | AUX1            | 32      | I   | D5              | 57      | O   | T7              | 82      | O   | N1              |
| 8       | I   | C2              | 33      | I   | D4              | 58      | O   | T6              | 83      | O   | N0              |
| 9       | I   | C1              | 34      | I   | D3              | 59      | O   | T5              | 84      | I   | LN0             |
| 10      | I   | C0              | 35      | I   | D2              | 60      | O   | T4              | 85      | I   | AR1             |
| 11      | I   | TSL             | 36      | I   | D1              | 61      | O   | T3              | 86      | I   | AR0             |
| 12      | O   | AUX0            | 37      | I   | D0              | 62      | O   | T2              | 87      | O   | ER              |
| 13      | O   | TCE1            | 38      | I   | WE2             | 63      | O   | T1              | 88      | O   | E4              |
| 14      | O   | TCE0            | 39      | I   | WE1             | 64      | O   | T0              | 89      | O   | E3              |
| 15      | –   | GND             | 40      | –   | GND             | 65      | –   | GND             | 90      | –   | GND             |
| 16      | O   | TWE1            | 41      | I   | CK              | 66      | O   | N15             | 91      | O   | E2              |
| 17      | O   | TWE0            | 42      | I   | WE0             | 67      | O   | N14             | 92      | O   | E1              |
| 18      | O   | TLT             | 43      | I   | A3              | 68      | O   | N13             | 93      | O   | E0              |
| 19      | I   | TWT             | 44      | I   | A2              | 69      | O   | N12             | 94      | I   | CE              |
| 20      | I   | D15             | 45      | I   | A1              | 70      | O   | N11             | 95      | I   | C7              |
| 21      | I   | D14             | 46      | I   | MODE            | 71      | O   | N10             | 96      | I   | C6              |
| 22      | I   | D13             | 47      | O   | T15             | 72      | O   | N9              | 97      | I   | C5              |
| 23      | I   | D12             | 48      | O   | T14             | 73      | O   | N8              | 98      | I   | C4              |
| 24      | I   | D11             | 49      | O   | T13             | 74      | O   | N7              | 99      | I   | C3              |
| 25      | I   | D10             | 50      | O   | T12             | 75      | O   | N6              | 100     | O   | AUX6            |

|    |     |      |     |  |
|----|-----|------|-----|--|
| 45 | A1  | N0   | 83  |  |
| 44 | A2  | N1   | 82  |  |
| 43 | A3  | N2   | 81  |  |
|    |     | N3   | 80  |  |
| 37 | D0  | N4   | 77  |  |
| 36 | D1  | N5   | 76  |  |
| 35 | D2  | N6   | 75  | INPUT  |
| 34 | D3  | N7   | 74  | A1-A3 ; ADDRESS  |
| 33 | D4  | N8   | 73  | AR0, AR1 ; FP (FRONT PROCESSOR) CONTROL SIGNAL (AREA) AT |
| 32 | D5  | N9   | 72  | COMMAND INTERFACE MODE                                   |
| 31 | D6  | N10  | 71  | C0-C7 ; FP (FRONT PROCESSOR) CONTROL COMMAND AT          |
| 30 | D7  | N11  | 70  | COMMAND DIRECT MODE                                      |
| 27 | D8  | N12  | 69  | CE ; FP (FRONT PROCESSOR) CONTROL COMMAND ENABLE         |
| 26 | D9  | N13  | 68  | CK ; CLOCK   |
| 25 | D10 | N14  | 67  | D0-D15 ; DATA  |
| 24 | D11 | N15  | 66  | LN0 ; FP (FRONT PROCESSOR) CONTROL SIGNAL (LINE) AT      |
| 23 | D12 | T0   | 64  | COMMAND INTERFACE MODE                                   |
| 22 | D13 | T1   | 63  | MODE ; OPERATING MODE SELECT                             |
| 21 | D14 | T2   | 62  | TSL ; TABLE RAM BANK SELECT                              |
| 20 | D15 | T3   | 61  | TWT ; TABLE RAM WRITE TRIGGER                            |
|    |     | T4   | 60  | WE0-WE2 ; WRITE ENABLE                                   |
| 42 | WE0 | T5   | 59  |  |
| 39 | WE1 | T6   | 58  | OUTPUT   |
| 38 | WE2 | T7   | 57  | AUX ; GENERAL PURPOSE REGISTER DATA                      |
|    |     | T8   | 56  | E0-E4 ; EXPONENT PART DATA                               |
| 84 | LN0 | T9   | 55  | ER ; ARITHMETIC STATUS                                   |
|    |     | T10  | 52  | N0-N15 ; N SYSTEM ARITHMETIC SIGNAL                      |
| 86 | AR0 | T11  | 51  | T0-T15 ; T SYSTEM ARITHMETIC SIGNAL                      |
| 85 | AR1 | T12  | 50  | TCE0, TCE1 ; TABLE RAM CHIP ENABLE                       |
|    |     | T13  | 49  | TLT ; TABLE RAM ADDRESS AND DATA BUS LACH                |
| 94 | CE  | T14  | 48  | TWE0, TWE1 ; TABLE RAM WRITE ENABLE                      |
|    |     | T15  | 47  |  |
| 10 | C0  | ER   | 87  |  |
| 9  | C1  | E0   | 93  |  |
| 8  | C2  | E1   | 92  |  |
| 99 | C3  | E2   | 91  |  |
| 98 | C4  | E3   | 89  |  |
| 97 | C5  | E4   | 88  |  |
| 96 | C6  | AUX0 | 12  |  |
| 95 | C7  | AUX1 | 7   |  |
|    |     | AUX2 | 6   |  |
|    |     | AUX3 | 5   |  |
|    |     | AUX4 | 2   |  |
|    |     | AUX5 | 1   |  |
|    |     | AUX6 | 100 |  |
| 19 | TWT | TLT  | 18  |  |
| 11 | TSL | TCE0 | 14  |  |
|    |     | TCE1 | 13  |  |
| 46 | MOD | TWE0 | 17  |  |
| 41 | >   | TWE1 | 16  |  |



www.DataSheet4U.com