

Fig. 1

- Male jumpers are available with or without insulator and have .022" diameter pins with .1", .2" or .3" center spacing.
- Female color coded shunts are offered in closed, and open insulators for longer pins.

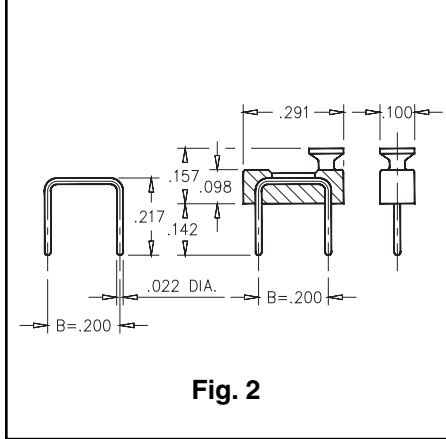


Fig. 2

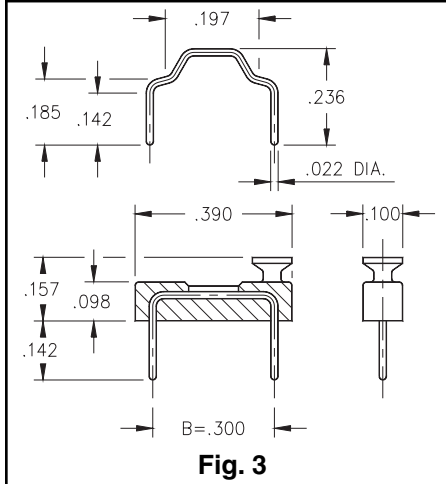


Fig. 3

Ordering Information

Fig. 1	Male Jumper .100" Spacing	
	Platings	
	10μ" Au	200μ" Sn/Pb
Color / Style		
Black	999-11-210-10-000	999-11-210-90-000
Red	999-11-210-11-000	999-11-210-91-000
Not Insulated	999-11-110-10-000	999-11-110-90-000

Fig. 2	Male Jumper .200" Spacing	
	Platings	
	10μ" Au	200μ" Sn/Pb
Color / Style		
Black	999-11-220-10-000	999-11-220-90-000
Red	999-11-220-11-000	999-11-220-91-000
Not Insulated	999-11-112-10-000	999-11-112-90-000

Fig. 3	Male Jumper .300" Spacing	
	Platings	
	10μ" Au	200μ" Sn/Pb
Color / Style		
Black	999-11-230-10-000	999-11-230-90-000
Red	999-11-230-11-000	999-11-230-91-000
Not Insulated	999-11-113-10-000	999-11-113-90-000

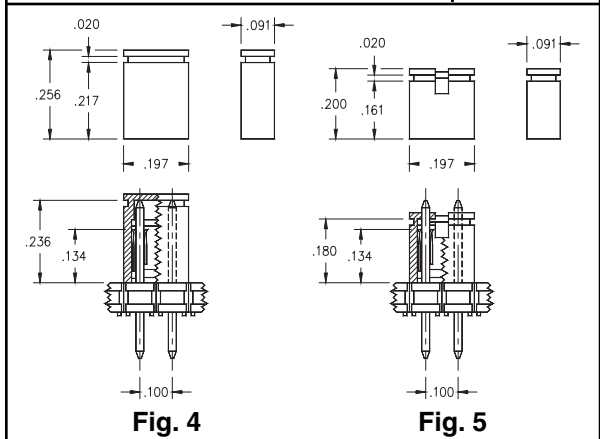


Fig. 4

Fig. 5

SHUNTS
For .025" Square Headers

Color	Closed Insulator	Open Insulator
Black	999-XX-210-00-000	999-XX-310-00-000
Red	999-XX-210-02-000	999-XX-310-02-000
Blue	999-XX-210-06-000	999-XX-310-06-000

Specify Plating Code XX=
19 = 10μ" Selective Gold