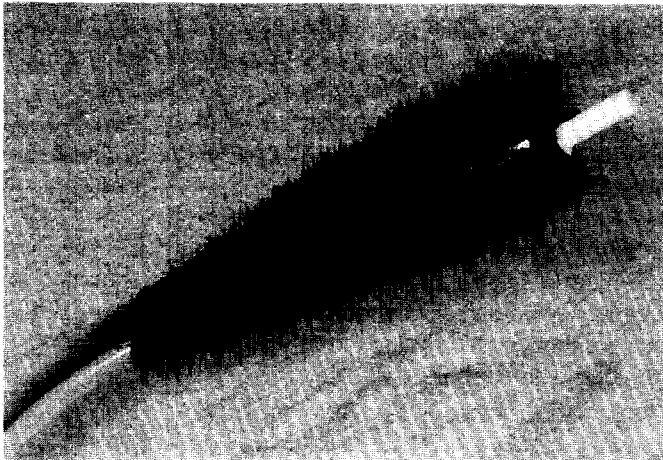


# 908 Series MST (ST® Style) Fiber Optic Connectors



## Features

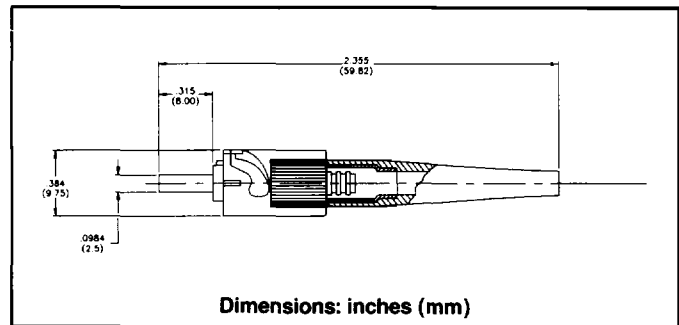
- Coupling nut radial track minimizes the rotation needed to mate the connector
- Single mode and multimode versions available
- Accommodates tight and loose tube buffer cables with jacket ODs up to 4.5 mm
- Ceramic ferrules are configured for easy hand or machine PC and "Super" PC polishing
- Optional boot colors available: blue, white, red, beige (in addition to standard black, gray, and yellow boots)
- Polymer ferrule pedestal supports fiber during polishing — no epoxy bead
- Polymer ferrules are available for a variety of fiber sizes from 125 micron to 1.1 mm cladding diameter
- Standard .178", .151" hex crimp
- Tested in accordance with Bellcore TR-TSY-000326
- Universal dust cap with lanyard (fits ST, SC, and FC connectors)

Methode 908 Series ST® Style interconnects are optically and mechanically intermateable with AT&T ST® products and all other functional equivalents.

MST connectors feature a precision-molded reinforced composite polymer body construction for superior environmental toughness, corrosion and chemical resistance, and dimensional stability in comparison to conventional cast metal materials.

The MST connector rear body has a universal configuration which accommodates all tight and loose tube buffer cables and breakout kits with O.D.s from 250 microns up to 4.5 mm.

Methode offers the MST with a variety of ceramic and polymer (LCP) fiber alignment ferrules, hole sizes, and bond relief boot colors. Methode's unique universal dust cap with lanyard makes sure that protection stays with your connection throughout its service life. Whether the application is indoor, outdoor, communications networking, or biomedical, Methode has an MST to closely match your fiber size, performance requirements, and budget.



ST® Connector Termination Kit (US): 900-118-3010  
 ST® Connector Termination Kit, 220V: 900-118-3014  
 ST® Connector Polishing Disk: 900-118-9002  
 ST® Termination Video Tape (US): 900-118-9004  
 ST® Termination Video Tape (European): 900-118-9005

Consumables Replacement Kit  
 (100 Terminations): 900-118-9017  
 "Super" PC Polishing Consumables  
 Replacement Kit (500 Terminations): 900-118-9020

## Performance Characteristics

Ferrule Type	Fiber Size (microns)	Insertion Loss (dB)		Operating Temperature (°C)	Part Number (Individually Packaged)*
		Typical	Max Increase 500 Cycles		
Ceramic (Zirconia)	9/125	<0.2	<0.1	-40 to +85	O3-002-1
Ceramic	62.5/125	<0.2	<0.1	-40 to +85	Q3-002-3
Ceramic	62.5/125+	<0.4	<0.1		Q3-503-3
Polymer	62.5/125	<0.4	<0.1	-40 to +85	R3-002-3
Polymer	62.5/125+	<0.4	<0.1		R3-002-4
Polymer	100/140	<0.3	<0.1		R3-002-5
Polymer	230	<0.3	<0.1		R3-002-6
Polymer	500	<0.3	<0.1		R3-002-7
Polymer	1,000	<0.3	<0.1		R3-002-8

\*For bulk packaging, add "-B" suffix to part number. For connectors with traditional dust cap rather than universal dust cap with lanyard add "N" suffix.

®Registered trademark of AT&T